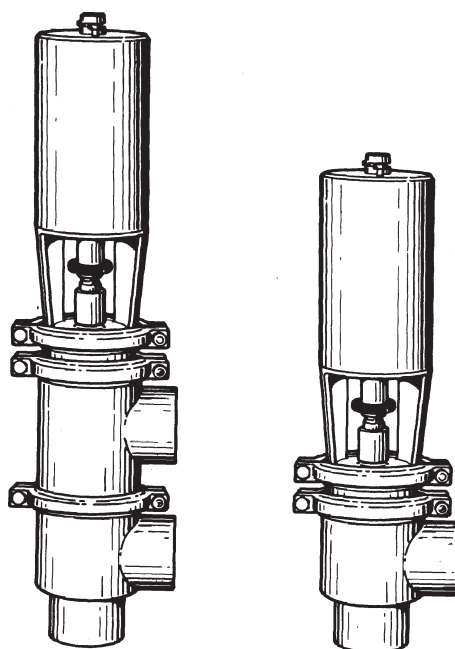


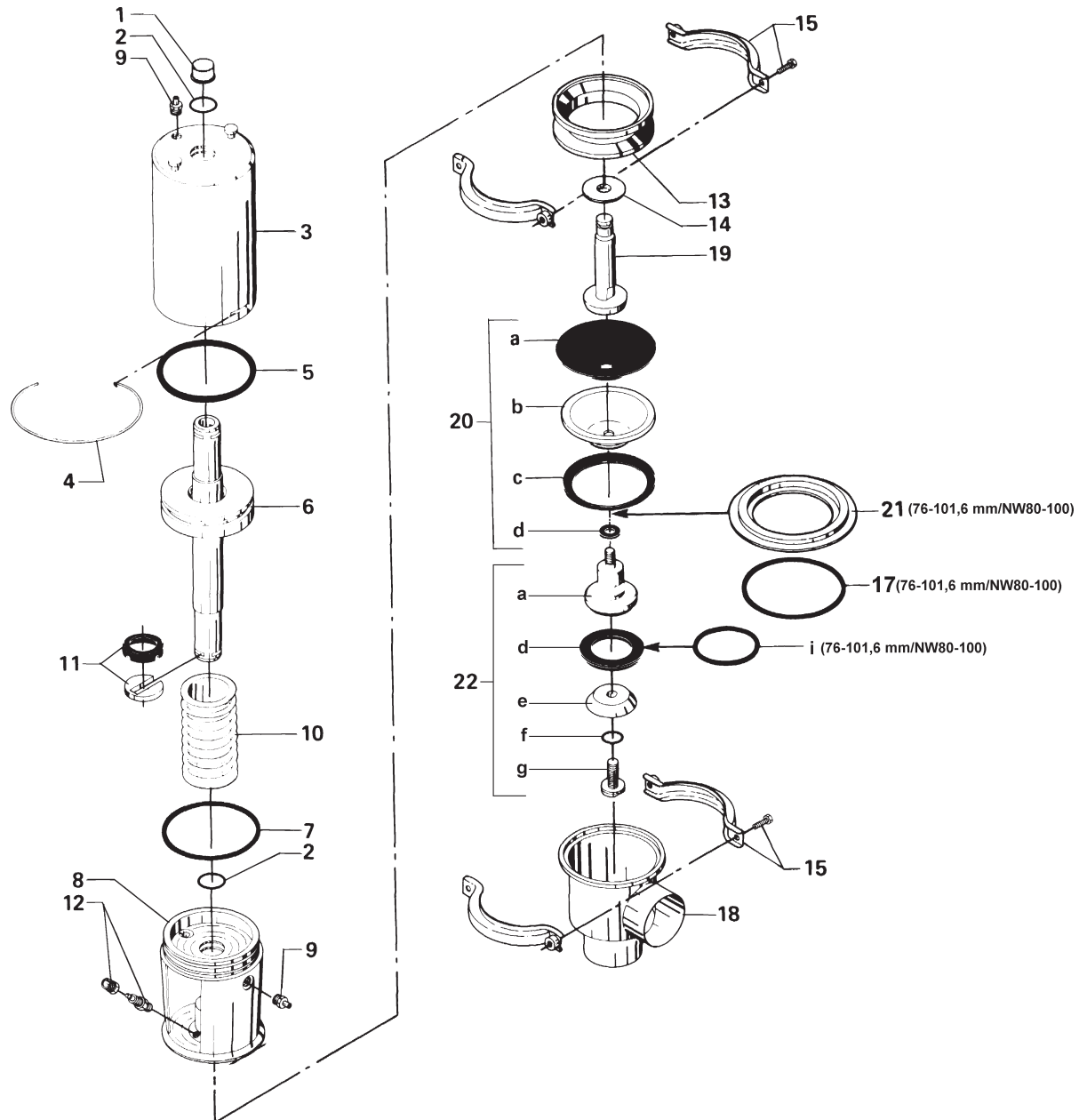
**Spare Parts**

# ARC Aseptic Remote-Controlled Valve with PTFE diaphragm



# Aseptic Remote Controlled Valve Type ARC - Stop Valve

2



# Aseptic Remote Controlled Valve Type ARC - Stop Valve

Pos.

3

## Actuator

Qty.	Denomination	DN40 38 mm	DN50 51 mm	DN65 63.5 mm	76 mm	DN80	DN 100 101.6 mm
	Actuator -1, complete .....	31353-0206-4	31353-0206-4	31353-0206-4	31353-0214-4	31353-0214-4	31353-0214-4
	Actuator -2, complete .....	31353-0206-6	31353-0206-6	31353-0206-6	31353-0214-6	31353-0214-6	31353-0214-6
	Actuator -3, complete .....	31353-0206-7	31353-0206-7	31353-0206-7	31353-0214-7	31353-0214-7	31353-0214-7
1	Cap .....	31801-0525-6	31801-0525-6	31801-0525-6	31801-0525-5	31801-0525-5	31801-0525-5
2Δ	O-ring .....	223406-25	223406-25	223406-25	223406-49	223406-49	223406-49
3	Cylinder .....	31353-0139-1	31353-0139-1	31353-0139-1	31353-0185-1	31353-0185-1	31353-0185-1
4Δ	Lock wire .....	31353-0151-1	31353-0151-1	31353-0151-1	31353-0189-1	31353-0189-1	31353-0189-1
5Δ	O-ring .....	223401-74	223401-74	223401-74	223401-75	223401-75	223401-75
6	Piston -1, -2 .....	31353-0621-1	31353-0621-1	31353-0621-1	31353-0619-1	31353-0619-1	31353-0619-1
	Piston -3 .....	31353-0621-2	31353-0621-2	31353-0621-2	31353-0619-2	31353-0619-2	31353-0619-2
7Δ	O-ring .....	9611-99-0396	9611-99-0396	9611-99-0396	223406-17	223406-17	223406-17
8	Bonnet .....	31353-0133-2	31353-0133-2	31353-0133-2	31353-0190-2	31353-0190-2	31353-0190-2
9*	Plug .....	31353-0154-1	31353-0154-1	31353-0154-1	31353-0154-1	31353-0154-1	31353-0154-1
10a*	Spring assembly .....	31353-0625-1	31353-0625-1	31353-0625-1	31353-0622-1	31353-0622-1	31353-0622-1
	(standard black)						
10b*	Spring assembly with extra ..	31353-0625-2	31353-0625-2	31353-0625-2	31353-0622-2	31353-0622-2	31353-0622-2
	strong spring (white)						
11Δ	Clip, complete .....	31353-0793-1	31353-0793-1	31353-0793-1	31353-0793-2	31353-0793-2	31353-0793-2
12	Drain tube .....	31801-1444-1	31801-1444-1	31801-1444-1	31801-1444-1	31801-1444-1	31801-1444-1
Δ	<b>Service kit .....</b>	<b>9611-92-0008</b>	<b>9611-92-0008</b>	<b>9611-92-0008</b>	<b>9611-92-0009</b>	<b>9611-92-0009</b>	<b>9611-92-0009</b>

\* Only for actuators -1 and -2.

Pos.	Qty.	Denomination	DN40 38 mm	DN50 51 mm	DN65 63.5 mm	76 mm	DN80	DN 100 101.6 mm
13	1	Intermediate piece .....	31353-0813-1	31353-0813-1	31353-0813-1	31353-0840-1	31353-0840-1	31353-0840-1

## Clamp

15	2	Clamp and screws .....	31320-0027-3	31320-0027-3	31320-0027-3	31320-0027-5	31320-0027-5	31320-0027-5
		(period 9209-)						
15a	4	Clamp half (Period -9209) .....	31320-0022-1	31320-0022-1	31320-0022-1	31320-0021-1	31320-0021-1	31320-0021-1
15b	2	Screw (Period -9209) .....	2210936-18	2210936-18	2210936-18	2210936-18	2210936-18	2210936-18
15c	2	Screw (Period -9209) .....	2210936-19	2210936-19	2210936-19	2210936-19	2210936-19	2210936-19

## Valve Body

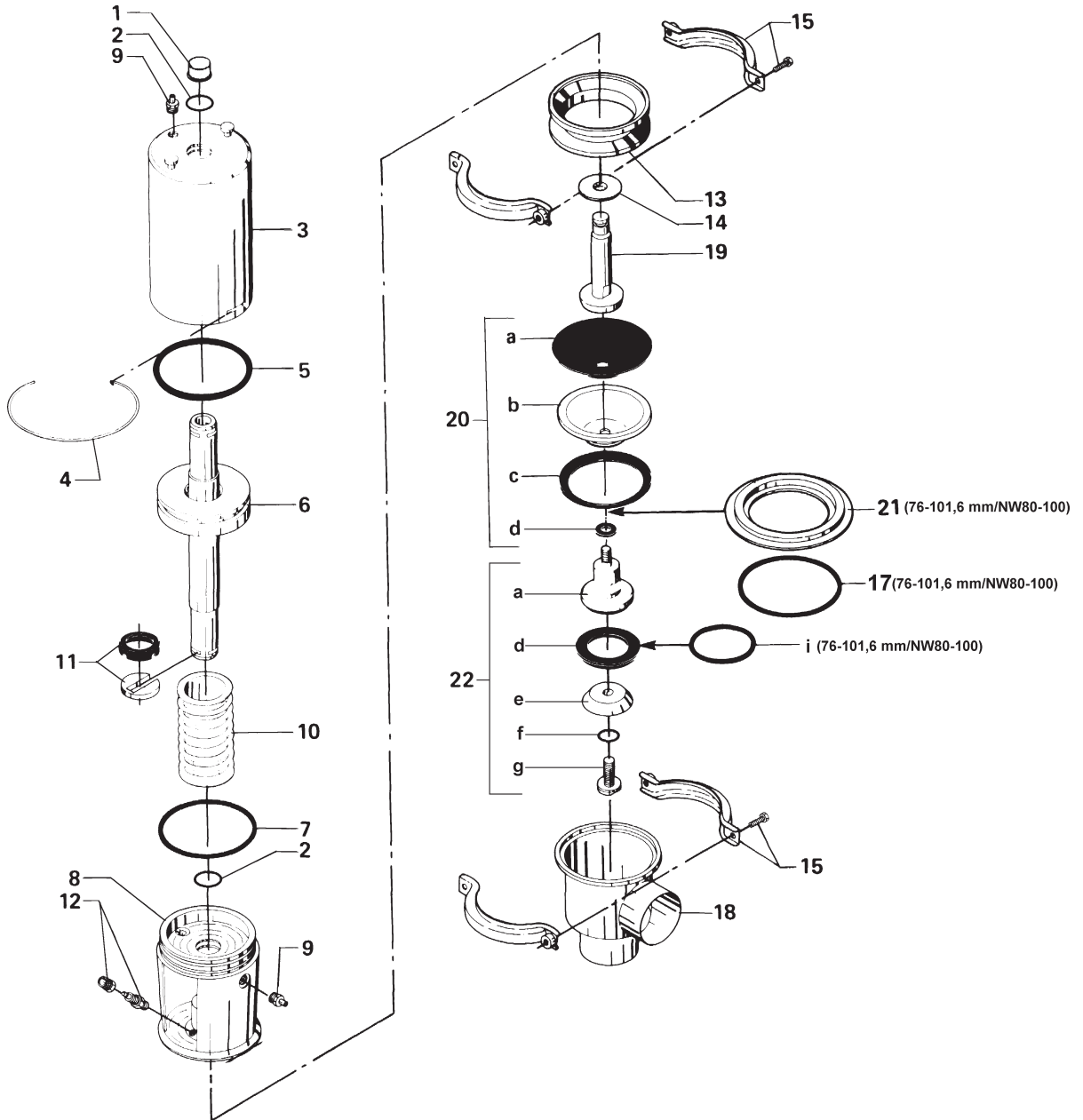
18	1	Valve body, 2 ports, ISO .....	31353-0375-1	31353-0376-1	31353-0380-1	31353-0381-1		31353-0026-1
	1	Valve body, 2 ports, DIN .....	9612-0940-01	9612-0941-01	9612-0942-01		9612-0943-01	9612-0944-01
	1	Valve body, 3 ports, ISO .....	31353-0375-6	31353-0376-6	31353-0380-6	31353-0381-6		31353-0026-6
	1	Valve body, 3 ports, DIN .....	9612-0940-02	9612-0941-02	9612-0942-02		9612-0943-02	9612-0944-02

Recommended spare parts: **Service kits.**

# Aseptic Remote Controlled Valve Type ARC - Stop Valve

(Same drawing as on page 2)

4



## Aseptic Remote Controlled Valve Type ARC - Stop Valve

Pos.	Qty.	Denomination	DN40 38 mm	DN50 51 mm	DN65 63.5 mm	76 mm	DN80	DN 100 101.6 mm
<b>Valve Plug</b>								
14	1	Washer (Period 9911-) .....	31353-0821-3	31353-0821-3	31353-0821-3	31353-0821-2	31353-0821-2	31353-0821-2
	1	Washer (Period 8605-9910) .	31353-0821-1	31353-0821-1	31353-0821-1	31353-0821-2	31353-0821-2	31353-0821-2
17Δ	1	Seal ring, EPDM (standard) ...				31353-0205-1	31353-0205-1	31353-0205-1
	1	Seal ring, NBR .....				31353-0205-2	31353-0205-2	31353-0205-2
	1	Seal ring, FPM .....				31353-0205-3	31353-0205-3	31353-0205-3
19	1	Stem, upper .....	31353-0809-1	31353-0809-1	31353-0809-1	31353-0839-1	31353-0839-1	31353-0839-1
20Δ	1	Diaphragm set PTFE, EPDM .... (complete replacement recom- mended)	9611-92-0001	9611-92-0001	9611-92-0001	9611-92-0007	9611-92-0007	9611-92-0007
	1	Diaphragm set NBR .....	9611-92-0081	9611-92-0081	9611-92-0081	9611-92-0083	9611-92-0083	9611-92-0083
	1	Diaphragm set FPM .....	9611-92-0082	9611-92-0082	9611-92-0082	9611-92-0084	9611-92-0084	9611-92-0084
20a	1	Diaphragm support, EPDM .....	31353-0816-1	31353-0816-1	31353-0816-1	31353-0816-2	31353-0816-2	31353-0816-2
20b	1	Diaphragm PTFE .....	31353-0820-1	31353-0820-1	31353-0820-1	31353-0820-2	31353-0820-2	31353-0820-2
20c	1	L-seal, EPDM (standard) .....	31353-0817-1	31353-0817-1	31353-0817-1	31353-0817-1	31353-0817-1	31353-0817-1
	1	L-seal, NBR .....	31353-0817-2	31353-0817-2	31353-0817-2	31353-0817-2	31353-0817-2	31353-0817-2
	1	L-seal, FPM .....	31353-0817-3	31353-0817-3	31353-0817-3	31353-0817-3	31353-0817-3	31353-0817-3
20d	1	Stem seal, EPDM (standard) ..	31353-0818-1	31353-0818-1	31353-0818-1	31353-0818-2	31353-0818-2	31353-0818-2
	1	Stem seal, NBR .....	31353-0818-3	31353-0818-3	31353-0818-3	31353-0818-4	31353-0818-4	31353-0818-4
	1	Stem seal, FPM .....	31353-0818-5	31353-0818-5	31353-0818-5	31353-0818-6	31353-0818-6	31353-0818-6
21	1	Diaphragm ring .....				31353-0841-1	31353-0841-1	31353-0841-1
<b>Valve plug</b>								
22		Plug, single, complete EPDM .. (standard)	31353-0823-1	31353-0823-2	31353-0823-3	31353-0848-1	31353-0848-5	31353-0848-2
		Plug, single, complete NBR ....	9612-3094-01	9612-3094-02	9612-3094-03	9612-3092-01	9612-3092-05	9612-3092-02
		Plug, single, complete FPM ....	9612-3094-07	9612-3094-08	9612-3094-09	9612-3092-06	9612-3092-10	9612-3092-07
a	1	Stem, lower .....	31353-0811-1	31353-0812-1	31353-0815-1	31353-0843-1	9612-1887-01	31353-0846-1
dΔ	1	Seal, EPDM (standard) .....	31353-0320-1	31353-0321-1	31353-0322-1			
	1	Seal, NBR .....	31353-0320-2	31353-0321-2	31353-0322-2			
	1	Seal, FPM .....	31353-0320-3	31353-0321-3	31353-0322-3			
e	1	Washer .....	31353-0357-1	31353-0358-1	31353-0359-1	31353-0845-1	31353-0845-5	31353-0845-2
fΔ	1	O-ring, EPDM (standard) .....	990034-01	990034-01	990034-01	990034-01	990034-01	990034-01
	1	O-ring, NBR .....	223404-21	223404-21	223404-21	223404-21	223404-21	223404-21
	1	O-ring, FPM .....	223404-35	223404-35	223404-35	223404-35	223404-35	223404-35
g	1	Screw .....	31353-0362-1	31353-0362-1	31353-0362-1	31353-0362-1	31353-0362-1	31353-0362-1
iΔ	1	O-ring, EPDM (standard) .....				9611-99-0544	9611-99-1285	9611-99-1491
	1	O-ring, NBR .....				9611-99-0029	9611-99-1154	9611-99-2549
	1	O-ring, FPM .....				9611-99-1345	9611-99-1346	9611-99-2550
Δ		<b>Service kit, EPDM .....</b>	<b>9611-92-0040</b>	<b>9611-92-0041</b>	<b>9611-92-0042</b>	<b>9611-92-0043</b>	<b>9611-92-0113</b>	<b>9611-92-0044</b>
Δ		<b>Service kit, NBR .....</b>	<b>9611-92-0085</b>	<b>9611-92-0087</b>	<b>9611-92-0089</b>	<b>9611-92-0091</b>	<b>9611-92-0114</b>	<b>9611-92-0093</b>
Δ		<b>Service kit, FPM .....</b>	<b>9611-92-0086</b>	<b>9611-92-0088</b>	<b>9611-92-0090</b>	<b>9611-92-0092</b>	<b>9611-92-0115</b>	<b>9611-92-0094</b>

Parts marked with Δ are included in the **service kits**.

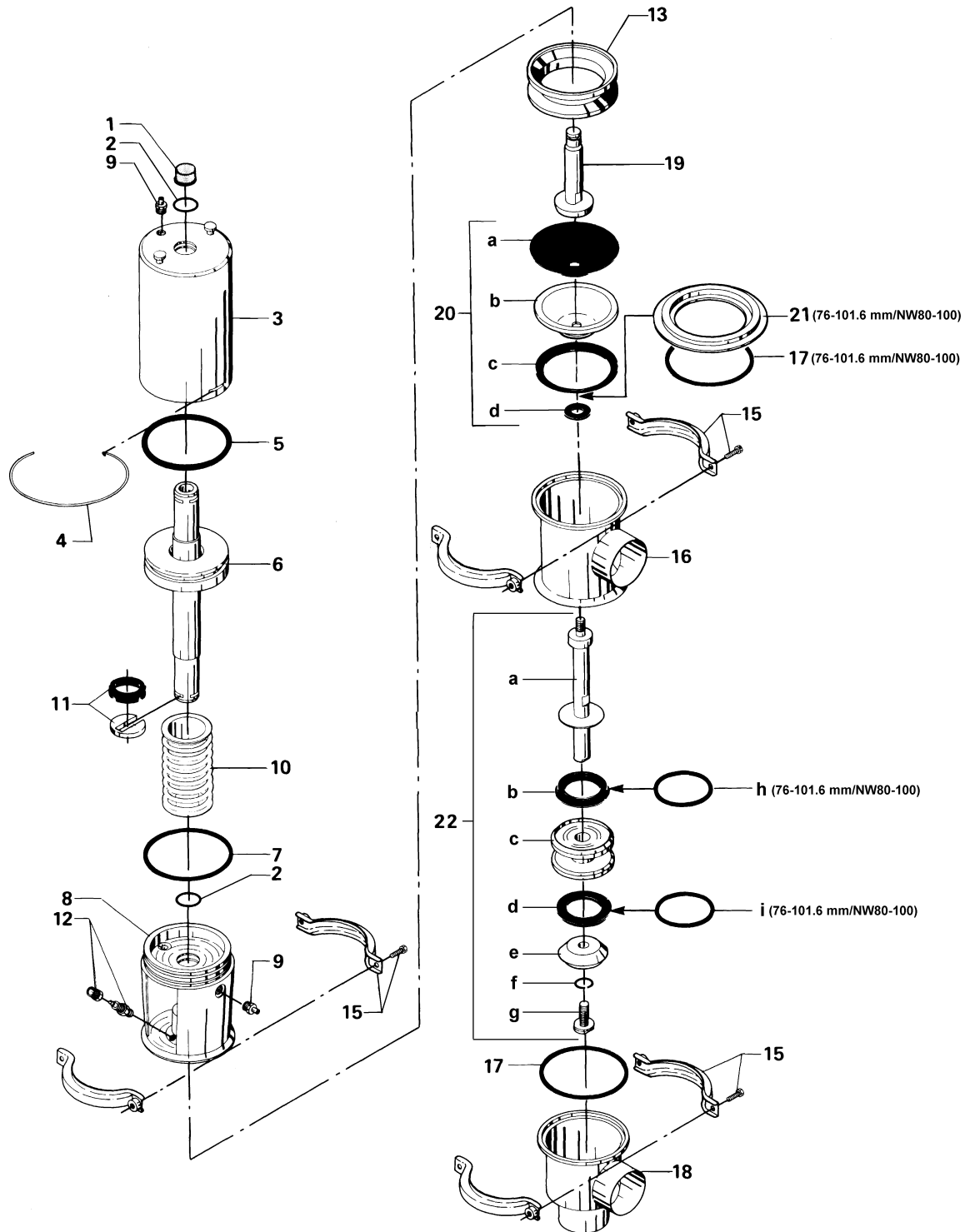
### Rebuilding set, EPDM, SRC-A to ARC

38 mm	51 mm	63.5 mm	76 mm	101.6 mm
31353-0833-1	31353-0833-2	31353-0833-3	31353-0836-1	31353-0836-2

The rebuilding set contains Pos. 13, 14, 15a+c, 19, 20, 22a, 22d, 22f

# Aseptic Remote Controlled Valve Type ARC - Change-over Valve

6



# Aseptic Remote Controlled Valve Type ARC - Change-over Valve

## ACTUATOR

		DN40	DN50	DN65	76 mm	DN80	DN100
		38 mm	51 mm	63.5 mm	76 mm	DN80	DN100
Pos.	Qty. Denomination	38 mm	51 mm	63.5 mm	76 mm	DN80	DN100
	Actuator -1, complete	31353-0206-4	31353-0206-4	31353-0206-4	31353-0214-4	31353-0214-4	31353-0214-4
	Actuator -2, complete	31353-0206-6	31353-0206-6	31353-0206-6	31353-0214-6	31353-0214-6	31353-0214-6
	Actuator -3, complete	31353-0206-7	31353-0206-7	31353-0206-7	31353-0214-7	31353-0214-7	31353-0214-7
1	1 Cap	31801-0525-6	31801-0525-6	31801-0525-6	31801-0525-5	31801-0525-5	31801-0525-5
2Δ	2 O-ring	223406-25	223406-25	223406-25	223406-49	223406-49	223406-49
3	1 Cylinder	31353-0139-1	31353-0139-1	31353-0139-1	31353-0185-1	31353-0185-1	31353-0185-1
4Δ	1 Lock wire	31353-0151-1	31353-0151-1	31353-0151-1	31353-0189-1	31353-0189-1	31353-0189-1
5Δ	1 O-ring	223401-74	223401-74	223401-74	223401-75	223401-75	223401-75
6	1 Piston -1, -2	31353-0621-1	31353-0621-1	31353-0621-1	31353-0619-1	31353-0619-1	31353-0619-1
	1 Piston -3	31353-0621-2	31353-0621-2	31353-0621-2	31353-0619-2	31353-0619-2	31353-0619-2
7Δ	1 O-ring	9611-99-0396	9611-99-0396	9611-99-0396	223406-17	223406-17	223406-17
8	1 Bonnet	31353-0133-2	31353-0133-2	31353-0133-2	31353-0190-2	31353-0190-2	31353-0190-2
9*	2 Plug	31353-0154-1	31353-0154-1	31353-0154-1	31353-0154-1	31353-0154-1	31353-0154-1
10a*	1 Spring assembly (Black)	31353-0625-1	31353-0625-1	31353-0625-1	31353-0622-1	31353-0622-1	31353-0622-1
10b*	1 Spring assembly with extra strong spring (White)	31353-0625-2	31353-0625-2	31353-0625-2	31353-0622-2	31353-0622-2	31353-0622-2
11Δ	1 Clip, complete	31353-0793-1	31353-0793-1	31353-0793-1	31353-0793-2	31353-0793-2	31353-0793-2
12	1 Drain tube	31801-1444-1	31801-1444-1	31801-1444-1	31801-1444-1	31801-1444-1	31801-1444-1
Δ	<b>Service kit</b>	<b>9611-92-0008</b>	<b>9611-92-0008</b>	<b>9611-92-0008</b>	<b>9611-92-0009</b>	<b>9611-92-0009</b>	<b>9611-92-0009</b>

\* Only for actuators -1 and -2.

## Valve Body Part

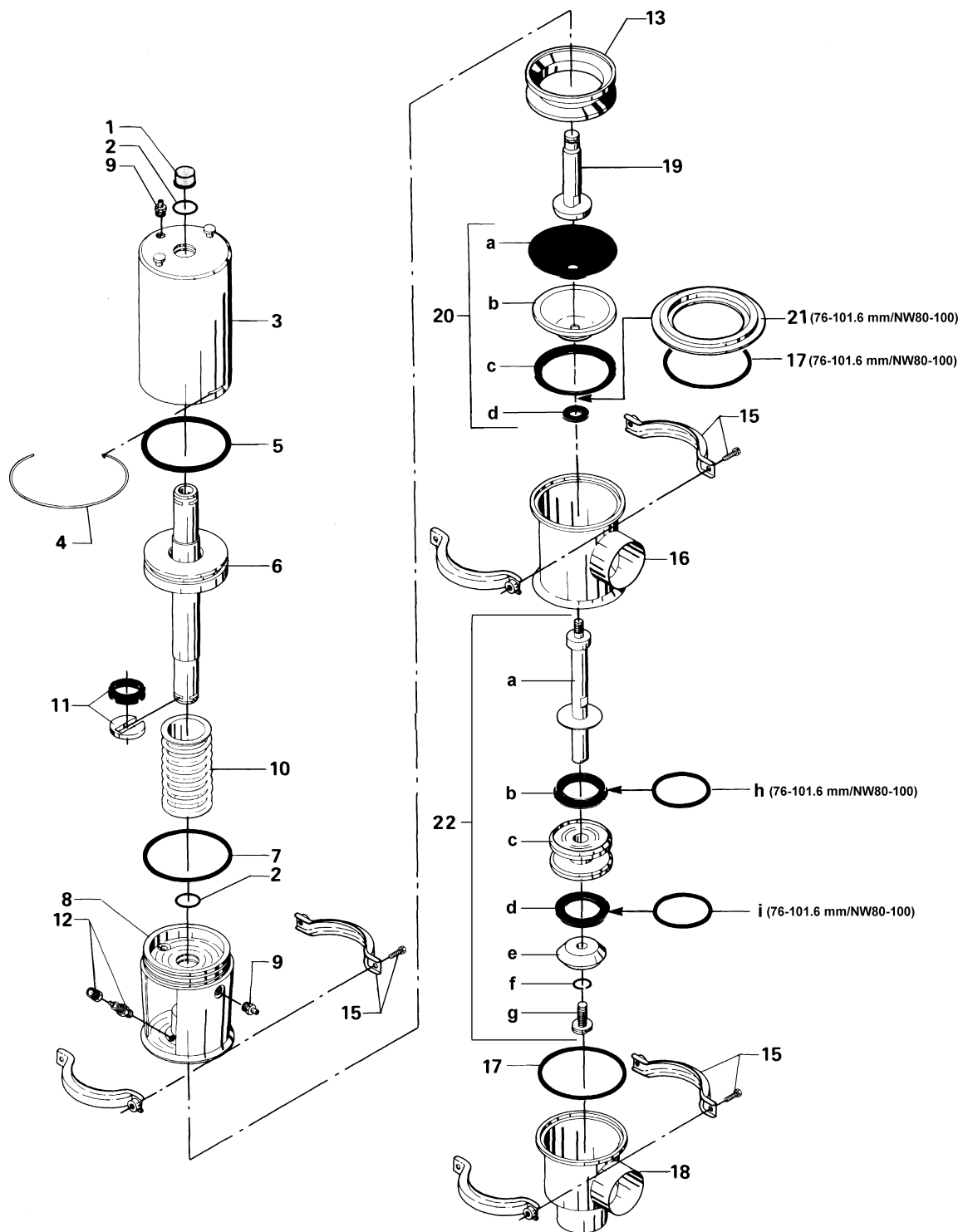
		DN40	DN50	DN65	76 mm	DN80	DN100
		38 mm	51 mm	63.5 mm	76 mm	DN80	DN100
Pos.	Qty. Denomination	38 mm	51 mm	63.5 mm	76 mm	DN80	DN100
13	1 Intermediate piece	31353-0813-1	31353-0813-1	31353-0813-1	31353-0840-1	31353-0840-1	31353-0840-1
<b>Clamp</b>							
15	3 Clamp and screws (Period 9209-)	31320-0027-3	31320-0027-3	31320-0027-3	31320-0027-5	31320-0027-5	31320-0027-5
15a	6 Clamp half (Period -9209)	31320-0022-1	31320-0022-1	31320-0022-1	31320-0021-1	31320-0021-1	31320-0021-1
15b	4 Screw (Period -9209)	2210936-18	2210936-18	2210936-18	2210936-18	2210936-18	2210936-18
15c	2 Screw (Period -9209)	2210936-19	2210936-19	2210936-19	2210936-19	2210936-19	2210936-19
<b>Valve Body</b>							
16	1 Valve body, upper, 1 port, ISO	31353-0053-1	31353-0054-1	31353-0055-1	31353-0056-1		31353-0058-1
	1 Valve body, upper, 1 port, DN	9612-0945-01	9612-0946-01	9612-0947-01		9612-0948-01	9612-0949-01
	1 Valve body, upper, 2 ports, ISO	31353-0053-6	31353-0054-6	31353-0055-6	31353-0056-6		31353-0058-6
	1 Valve body, upper, 2 ports, DN	9612-0945-02	9612-0946-02	9612-0947-02		9612-0948-02	9612-0949-02
17Δ	1 Seal ring, EPDM (standard)	31353-0128-1	31353-0128-1	31353-0128-1			
	1 Seal ring, NBR	31353-0128-2	31353-0128-2	31353-0128-2			
	1 Seal ring, FPM	31353-0128-3	31353-0128-3	31353-0128-3			
	2 Seal ring, EPDM (standard)				31353-0205-1	31353-0205-1	31353-0205-1
	2 Seal ring, NBR				31353-0205-2	31353-0205-2	31353-0205-2
	2 Seal ring, FPM				31353-0205-3	31353-0205-3	31353-0205-3
18	1 Valve body, lower, 2 ports, ISO	31353-0375-1	31353-0376-1	31353-0380-1	31353-0381-1		31353-0026-1
	1 Valve body, lower, 2 ports, DN	9612-0940-01	9612-0941-01	9612-0942-01		9612-0943-01	9612-0944-01
	1 Valve body, lower, 3 ports, ISO	31353-0375-6	31353-0376-6	31353-0380-6	31353-0381-6		31353-0026-6
	1 Valve body, lower, 3 ports, DN	9612-0940-02	9612-0941-02	9612-0942-02		9612-0943-02	9612-0944-02
19	1 Stem, upper	31353-0809-1	31353-0809-1	31353-0809-1	31353-0839-1	31353-0839-1	31353-0839-1
20Δ	1 Diaphragm set PTFE, EPDM (complete replacement recommended)	9611-92-0001	9611-92-0001	9611-92-0001	9611-92-0007	9611-92-0007	9611-92-0007
	1 Diaphragm set NBR	9611-92-0081	9611-92-0081	9611-92-0081	9611-92-0083	9611-92-0083	9611-92-0083
	1 Diaphragm set FPM	9611-92-0082	9611-92-0082	9611-92-0082	9611-92-0084	9611-92-0084	9611-92-0084
20a	1 Diaphragm support, EPDM	31353-0816-1	31353-0816-1	31353-0816-1	31353-0816-2	31353-0816-2	31353-0816-2
20b	1 Diaphragm for PTFE	31353-0820-1	31353-0820-1	31353-0820-1	31353-0820-2	31353-0820-2	31353-0820-2
20c	1 L-seal, EPDM (standard)	31353-0817-1	31353-0817-1	31353-0817-1	31353-0817-1	31353-0817-1	31353-0817-1
	1 L-seal, NBR	31353-0817-2	31353-0817-2	31353-0817-2	31353-0817-2	31353-0817-2	31353-0817-2
	1 L-seal, FPM	31353-0817-3	31353-0817-3	31353-0817-3	31353-0817-3	31353-0817-3	31353-0817-3
20d	1 Stem seal, EPDM (standard)	31353-0818-1	31353-0818-1	31353-0818-1	31353-0818-2	31353-0818-2	31353-0818-2
	1 Stem seal, NBR	31353-0818-3	31353-0818-3	31353-0818-3	31353-0818-4	31353-0818-4	31353-0818-4
	1 Stem seal, FPM	31353-0818-5	31353-0818-5	31353-0818-5	31353-0818-6	31353-0818-6	31353-0818-6
21	1 Diaphragm ring				31353-0841-1	31353-0841-1	31353-0841-1

Recommended spare parts: **Service kits.**

# Aseptic Remote Controlled Valve Type ARC - Change-over Valve

(Same drawing as on page 6)

8





## Aseptic Remote Controlled Valve Type ARC - Change-over Valve

Pos.	Qty.	Denomination	DN40	DN50	DN65	76 mm	DN80	DN100
			38 mm	51 mm	63.5 mm			101.6 mm
<b>Valve Plug</b>								
22		Plug, double, complete EPDM ..... (Period 9911-) (standard)	9612-5400-01	9612-5400-04	31353-0824-3	31353-0856-1	31353-0856-5	31353-0856-2
		Plug, double, complete EPDM ..... (Period 8605-9910) (standard)	31353-0824-1	31353-0824-2	31353-0824-3	31353-0856-1	31353-0856-5	31353-0856-2
		Plug, double, complete NBR ..... (Period 9911-)	9612-5400-02	9612-5400-05	9612-3093-03	9612-3091-01	9612-3091-05	9612-3091-02
		Plug, double, complete NBR ..... (Period 8605-9910)	9612-3093-01	9612-3093-02	9612-3093-03	9612-3091-01	9612-3091-05	9612-3091-02
		Plug, double, complete FPM ..... (Period 9911-)	9612-5400-03	9612-5400-06	9612-3093-09	9612-3091-06	9612-3091-10	9612-3091-07
		Plug, double, complete FPM ..... (Period 8605-9910)	9612-3093-07	9612-3093-08	9612-3093-09	9612-3091-06	9612-3091-10	9612-3091-07
a	1	Stem, lower (Period 9911-) .....	31353-0810-3	31353-0810-4	31353-0814-1	31353-0850-1	31353-0850-5	31353-0810-2
	1	Stem, lower (Period 8605-9910) .....	31353-0810-1	31353-0810-2	31353-0814-1	31353-0850-1	31353-0850-5	31353-0810-2
b Δ	1	Seal, EPDM (standard) .....	31353-0321-1	31353-0321-1	31353-0323-1			
	1	Seal, NBR .....	31353-0321-2	31353-0321-2	31353-0323-2			
	1	Seal, FPM .....	31353-0321-3	31353-0321-3	31353-0323-3			
c	1	Middle piece (Period 9911-) .....	9612-4972-01	9612-4973-01	31353-0365-1	31353-0854-1	9612-1888-01	31353-0855-1
c	1	Middle piece (Period 8605-9910) .....	31353-0363-1	31353-0364-1	31353-0365-1	31353-0854-1	9612-1888-01	31353-0855-1
d Δ	1	Seal, EPDM (standard) .....	31353-0320-1	31353-0321-1	31353-0322-1			
	1	Seal, NBR .....	31353-0320-2	31353-0321-2	31353-0322-2			
	1	Seal, FPM .....	31353-0320-3	31353-0321-3	31353-0322-3			
e	1	Washer .....	31353-0357-1	31353-0358-1	31353-0359-1	31353-0845-1	31353-0845-5	31353-0845-2
f Δ	1	O-ring, EPDM .....	990034-01	990034-01	990034-01	990034-01	990034-01	990034-01
	1	O-ring, NBR .....	223404-21	223404-21	223404-21	223404-21	223404-21	223404-21
	1	O-ring, FPM .....	223404-35	223404-35	223404-35	223404-35	223404-35	223404-35
g	1	Screw .....	31353-0362-1	31353-0362-1	31353-0362-1	31353-0362-1	31353-0362-1	31353-0362-1
h Δ	1	O-ring EPDM (standard) .....				9611-99-0544	9611-99-0544	9611-99-1491
	1	O-ring NBR .....				9611-99-0029	9611-99-0029	9611-99-2549
	1	O-ring FPM .....				9611-99-1345	9611-99-1345	9611-99-2550
i	1	O-ring, EPDM (standard) .....				9611-99-0544	9611-99-1285	9611-99-1491
	1	O-ring, NBR .....				9611-99-0029	9611-99-1154	9611-99-2549
	1	O-ring, FPM .....				9611-99-1345	9611-99-1346	9611-99-2550
Δ		<b>Service kit EPDM .....</b>	<b>9611-92-0045</b>	<b>9611-92-0046</b>	<b>9611-92-0047</b>	<b>9611-92-0048</b>	<b>9611-92-0116</b>	<b>9611-92-0049</b>
Δ		<b>Service kit NBR .....</b>	<b>9611-92-0095</b>	<b>9611-92-0097</b>	<b>9611-92-0099</b>	<b>9611-92-0101</b>	<b>9611-92-0117</b>	<b>9611-92-0103</b>
Δ		<b>Service kit FPM .....</b>	<b>9611-92-0096</b>	<b>9611-92-0098</b>	<b>9611-92-0100</b>	<b>9611-92-0102</b>	<b>9611-92-0120</b>	<b>9611-92-0104</b>

Parts marked with Δ are included in the service kits.

### Rebuilding set EPDM, SRC-A to ARC

38 mm	51 mm	63,5 mm	76 mm	101,6 mm
31353-0834-1	31353-0834-2	31353-0834-3	31353-0835-1	31353-0835-2

The rebuilding set contains Pos. 13, 15a+c, 19, 20, 22a, 22b, 22d, 22f

*The information contained herein is correct at the time of issue but may be subject to change without prior notice.*