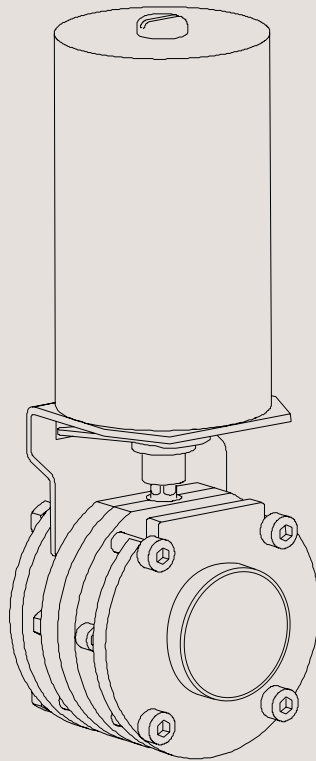


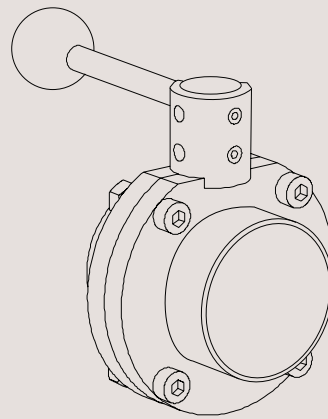


Spare Parts

LKB Automatic and Manual Butterfly Valve



TD 403-262_1



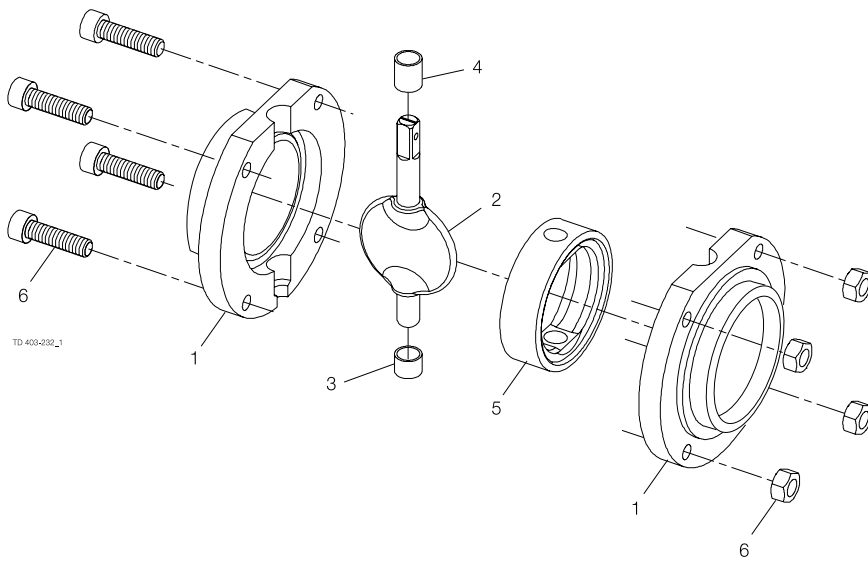
TD 403-263

ESE00779-EN18 2023-02

Original manual

The information herein is correct at the time of issue but may be subject to change without prior notice

1. LKB Butterfly Valve, ISO	4
2. LKB-2 Butterfly Valve, DIN	6
3. LKB-F Butterfly Valve, ISO	8
4. LKB-F Butterfly Valve, DIN	10
5. LKB Lockable Multiposition Handle for Valve	14
6. LKB Handle 1.1 for Butterfly Valve	16
7. Handle 1.1 for Indication Unit	18
8. Handle for Tri-Clover Butterfly Valves Series G	20
9. LKLA actuator air/spring (NC-NO) ø85	22
10. LKLA actuator air/air ø85	24
11. LKLA actuator air/air DN125-150 ø85	26
12. LKLA actuator air/spring (NC-NO) ø133	28
13. LKLA actuator air/air ø133	30
14. LKLA-T actuator air/spring (NC-NO) ø85	32
15. LKLA-T actuator air/air ø85	34
16. LKLA-T actuator air/air DN125-150 ø85	36
17. LKLA-T actuator air/spring (NC-NO) ø133	38
18. LKLA-T actuator air/air ø133	40



Pos	Qty	Denomination	25 mm Disc □ 8	38 mm Disc □ 8	51 mm Disc □ 8
1	2	Valve body half, (AISI 304L)	9611443650	9611443220	9611443230
	2	Valve body half, (AISI 316L)	9611443651	9611443221	9611443231
2	1	Disc, (AISI 304)	9611413680	9611411690	9611411770
	1	Disc, (AISI 316L)	9611413681	9611411691	9611411771
	1	Disc, 12 (AISI 304)			
	1	Disc, 12 (AISI 316L)			
3	□	1 Bush			
	1	Bush, set (10 pcs.)	9614464002	9614464001	9614464002
4	□	1 Bush			
	1	Bush, set (10 pcs.)	9614464007	9614464001	9614464002
5	□	1 Seal ring, (EPDM)			
	1	Seal ring, (Silicone Q)			
	1	Seal ring, (Viton FPM)			
	1	Seal ring, (HNBR)			
	1	Seal ring, (PFA)			
6	1	Set of screws, M6 + Nut M6	9611417340	9611417340	
	1	Set of screws, M8 + Nut M8			9611417350

Pos	Qty	Denomination	63.5 mm Disc □ 8	76 mm Disc □ 10	101.6 mm *) Disc □ 10	101.6 mm 152 mm Disc □ 12
1	2	Valve body half, (AISI 304L)	9611443240	9611443070	9611413250	9611413250
	2	Valve body half, (AISI 316L)	9611443241	9611443071	9611413251	9611413251
2	1	Disc, (AISI 304)	9611411850	9611411930		
	1	Disc, (AISI 316L)	9611411851	9611411931		
	1	Disc, 12 (AISI 304)				9612046301
	1	Disc, 12 (AISI 316L)				9612046302
	1	Disc, 10 (AISI 316)				
3	□	1 Bush				
	1	Bush, set (10 pcs.)	9614464003	9614464004	9614464006	9614464006
4	□	1 Bush				
	1	Bush, set (10 pcs.)	9614464003	9614464004	9614464005	9614464005
5	□	1 Seal ring, (EPDM)				
	1	Seal ring, (Silicone Q)				
	1	Seal ring, (Viton FPM)				
	1	Seal ring, (HNBR)				
	1	Seal ring, (PFA)				
6	1	Set of screws, M8 + Nut M8	9611417350	9611417360		
	1	Set of screws, M10 + Nut M10			9611417370	9611417370

			25 mm Disc □ 8	38 mm Disc □ 8	51 mm Disc □ 8	63.5 mm Disc □ 8
--	--	--	-------------------	-------------------	-------------------	---------------------

Service kits for product wetted parts

□	Service kit EPDM	9611923028	9611923029	9611923030	9611923031
□	Service kit Q	9611923034	9611923035	9611923036	9611923037
□	Service kit FPM	9611923040	9611923041	9611923042	9611923043
□	Service kit HNBR	9611923160	9611923161	9611923162	9611923163
□	Service kit PFA		9611923183	9611923184	9611923185

		76mm Disc □ 10	101.6mm Disc □ 10	101.6mm Disc □ 12	152mm Disc □ 15
--	--	-------------------	----------------------	----------------------	--------------------

Service kits for product wetted parts

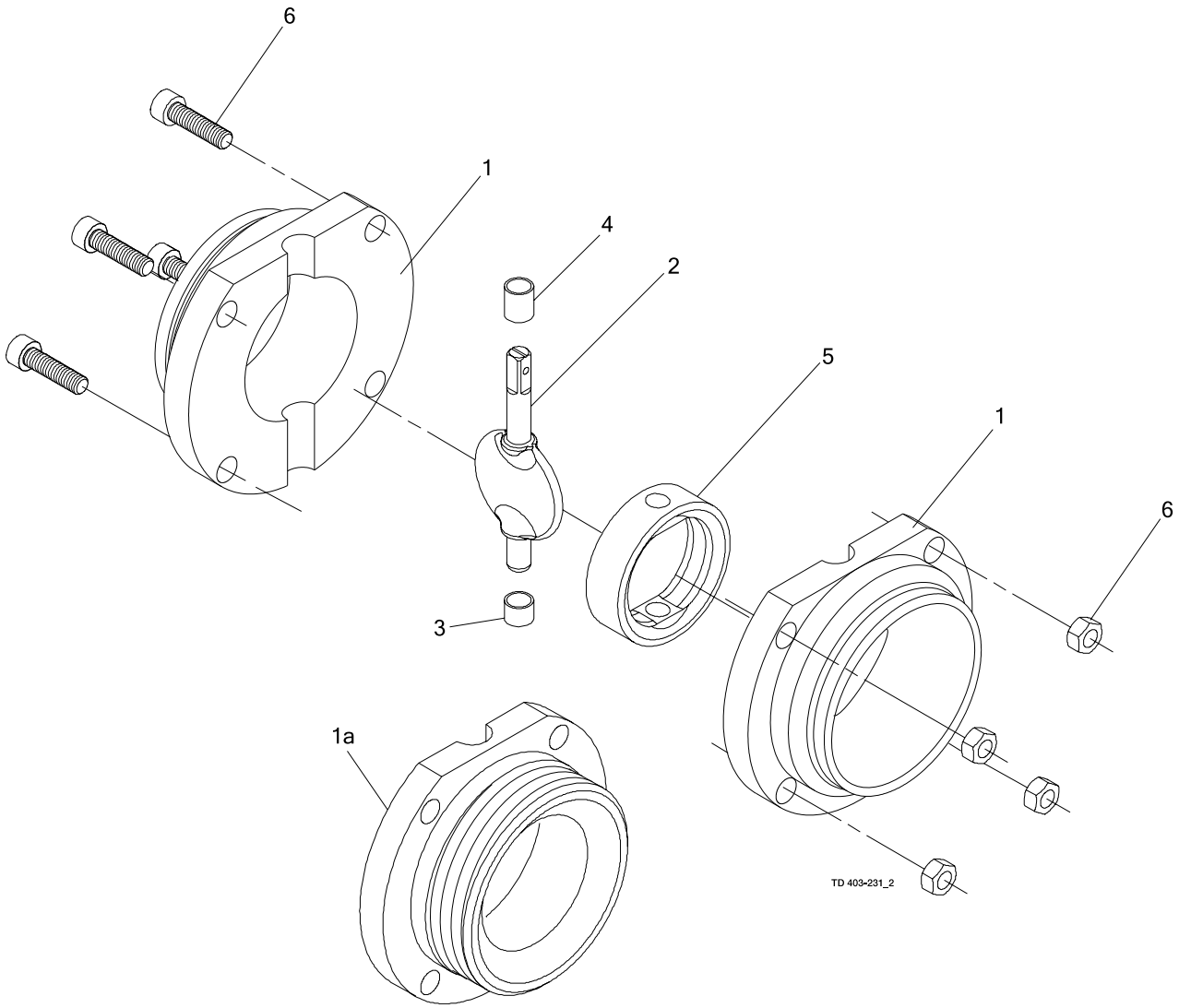
□	Service kit EPDM	9611923032	9611923033	9611923033	9611923046
□	Service kit Q	9611923038	9611923039	9611923039	9611923047
□	Service kit FPM	9611923044	9611923045	9611923045	9611923048
□	Service kit HNBR	9611923164	9611923165	9611923165	9611923197
□	Service kit PFA	9611923186	9611923187	9611923187	

NB: * Disc connection □ 10 for 101.6 mm and DN100 is no longer available. Please rebuild the air actuator or/and handle to: disc connection □ 12

Reg. 2.14.1 9805 / Intro. 8001

NOTE! Lubricate the pin holes in the seal (5) with Alfa Laval Lubricant or similar. Very important for Q and FPM.

Parts marked with □ are included in the service kits. Recommended spare parts: Service kits.



For valves with bushes (Period 9301-)

Pos	Qty	Denomination	DN 25	DN 32	DN 40	DN 50
			Disc □ 8	Disc □ 8	Disc □ 8	Disc □ 8
1	2	Valve body half, welding (AISI 304L)	9612323601	9612323701	9612323801	9612323901
	2	Valve body half, welding (AISI 316 L)	9612323602	9612323702	9612323802	9612323902
1a	2	Valve body half, male part (AISI 304L)	9612324301	9612324401	9612324501	9612324601
	2	Valve body half, male part (AISI 316 L)	9612324302	9612324402	9612324502	9612324602
2	1	Disc , (AISI 304)	9612073605	9612073705	9612073805	9612073905
	1	Disc , (AISI 316L)	9612073604	9612073704	9612073804	9612073904
3	□	1 Bush				
	1	Bush, set (10 pcs.)	9614464002	9614464002	9614464002	9614464003
4	□	1 Bush				
	1	Bush, set (10 pcs.)	9614464002	9614464002	9614464002	9614464003
5	□	1 Seal ring, (EPDM)				
	1	Seal ring, (Silicone Q)				
	1	Seal ring, (FPM)				
	1	Seal ring, (HNBR)				
	1	Seal ring, (PFA)				
6	1	Set screw, M6 + Nut M6	9611417340	9611417340	9611417340	
	1	Set screw, M8 + Nut M8				9611417350

Pos	Qty	Denomination	DN 65	DN 80	DN 100	DN 125
			Disc □ 10	Disc □ 10	Disc □ 12	DN150 Disc □ 14
1	2	Valve body half, welding (AISI 304L)	9612324001	9612324101	9612324201	9612077401
	2	Valve body half, welding (AISI 316 L)	9612324002	9612324102	9612324202	9612077402
1a	2	Valve body half , male part (AISI 304L)	9612324701	9612324801	9612324901	9612077201
	2	Valve body half, male part (AISI 316 L)	9612324702	9612324802	9612324902	9612077202
2	1	Disc , (AISI 304)	9612074005	9612074105	9612074205	9612076905
	1	Disc , (AISI 316L)	9612074004	9612074104	9612074204	9612076904
3	□	1 Bush				
	1	Bush, set (10 pcs.)	9614464003	9614464003	9614464004	9614464008
4	□	1 Bush				
	1	Bush, set (10 pcs.)	9614464003	9614464003	9614464004	9614464008
5	□	1 Seal ring, (EPDM)				
	1	Seal ring, (Silicone Q)				
	1	Seal ring, (FPM)				
	1	Seal ring, (HNBR)				
	1	Seal ring, (PFA)				
6	1	Set screw, M8 + Nut M8	9611417360	9611417360		
	1	Set screw, M10 + Nut M10			9611417370	
	1	Set screw, M10 + Nut M10 (6pcs)				9611417770

DN25	DN32	DN40	DN50
Disc □ 8	Disc □ 8	Disc □ 8	Disc □ 8

Service kits for product wetted parts

□	Service kit, EPDM	9611923075	9611923076	9611923077	9611923078
□	Service kit, Q	9611923083	9611923084	9611923085	9611923086
□	Service kit, FPM	9611923091	9611923092	9611923093	9611923094
□	Service kit, HNBR	9611923210	9611923211	9611923212	9611923213
□	Service kit, PFA			9611923191 ¹⁾	9611923192

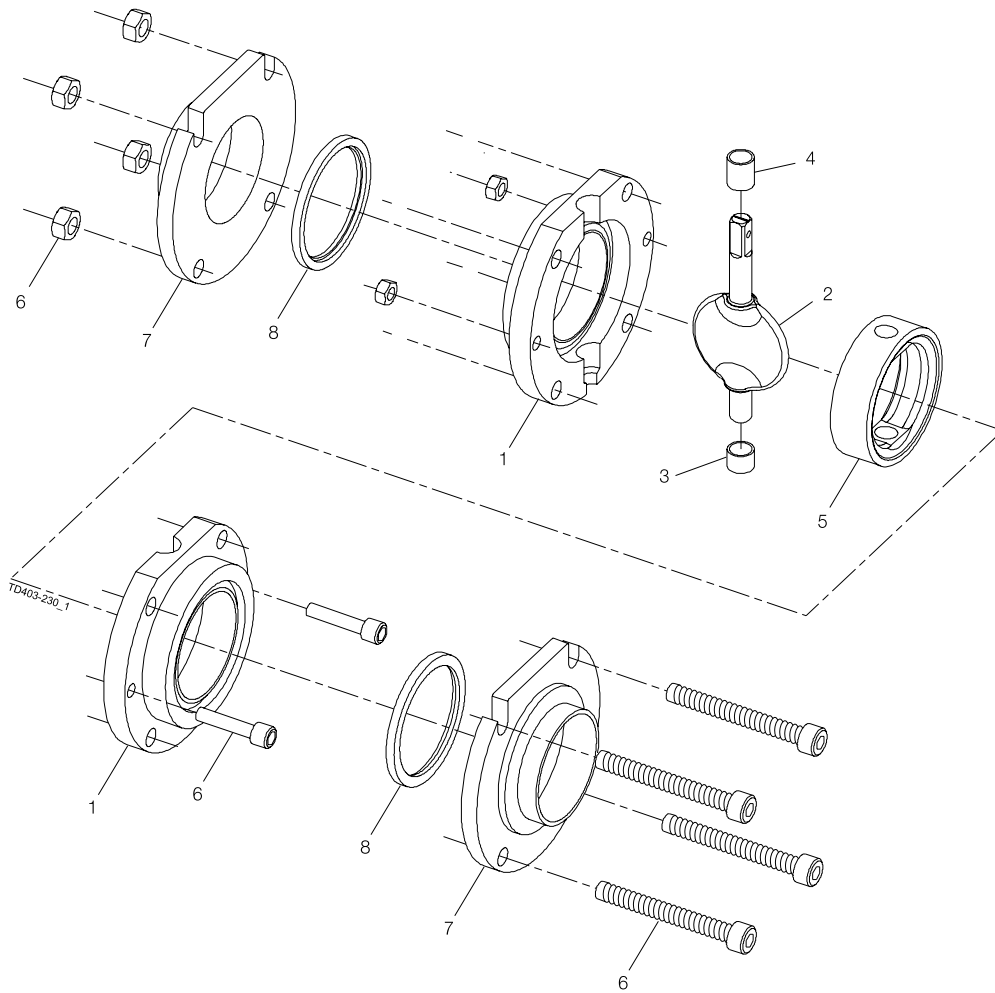
DN65	DN80	DN100	DN125	DN 150
Disc □ 10	Disc □ 10	Disc □ 12	Disc □ 14	

Service kits for product wetted parts

□	Service kit, EPDM	9611923079	9611923080	9611923081	9611923082	9611923046
□	Service kit, Q	9611923087	9611923088	9611923089	9611923090	9611923047
□	Service kit, FPM	9611923095	9611923096	9611923097	9611923098	9611923048
□	Service kit, HNBR	9611923214	9611923215	9611923216	9611923217	9611923197
□	Service kit, PFA	9611923193	9611923194	9611923195		

NB:1) In the service kit the seal ring is delivered assembled with disc.

NOTE!! Lubricate the pin holes in the seal (5) with Alfa Laval Lubricant or similar. Very important for Q and FPM. Parts marked with □ are included in the service kits. Recommended spare parts: Service kits.



LKB-F ISO

Pos	Qty	Denomination	25 mm	38 mm	51 mm	63.5 mm	76 mm	101.6 mm
			Disc □ 8	Disc □ 8	Disc □ 8	Disc □ 8	Disc □ 10	Disc □ 12
1	2	Valve body half, (AISI 316 L)	9612402410	9612402411	9612402412	9612402413	9612402414	9612402415
	2	Valve body half, (AISI 304L)						
2	1	Disc, (AISI 304)	9611413680	9611411690	9611411770	9611411850	9611411930	9612046301
	1	Disc, (AISI 316L)	9611413681	9611411691	9611411771	9611411851	9611411931	9612046302
3	□	1 Bush						
	1	Bush set (10 pcs.)	9614464002	9614464001	9614464002	9614464003	9614464004	9614464006
4	□	1 Bush						
	1	Bush set (10 pcs.)	9614464002	9614464001	9614464002	9614464003	9614464004	9614464006
5	□	1 Seal ring, (EPDM)						
	1	Seal ring, (Silicone Q)						
	1	Seal ring, (FPM)						
	1	Seal ring, (HNBR)						
	1	Seal ring, (PFA on EPDM)						
6	1	Set of screws and nuts	9612400101	9612400101				
	1	Set of screws and nuts			9612400102	9612400102		
	1	Set of screws and nuts					9612400103	
	1	Set of screws and nuts						9612400104
7	2	Flange, (AISI 316L)	9612402510	9612402511	9612402512	9612402513	9612402514	9612402515
	2	Flange, (AISI 304L)						
8	□	2 Seal ring, (EPDM)						
	2	Seal ring, (Silicone Q)						
	2	Seal ring, (FPM)						
	2	Seal ring, (HNBR)						

Service kits for product wetted parts

□	Service kit, EPDM	9611923058	9611923059	9611923060	9611923061	9611923062	9611923063
□	Service kit, Silicone (Q)	9611923064	9611923065	9611923066	9611923067	9611923068	9611923069
□	Service kit, FPM	9611923070	9611923071	9611923072	9611923073	9611923074	9611923099
□	Service kit, HNBR	9611923310	9611923311	9611923312	9611923313	9611923314	9611923315
□	Service kit, PFA**						

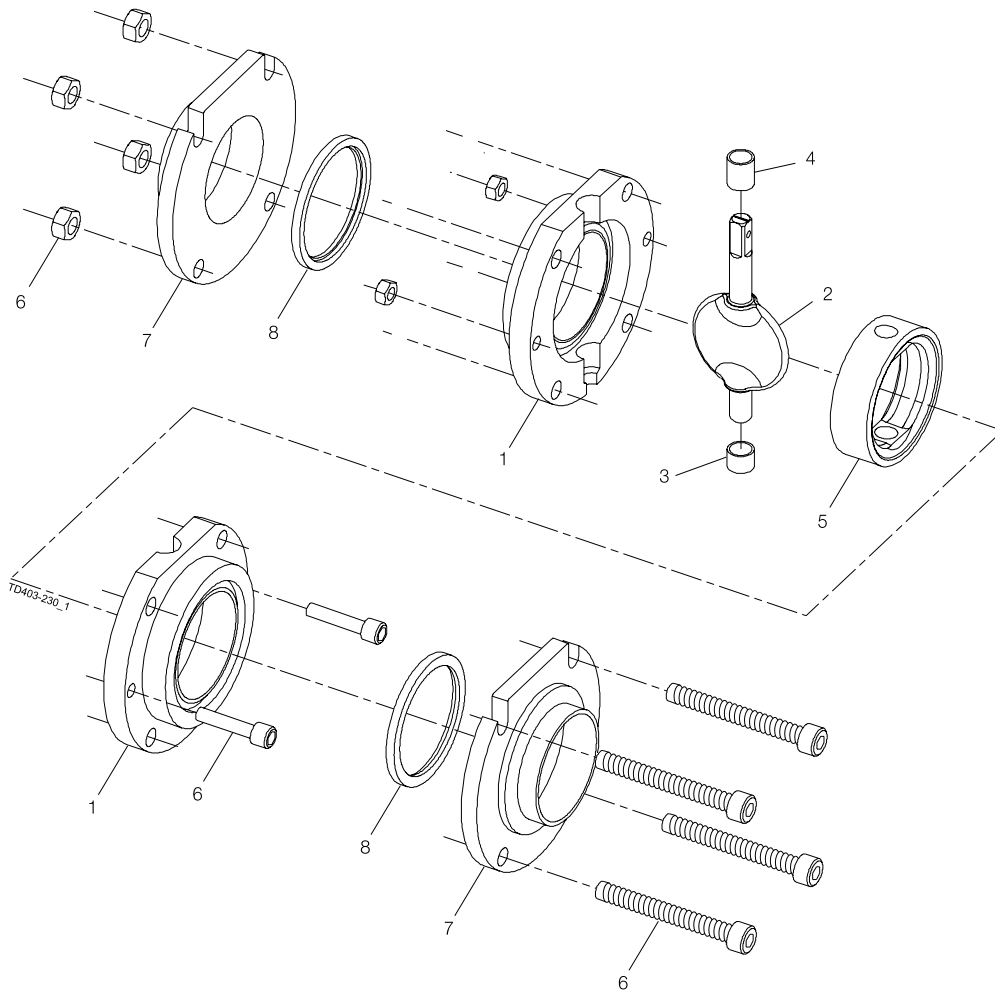
Parts marked with □ are included in the service kits.

Recommended spare parts: Service kits.

NB:

* Disc connection □ 10 for 101.6 mm and DN 100 is no longer available. Please rebuild the air-actuator or/and handle to: disc connection □ 12

** Service kits for PFA are delivered with EPDM flange seals.



LKB-F DIN

Pos	Qty	Denomination	DN 25 Disc □ 8	DN 32 Disc □ 8	DN 40 Disc □ 8	DN 50 Disc □ 8
1	2	Valve body half, (AISI 316 L)	9612402401	9612402402	9612402403	9612402404
	2	Valve body half, (AISI 304)				
2	1	Disc, (AISI 316L)	9612073604	9612073704	9612073804	9612073904
3	□ 1	Bush				
	1	Bush set (10 pcs.)	9614464002	9614464002	9614464002	9614464003
4	□ 1	Bush				
	1	Bush set (10 pcs.)	9614464002	9614464002	9614464002	9614464003
5	□ 1	Seal ring, (EPDM)				
	1	Seal ring, (Silicone Q)				
	1	Seal ring, (FPM)				
	1	Seal ring, (PFA on EPDM)				
	1	Seal ring, (HNBR)				
6	1	Set of screws and nuts	9612400101	9612400101	9612400101	
	1	Set of screws and nuts				9612400102
7	2	Flange, (AISI 316L)	9612402501	9612402502	9612402503	9612402504
	2	Flange, (AISI 304L)				
8	□ 2	Seal ring, (EPDM)				
	2	Seal ring, (Silicone, Q)				
	2	Seal ring, (FPM)				

Pos	Qty	Denomination	DN 65 Disc □ 10	DN 80 Disc □ 10	DN 100 Disc □ 12	DN 125 Disc □ 14	DN150 Disc □ 15
1	2	Valve body half, welding (AISI 316 L)	9612402405	9612402406	9612402407	9612402408	9612402409
	2	Valve body half, welding (AISI 304L)					
2	1	Disc, (AISI 316L)	9612074004	9612074104	9612074204	9612076904	9611413701
3	□ 1	Bush					
	1	Bush set (10 pcs)	9614464003	9614464003	9614464003	9614464008	9614464009
4	□ 1	Bush					
3	1	Bush set (10 pcs)	9614464003	9614464003	9614464004	9614464008	9614464009
5	□ 1	Seal ring, (EPDM)					
	1	Seal ring, (Silicone Q)					
	1	Seal ring, (FPM)					
	1	Seal ring, (PFA on EPDM)					
	1	Seal ring, (HNBR)					
6	1	Set of screws and nuts	9612400103	9612400103			
	1	Set of screws and nuts			9612400104		
	1	Set of screws and nuts				9612400105	
	1	Set of screws and nuts					9612400106
7	2	Flange, (AISI 316L)	9612402505	9612402506	9612402507	9612402508	9612402509
	2	Flange, (AISI 304L)					
8	□ 2	Seal ring, (EPDM)					
	2	Seal ring, (Silicone, Q)					
	2	Seal ring, (FPM)					

DN 25 Disc □ 8 DN 32 Disc □ 8 DN 40 Disc □ 8 DN 50 Disc □ 8

Service kits for product wetted parts

□	Service kit, EPDM	9611923100	9611923101	9611923102	9611923103
□	Service kit, Silicone (Q)	9611923109	9611923110	9611923111	9611923112
□	Service kit, FPM	9611923118	9611923119	9611923120	9611923121
	Service kit, HNBR	8010019278	8010019279	8010019280	8010019287
	Service kit, PFA				

DN 65 Disc □ 10 DN 80 Disc □ 10 DN 100 Disc □ 12 DN 125 Disc □ 14 DN 150 Disc □ 15

□	Service kit, EPDM	9611923104	9611923105	9611923106	9611923107	9611923108
□	Service kit, Silicone (Q)	9611923113	9611923114	9611923115	9611923116	9611923117
□	Service kit, FPM	9611923122	9611923123	9611923124	9611923125	9611923126
	Service kit, HNBR	8010019288	8010019289	8010019290	8010019291	8010020039
	Service kit, PFA					

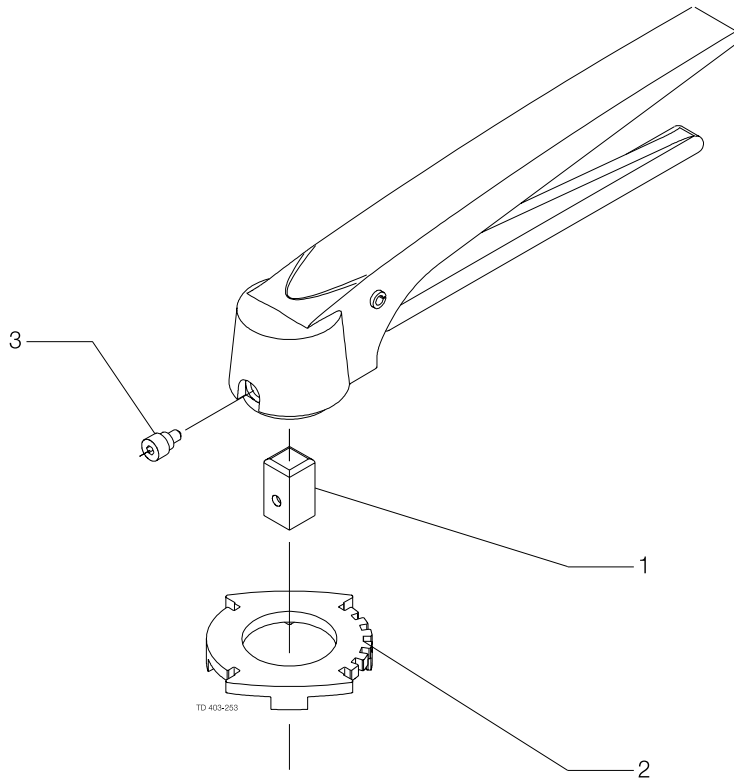
Parts marked with □ are included in the service kits.

Recommended spare parts: Service kits.

1) Seal ring is delivered assembled with disc.

NB: * Service kits for HNBR and PFA are delivered with EPDM flange seals.

900529/6

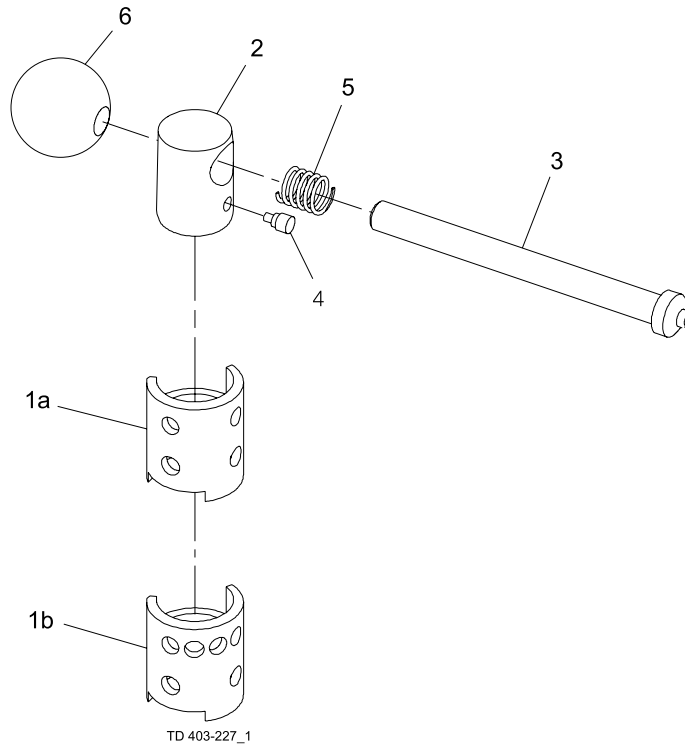


LKB Lockable Multiposition Handle for Valve

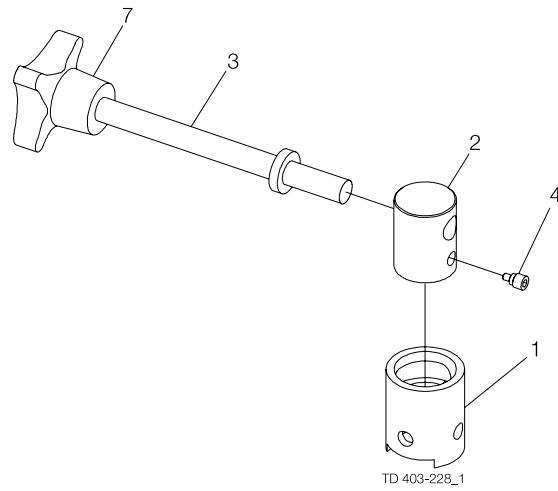
Pos	Qty	Denomination	Disc □ 8	Disc □ 10	Disc □ 12
1	1	Insert			
2	1	Positioning cap, (76-101.6 mm/DN65-100)			
		Positioning cap, (25-63.5 mm/DN25-50)			
3	1	Screw	9612045302	9612045301	9612045301

900530

Handle 1.1 for LKB butterfly valve



Handle 1.1 with infinite positions for LKB Butterfly valve



Handle 1.1 for Butterfly valve LKB (standard)

Pos	Qty	Denomination	25 – 63.5 mm 76 mm		101.6 mm	DN 125	DN 150
			DN 25 – 50 Disc □ 8	DN 65 – 80 Disc □ 10	DN 100 Disc □ 12	Disc □ 14	Disc □ 15
1a	1	Location cap , with 2 pos.					
1b	1	Location cap , with 4 pos.					
2	1	Transfer block					
3	1	Handle					
4	1	Screw with pin	9612045201	9612045301	9612045301	9612045301	9612045301
5	1	Spring	9611991998	9611991998			
6	1	Ball	9611991970	9611991970	9611991981	9611992512	9611992713

Handle 1.1 for Butterfly valve LKB (cap turned 90°)

Pos	Qty	Denomination	25 – 63.5 mm 76 mm		101.6 mm
			DN 25 – 50 Disc □ 8	DN 65 – 80 Disc □ 10	DN 100 Disc □ 12
1a	1	Location cap turned 90° 2 pos.			
1b	1	Location cap turned 90° 4 pos.			
2	1	Transfer block			
3	1	Handle			
4	1	Screw with pin	9612045201	9612045301	9612045301
5	1	Spring	9611991998	9611991998	9611991982
6	1	Ball	9611991970	9611991970	9611991981

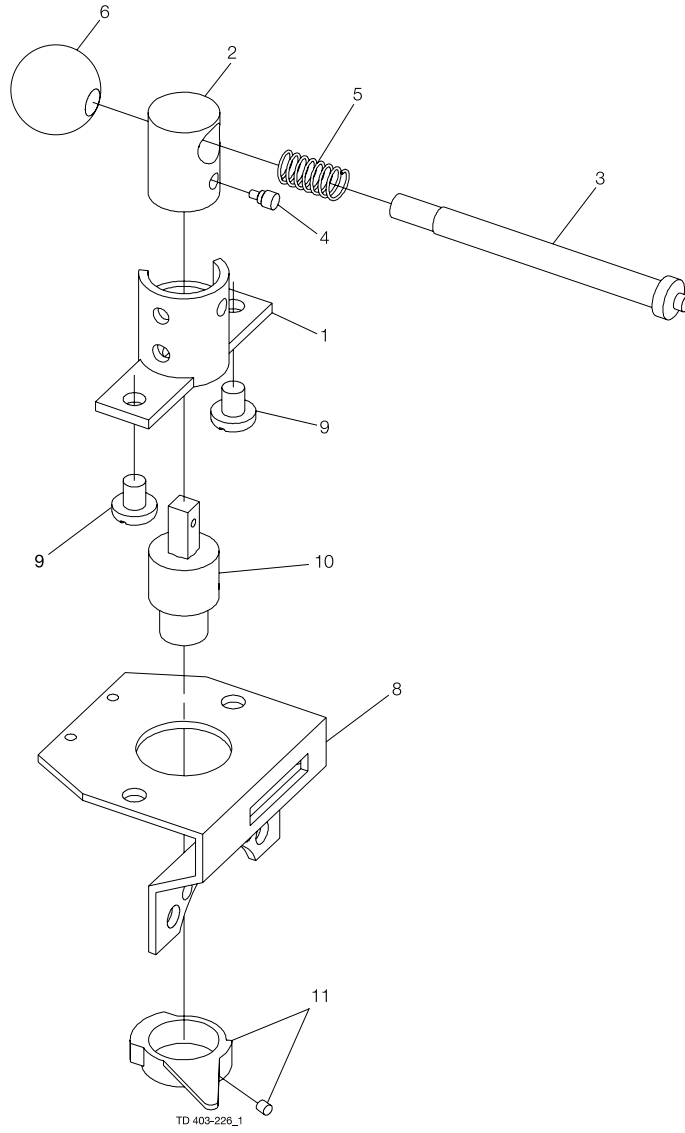
Handle 1.1 with infinite positions for Butterfly valve LKB

Pos	Qty	Denomination	25 – 63.5 mm 76 mm		101.6 mm
			DN 25 – 50 Disc □ 8	DN 65 – 80 Disc □ 10	DN 100 Disc □ 12
1	1	Location cap			
2	1	Transfer block			
3	1	Handle			
4	1	Screw with pin	9612045201	9612045301	9612045301
7	1	Crosshead			

NB:

- 1) Handle 1.1 with □ 10 connection can also be used for old version 101.6 mm DN 100 LKB valve.
- 1) Handle 1.1 with □ 8 connection can also be used for old version DN 65 LKB valve.

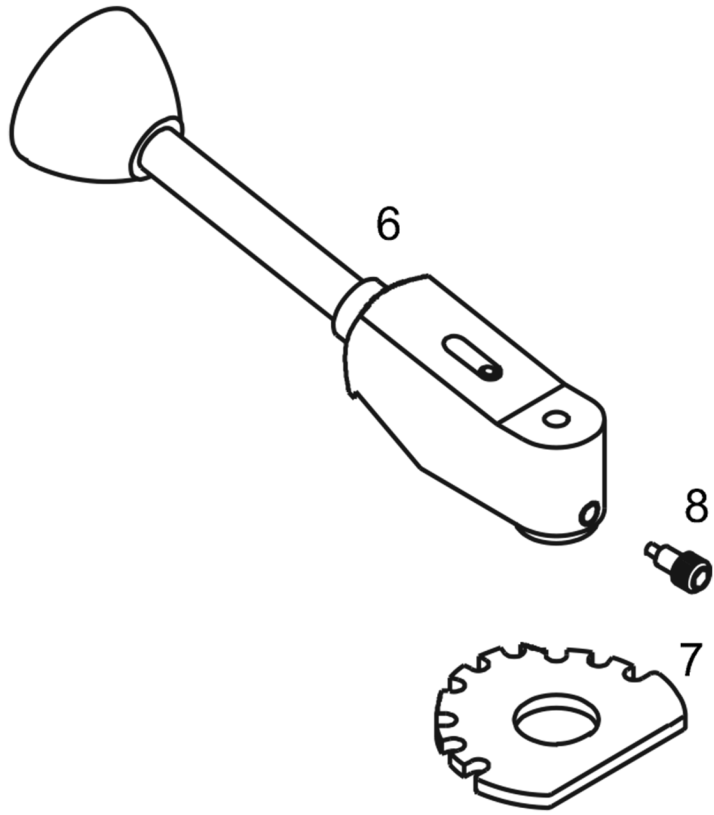
900265



Handle 1.1 for Indication Unit

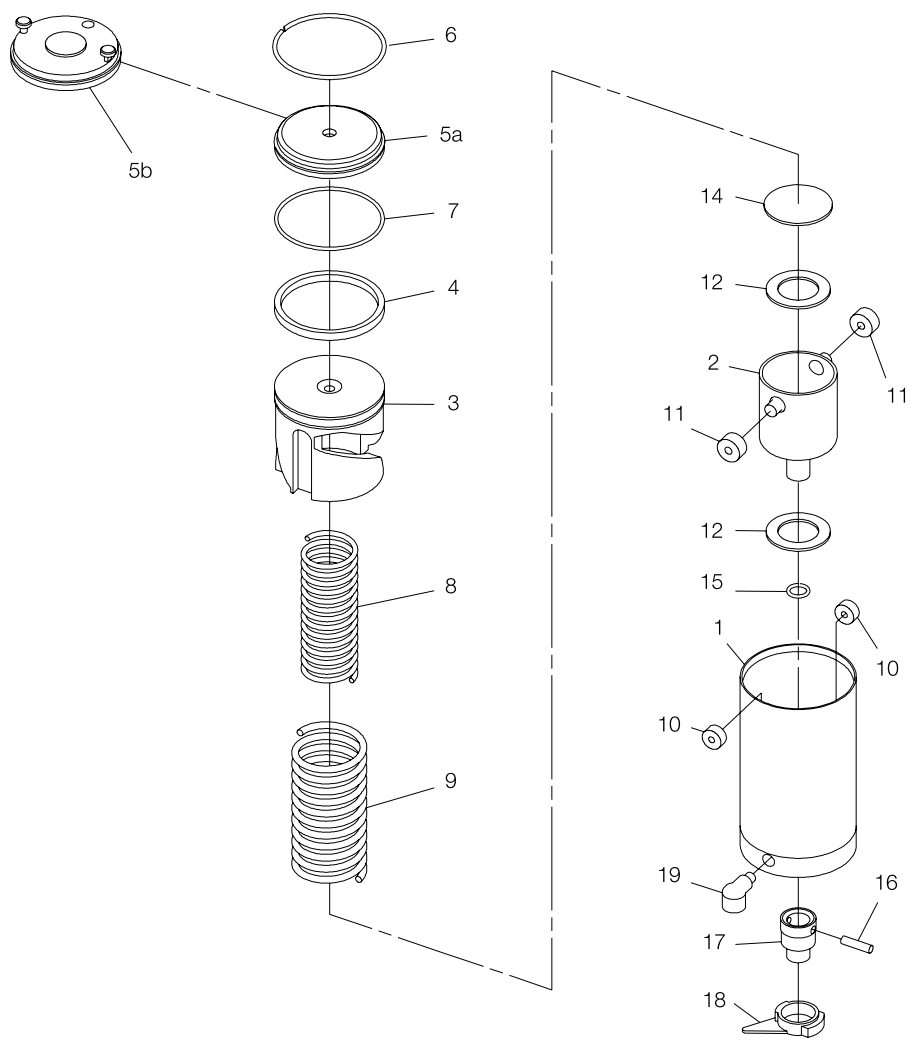
Pos	Qty	Denomination	25 – 63.5 mm	76 mm	101.6 mm	DN 65
			DN 25–50 Disc □ 8	DN 80 Disc □ 10	DN 100 Disc □ 12	(LKB–DIN) Disc □ 10
1	1	Location cap with 2 pos.				
2	1	Transfer block				
3	1	Handle				
4	1	Screw with pin	9612045201	9612045301	9612045301	9612045301
5	1	Spring	9611991998	9611991998	9611991982	9611991998
6	1	Ball	9611991970	9611991970	9611991981	9611991970
8	1	Bracket	9611416470	9611416480	9611416480	9612081502
9	2	Screw	9611991686	9611991686	9611991686	9611991686
10	1	Coupling				
11	1	Activating ring with screw	9611416690	9611416690	9611416690	9611416690

900167/1



Handle for Tri-Clover Butterfly Valves Series G

Pos	Qty	Denomination	1"	1 1/2"	2"	2 1/2"	3"	4"
6	1	Handle	331015	331015	331015	331015	331016	331016
7	1	Stop Plate	331141C	331141C	331141C	331141C	331142C	331142C
8	1	Ret. Screw	330028	330028	330028	330028	330035	330035



TD 407-025

Pos	Qty	Q- Denomination	NC	NC	NC	NO	NO	NO
			25-63.5 mm DN 25-50 Disc □ 8	76 mm DN 65-80 Disc □ 10	101.6 mm DN 100 Disc □ 12	25-63.5 mm DN 25-50 Disc □ 8	76 mm DN 65-80 Disc □ 10	101.6 mm DN 100 Disc □ 12
1	1	Air cylinder	9611417580	9611417580	9611417580	9611417580	9611417580	9611417580
2	1	Rotating cylinder	9611416380	9611416380	9611416380	9611416380	9611416380	9611416380
3	1	Piston	9612194401	9612194401	9612194401	9612194301	9612194301	9612194301
4 □	1	O-ring, NBR	9611990052	9611990052	9611990052	9611990052	9611990052	9611990052
5a	1	End cap, (Period 0011-)	9611416330	9611416330	9611416330	9611416330	9611416330	9611416330
	1	End cap, (Period 8301-0011) .	3135707401	3135707401	3135707401	3135707401	3135707401	3135707401
6	1	Retaining ring	9611402021	9611402021	9611402021	9611402021	9611402021	9611402021
7 □	1	O-ring, NBR	9611990396	9611990396	9611990396	9611990396	9611990396	9611990396
8	1	Inner spring	9611991629	9611991629	9611991629	9611991629	9611991629	9611991629
9	1	Outer spring	9611991631	9611991631	9611991631	9611991631	9611991631	9611991631
10 □	2	Needle bearing	9611991230	9611991230	9611991230	9611991230	9611991230	9611991230
11 □	2	Needle bearing	9611991231	9611991231	9611991231	9611991231	9611991231	9611991231
12 □	2	Thrust bearing	9611991236	9611991236	9611991236	9611991236	9611991236	9611991236
14	1	Thrust plate	9611416460	9611416460	9611416460	9611416460	9611416460	9611416460
15 □	1	O-ring, NBR	9611991233	9611991233	9611991233	9611991233	9611991233	9611991233
16	1	Connex pin	9611991235	9611991235	9611991235	9611991235	9611991235	9611991235
17	1	Coupling	9611416440	9611416450	9612044703	9611416440	9611416450	9612044703
18	1	Activating ring, Noryl with screw	9611416690	9611416690	9611416690	9611416690	9611416690	9611416690
19	1	Water rejector (period 8310-)	9611417750	9611417750	9611417750	9611417750	9611417750	9611417750

NC/NO for Altop

Pos	Qty	Q- Denomination	NC	NC	NC	NO	NO	NO
			25-63.5 mm DN 25-50 Disc □ 8	76 mm DN 65-80 Disc □ 10	101.6 mm DN 100 Disc □ 12	25-63.5 mm DN 25-50 Disc □ 8	76 mm DN 65-80 Disc □ 10	101.6 mm DN 100 Disc □ 12
5b	1	End cap, Mark III	9611416740	9611416740	9611416740	9611416740	9611416740	9611416740

All other parts as above.

Service kit for actuator

Service kits, air/spring 9611923010

Note:

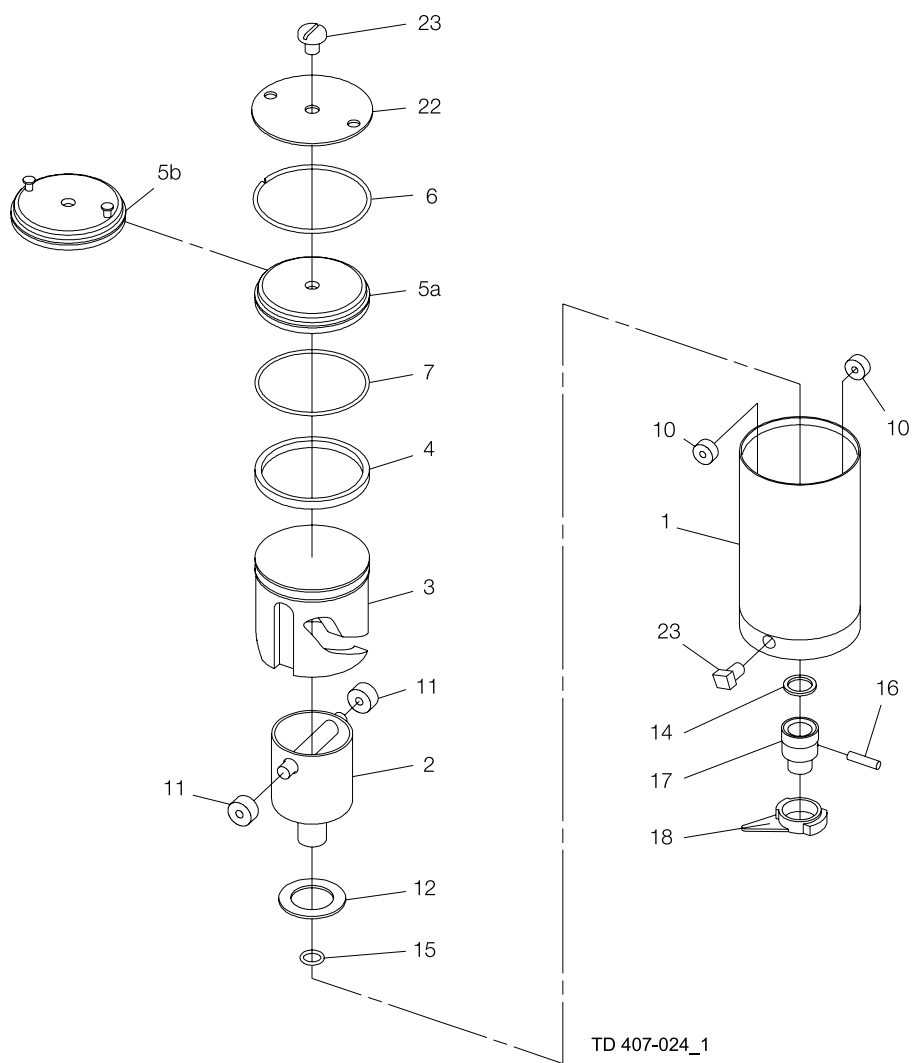
Butterfly valve 101.6 mm / DN100 sold before 8906 = □ 10 mm

Butterfly valve DN 65 (ISO) sold before 8910 = □ 8 mm

Please check the square size of the disc when ordering spares.

Parts marked with □ are included in the service kit.

Recommended spare parts: Service kit.



Pos	Qty	Denomination	25-63.5 mm	76 mm	101.6 mm
			DN 25-50	DN 65-80	DN 100
			Disc □ 8	Disc □ 10	Disc □ 12
1	1	Air cylinder	9611417580	9611417580	9611417580
2	1	Rotating cylinder	9611417440	9611417440	9611417440
3	1	Piston	9611417520	9611417520	9611417520
4 □	1	O-ring, NBR	9611990052	9611990052	9611990052
5a	1	End cap, (Period 0011-)	9611416330	9611416330	9611416330
	1	End cap, (Period 8301-0011)	3135707401	3135707401	3135707401
6	1	Retaining ring	9611402021	9611402021	9611402021
7 □	1	O-ring, NBR	9611990396	9611990396	9611990396
10 □	2	Needle bearing	9611991230	9611991230	9611991230
11 □	2	Needle bearing	9611991231	9611991231	9611991231
12 □	1	Thrust bearing	9611991236	9611991236	9611991236
14	1	Thrust plate	9611417570	9611417570	9611417570
15 □	1	O-ring, NBR	9611991233	9611991233	9611991233
16	1	Connex pin	9611991235	9611991235	9611991235
17	1	Coupling	9611417550	9611417560	9612044802
18	1	Activating ring with screw	9611416690	9611416690	9611416690
22	1	Retaining plate	9611414370	9611414370	9611414370
23	2	Threaded plug	9611991221	9611991221	9611991221

Air/air for Altop

Pos	Qty	Denomination	25-63.5 mm	76 mm	101.6 mm
			DN 25-50	DN 65-80	DN 100
			Disc □ 8	Disc □ 10	Disc □ 12
5b	1	End cap, Mark III	9611416740	9611416740	9611416740

All other parts as above.

Service kits for actuator

Service kits, air/air

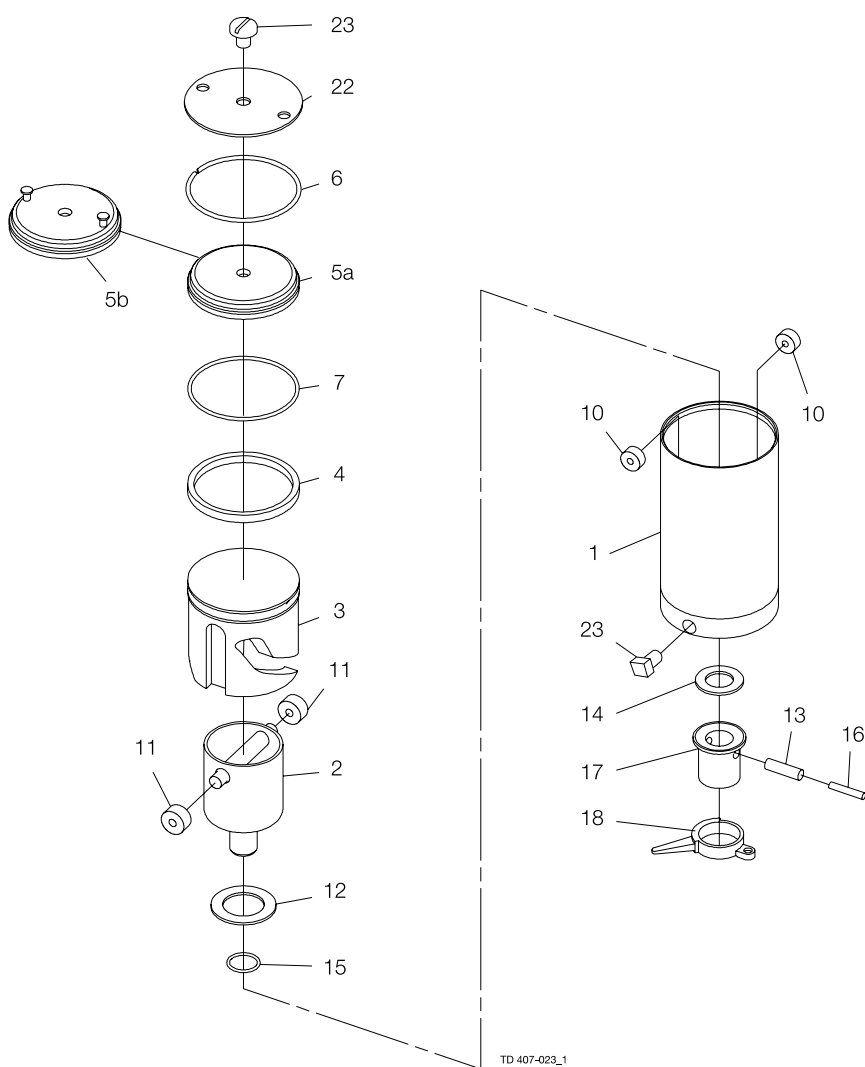
9611923011

Note:

*** Up to 8910 supplied without holes, not available anymore
 Butterfly valve 101.6 mm / DN100 sold before 8906 = □ 10 mm
 Butterfly valve DN 65 (ISO) sold before 8910 = □ 8 mm
 Please check the square size of the disc when ordering spares.

Parts marked with □ are included in the service kit.
 Recommended spare parts: Service kit.

900129/1



Pos	Qty	Denomination	DN 125	DN 150
			Disc □ 14	Disc □ 15
1	1	Air cylinder	9611417420	9611417420
2	1	Rotating cylinder	9611417440	9611417440
3	1	Piston	9611417520	9611417520
4 □	1	O-ring, NBR	9611990052	9611990052
5a	1	End cap, (Period 0011-)	9611416330	9611416330
	1	End cap, (Period 8301-0011)	3135707401	3135707401
6	1	Retaining ring	9611402021	9611402021
7 □	1	O-ring, NBR	9611990396	9611990396
10 □	2	Needle bearing	9611991230	9611991230
11 □	2	Needle bearing	9611991231	9611991231
12 □	1	Thrust bearing	9611991236	9611991236
13	1	Connex pin	9611991314	9611991314
14	1	Thrust plate	9611417540	9611417540
15 □	1	O-ring, NBR	9611990030	9611990030
16	1	Connex pin	9611991313	9611991313
17	1	Coupling	9612285602	9611417471
18	1	Activating ring with screw	9611416650	9611416650
22 ***	1	Retaining plate	9611414370	9611414370
23	2	Threaded plug	9611991221	9611991221

Air/air for Altop

Pos	Qty	Denomination	Disc □ 14	Disc □ 15
5b	1	End cap, Mark III	9611416740	9611416740

All other parts as above.

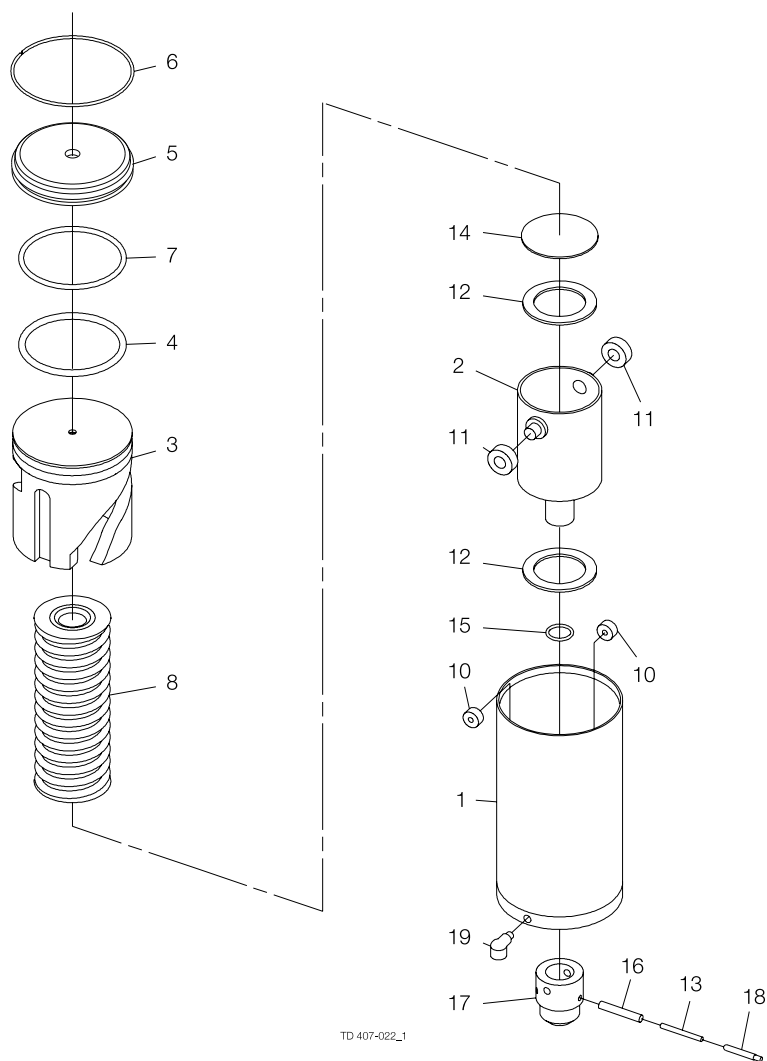
Service kits for actuator

Service kits, air/air 9611923012

*** Up to 8910 supplied without holes, not available anymore

Parts marked with □ are included in the service kit.

Recommended spare parts: Service kit.



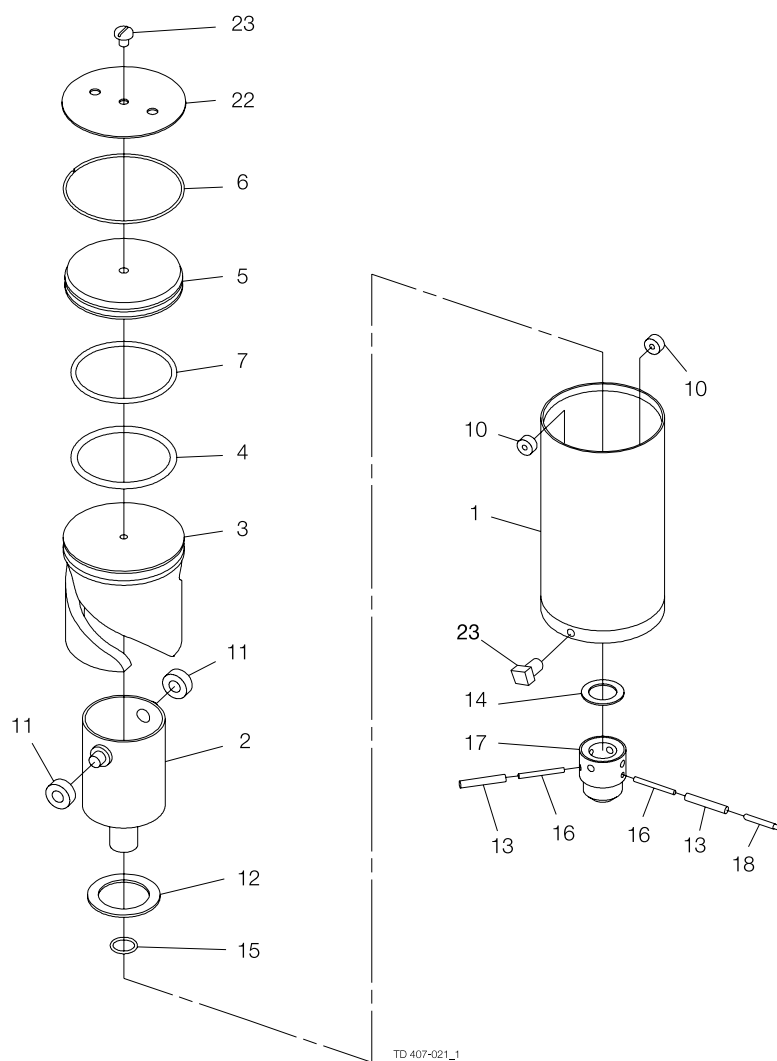
Pos	Q-ty	Denomination	NC	NO	NC	NO	NC	NO
			101.6 mm DN 100 Disc □ 12	101.6 mm DN 100 Disc □ 12	DN 125 Disc □ 14	DN 125 Disc □ 14	DN 150 Disc □ 15	DN 150 Disc □ 15
1	1	Air cylinder	9612268501	9612268501	9612268501	9612268501	9612268501	9612268501
2	1	Rotating cylinder	9612267801	9612267801	9612267801	9612267801	9612267801	9612267801
3	1	Piston	9612270002	9612268002	9612270002	9612268002	9612270002	9612268002
4	□ 1	O-ring, NBR	9611992367	9611992367	9611992367	9611992367	9611992367	9611992367
5	1	End cap, (Period: 0011-)	9612267501	9612267501	9612267501	9612267501	9612267501	9612267501
	1	End cap, (Period:9001 - 0011)	9612271401	9612271401	9612271401	9612271401	9612271401	9612271401
6	1	Retaining ring	9612268201	9612268201	9612268201	9612268201	9612268201	9612268201
7	□ 1	O-ring, NBR	9611990035	9611990035	9611990035	9611990035	9611990035	9611990035
8	1	Spring assembly	9612270101	9612270101	9612270101	9612270101	9612270101	9612270101
10	□ 2	Needle bearing	9611991231	9611991231	9611991231	9611991231	9611991231	9611991231
11	□ 2	Needle bearing	9611992355	9611992355	9611992355	9611992355	9611992355	9611992355
12	□ 2	Thrust bearing	9611992347	9611992347	9611992347	9611992347	9611992347	9611992347
13	1	Connex pin	9611992357	9611992357	9611992357	9611992357	9611992357	9611992357
14	1	Thrust plate	9612267101	9612267101	9612267101	9612267101	9612267101	9612267101
15	□ 1	O-ring, NBR	9611990079	9611990079	9611990079	9611990079	9611990079	9611990079
16	1	Connex pin	9611992358	9611992358	9611992358	9611992358	9611992358	9611992358
17	1	Coupling	9612271501	9612271501	9612271502	9612271502	9612271503	9612271503
18	1	Indication pin	9612271901	9612271901	9612271901	9612271901	9612271901	9612271901
19	1	Water rejector	9611417750	9611417750	9611417750	9611417750	9611417750	9611417750
21	1	Air fitting	9611991988	9611991988	9611991988	9611991988	9611991988	9611991988

Service kits for actuator

Service kits, air/spring 9611923020

Parts marked with □ are included in the service kit.

Recommended spare parts: service kit.

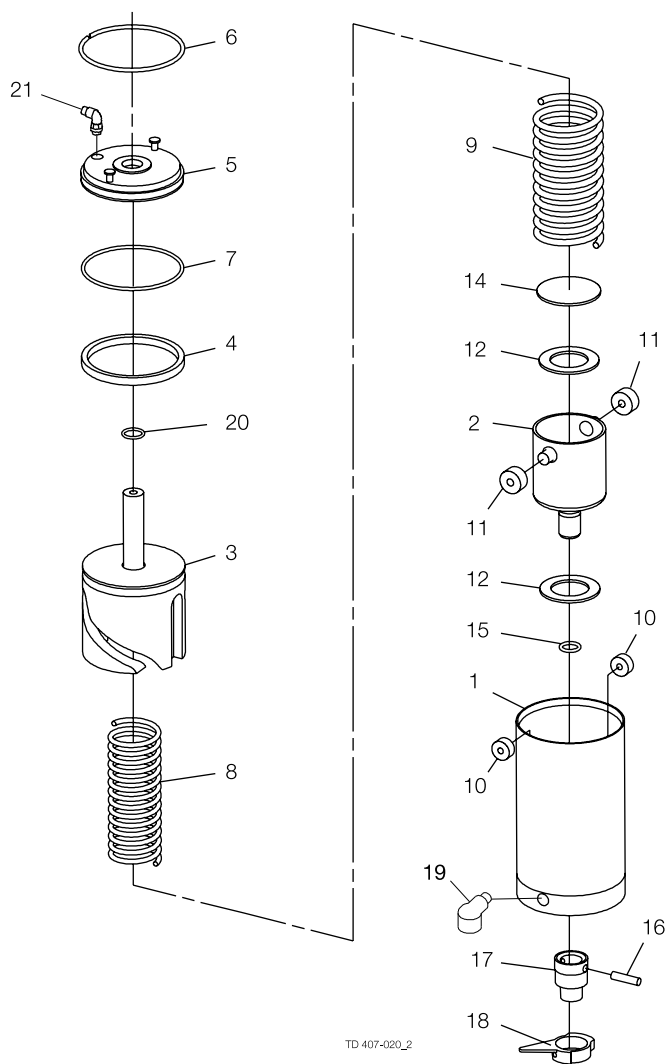


Pos	Qty	Denomination	101.6 mm		
			DN 100 Disc □ 12	DN 125 Disc □ 14	DN 150 Disc □ 15
1	1	Air Cylinder	9612268501	9612268501	9612268501
2	1	Rotating cylinder	9612267801	9612267801	9612267801
3	1	Piston	9612268001	9612268001	9612268001
4	□	O-ring, NBR	9611992367	9611992367	9611992367
5	1	End cap, (Period: 0011-)	9612267501	9612267501	9612267501
	1	End cap, (Period:9001 - 0011)	9612271401	9612271401	9612271401
6	1	Retaining ring	9612268201	9612268201	9612268201
7	□	O-ring , NBR	9611990035	9611990035	9611990035
10	□	2 Needle bearing	9611991231	9611991231	9611991231
11	□	2 Needle bearing	9611992355	9611992355	9611992355
12	□	1 Thrust bearing	9611992347	9611992347	9611992347
13	2	Connex pin	9611992358	9611992358	9611992358
14	1	Thrust plate	9612280401	9612280401	9612280401
15	□	O-ring, NBR	9611990079	9611990079	9611990079
16	2	Connex pin	9611992357	9611992357	9611992357
17	1	Coupling	9612282701	9612282702	9612282703
18	1	Indication pin	9612271901	9612271901	9612271901
22	1	Retaining plate	9612348601	9612348601	9612348601
23	1	Threaded plug	9611991221	9611991221	9611991221

Service kits for actuator

Service kits, air/air 9611923022

Parts marked with □ are included in the service kit.
 Recommended spare parts: service kit.

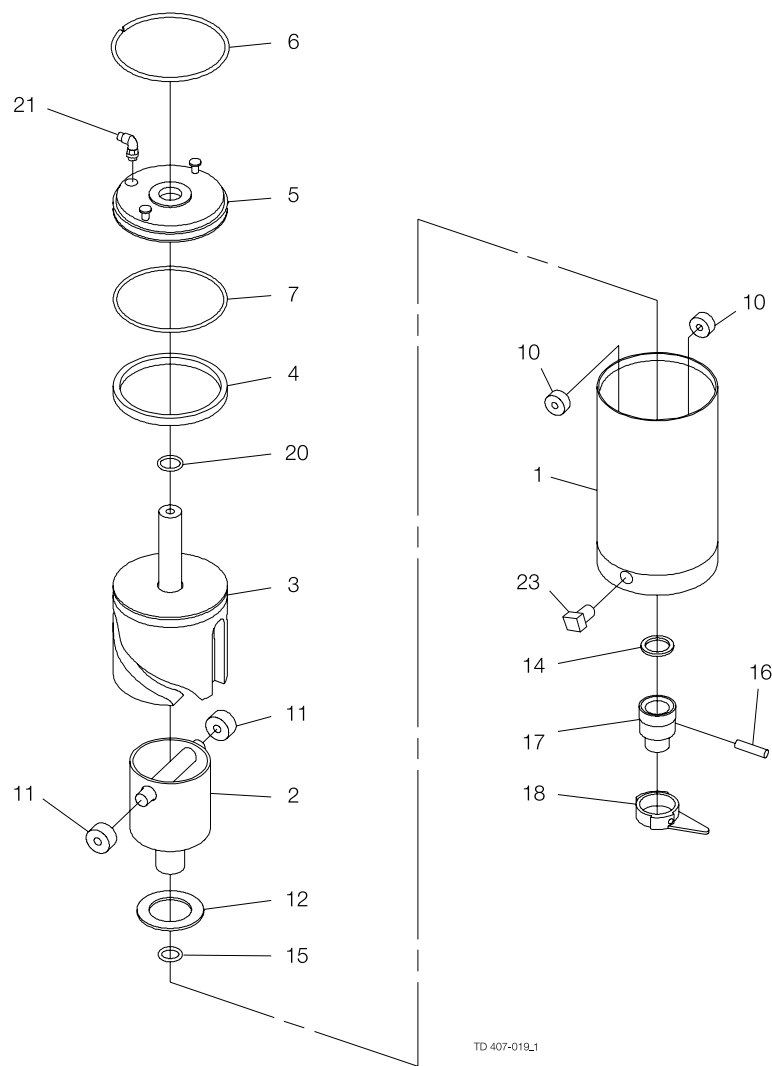


Pos	Qty	Q- Denomination	NC	NC	NC	NO	NO	NO
			25-63.5 mm DN 25-50 Disc □ 8	76 mm DN 65-80 Disc □ 10	101.6 mm DN 100 Disc □ 12	25-63.5 mm DN 25-50 Disc □ 8	76 mm DN 65-80 Disc □ 10	101.6 mm DN 100 Disc □ 12
1	1	Air cylinder	9611417580	9611417580	9611417580	9611417580	9611417580	9611417580
2	1	Rotating cylinder	9611416380	9611416380	9611416380	9611416380	9611416380	9611416380
3	1	Piston	9612193902	9612193902	9612193902	9612193901	9612193901	9612193901
4	□	O-ring, NBR	9611990052	9611990052	9611990052	9611990052	9611990052	9611990052
5	1	End cap	9612193601	9612193601	9612193601	9612193601	9612193601	9612193601
6	1	Retaining ring	9611402021	9611402021	9611402021	9611402021	9611402021	9611402021
7	□	O-ring, NBR	9611990396	9611990396	9611990396	9611990396	9611990396	9611990396
8	1	Inner spring	9611991629	9611991629	9611991629	9611991629	9611991629	9611991629
9	1	Outer spring	9611991631	9611991631	9611991631	9611991631	9611991631	9611991631
10	□	2 Needle bearing	9611991230	9611991230	9611991230	9611991230	9611991230	9611991230
11	□	2 Needle bearing	9611991231	9611991231	9611991231	9611991231	9611991231	9611991231
12	□	2 Thrust bearing	9611991236	9611991236	9611991236	9611991236	9611991236	9611991236
14	1	Thrust plate	9611416460	9611416460	9611416460	9611416460	9611416460	9611416460
15	□	O-ring, NBR	9611991233	9611991233	9611991233	9611991233	9611991233	9611991233
16	1	Connex pin	9611991235	9611991235	9611991235	9611991235	9611991235	9611991235
17	1	Coupling	9611416440	9611416450	9612044703	9611416440	9611416450	9612044703
18	1	Activating ring with screw	9611416690	9611416690	9611416690	9611416690	9611416690	9611416690
20	□	O-ring, NBR	22340421	22340421	22340421	22340421	22340421	22340421
21	1	Air fitting	9611991988	9611991988	9611991988	9611991988	9611991988	9611991988
76	1	Positioner 8694 (incl. Pos. 77 to 85) - without display	9611995267	9611995267	9611995267			
	1	Positioner 8692 (incl. Pos. 77 to 85) - with display	9611995269	9611995269	9611995269			
77	1	Positioner 8694 without display						
78	1	Positioner 8692 with display						
	1	Adapter, cpl. (incl. Pos. 79 to 84)	9611995338	9611995338	9611995338			
79	1	Spindle						
80	1	Special X-ring	9612569601	9612569601	9612569601			
81	2	Allen screw	9611993409	9611993409	9611993409			
82	1	Adapter						
83	1	O-ring	9611995273	9611995273	9611995273			
84	1	Gasket for adapter	9611995274	9611995274	9611995274			
85	1	Puck sensorpad, cpl.	9611995275	9611995275	9611995275			

Service kits for actuator

□	Service kits,	9611923021	9611923021	9611923021	9611923021
---	----------------------	-------------------	-------------------	-------------------	-------------------

Parts marked with □ are included in the service kit.
Recommended spare parts: service kit.



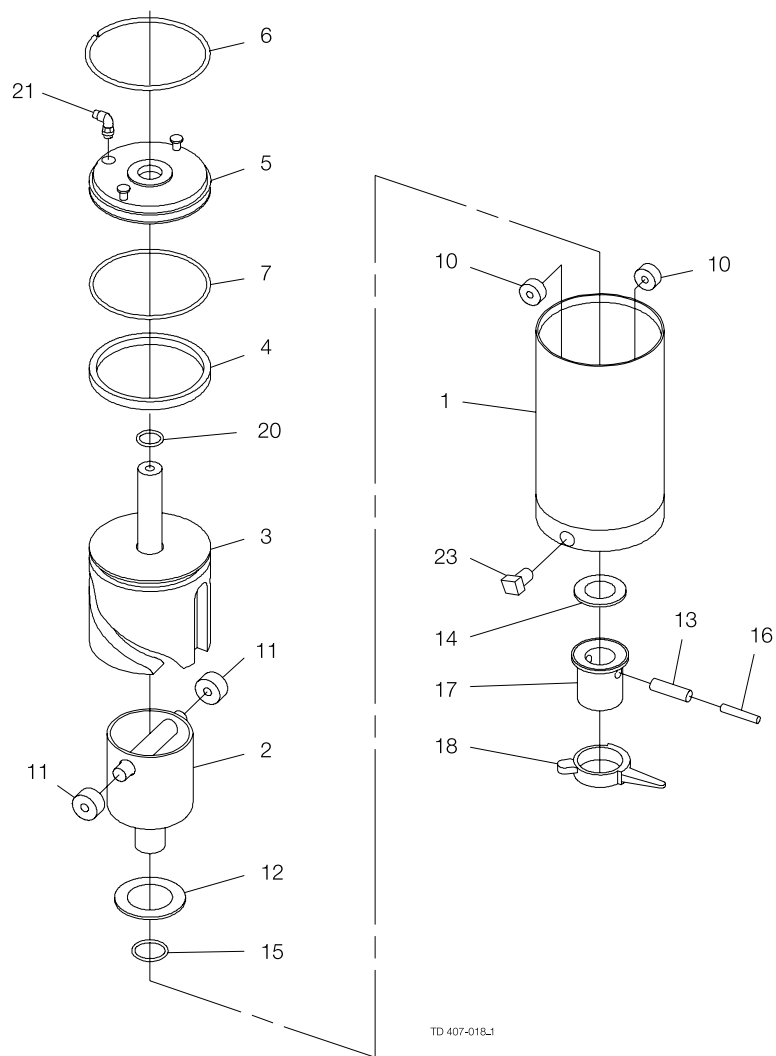
Pos	Qty	Denomination	25-63.5 mm	76 mm	101.6 mm
			DN 25-50 Disc □ 8	DN 65-80 Disc □ 10	DN 100 Disc □ 12
1	1	Air cylinder	9611417580	9611417580	9611417580
2	1	Rotating cylinder	9611417441	9611417441	9611417441
3	1	Piston	9612193903	9612193903	9612193903
4	□ 1	O-ring, NBR	9611990052	9611990052	9611990052
5	1	End cap	9612193601	9612193601	9612193601
6	1	Retaining ring	9611402021	9611402021	9611402021
7	□ 1	O-ring, NBR	9611990396	9611990396	9611990396
10	□ 2	Needle bearing	9611991230	9611991230	9611991230
11	□ 2	Needle bearing	9611991231	9611991231	9611991231
12	□ 1	Thrust bearing	9611991236	9611991236	9611991236
14	1	Thrust plate	9611417570	9611417570	9611417570
15	□ 1	O-ring, NBR	9611991233	9611991233	9611991233
16	1	Connex pin	9611991235	9611991235	9611991235
17	1	Coupling	9611417551	9611417561	9612044802
18	1	Activating ring with screw	9611416690	9611416690	9611416690
20	□ 1	O-ring, NBR	22340421	22340421	22340421
21	1	Air fitting	9611991988	9611991988	9611991988
23	1	Threaded plug	9611991221	9611991221	9611991221

Service kits for actuator

Service kits, air/air 9611923023

Parts marked with □ are included in the service kit.

Recommended spare parts: service kit.



Pos	Qty	Denomination	DN 125	DN 150
			Disc □ 14	Disc □ 15
1	1	Air cylinder	9611417420	9611417420
2	1	Rotating cylinder	9611417440	9611417440
3	1	Piston	9612193903	9612193903
4	□ 1	O-ring, NBR	9611990052	9611990052
5	1	End cap	9612193601	9612193601
6	1	Retaining ring	9611402021	9611402021
7	□ 1	O-ring, NBR	9611990396	9611990396
10	□ 2	Needle bearing	9611991230	9611991230
11	□ 2	Needle bearing	9611991231	9611991231
12	□ 1	Thrust bearing	9611991236	9611991236
13	1	Connex pin	9611991314	9611991314
14	1	Thrust plate	9611417540	9611417540
15	□ 1	O-ring, NBR	9611990030	9611990030
16	1	Connex pin	9611991313	9611991313
17	1	Coupling	9612285602	9611417471
18	1	Activating ring with screw	9611416650	9611416650
20	□ 1	O-ring, NBR	22340421	22340421
21	1	Air fitting	9611991988	9611991988
23	1	Threaded plug	9611991221	9611991221

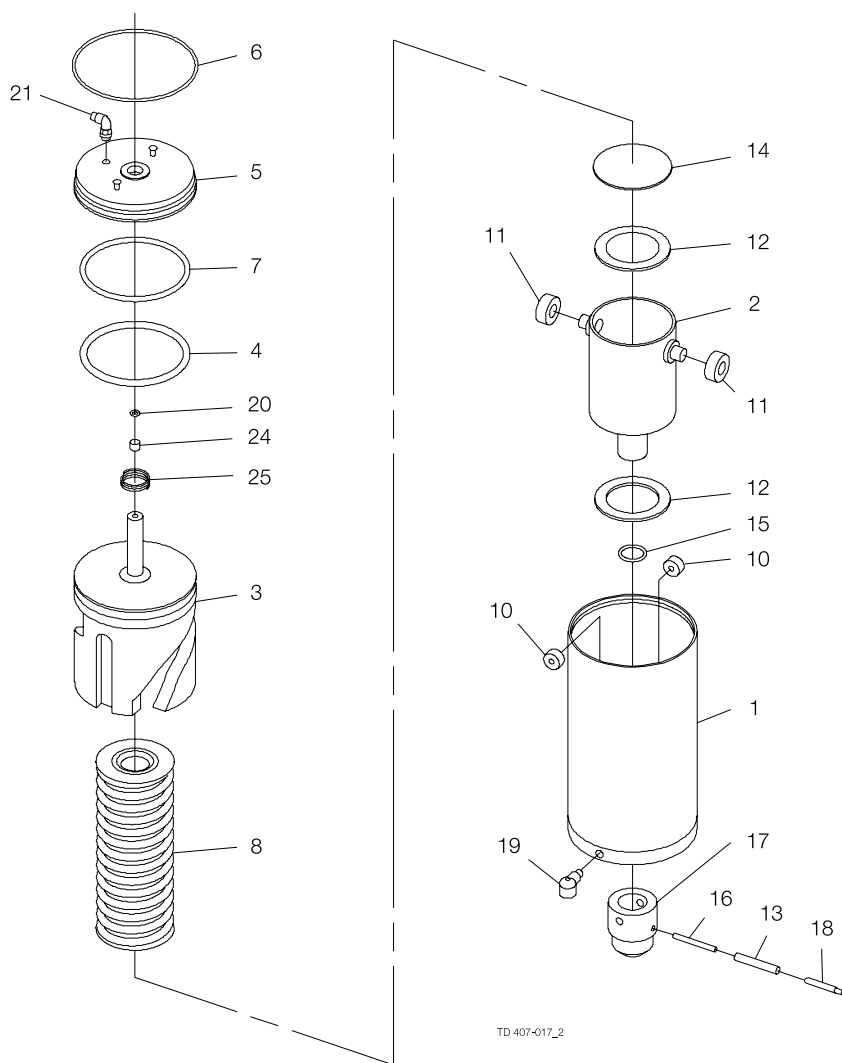
Service kits for actuator

Service kits, air/air	9611923024
-----------------------------	------------

Parts marked with □ are included in the service kit.

Recommended spare parts: service kit.

900135/1



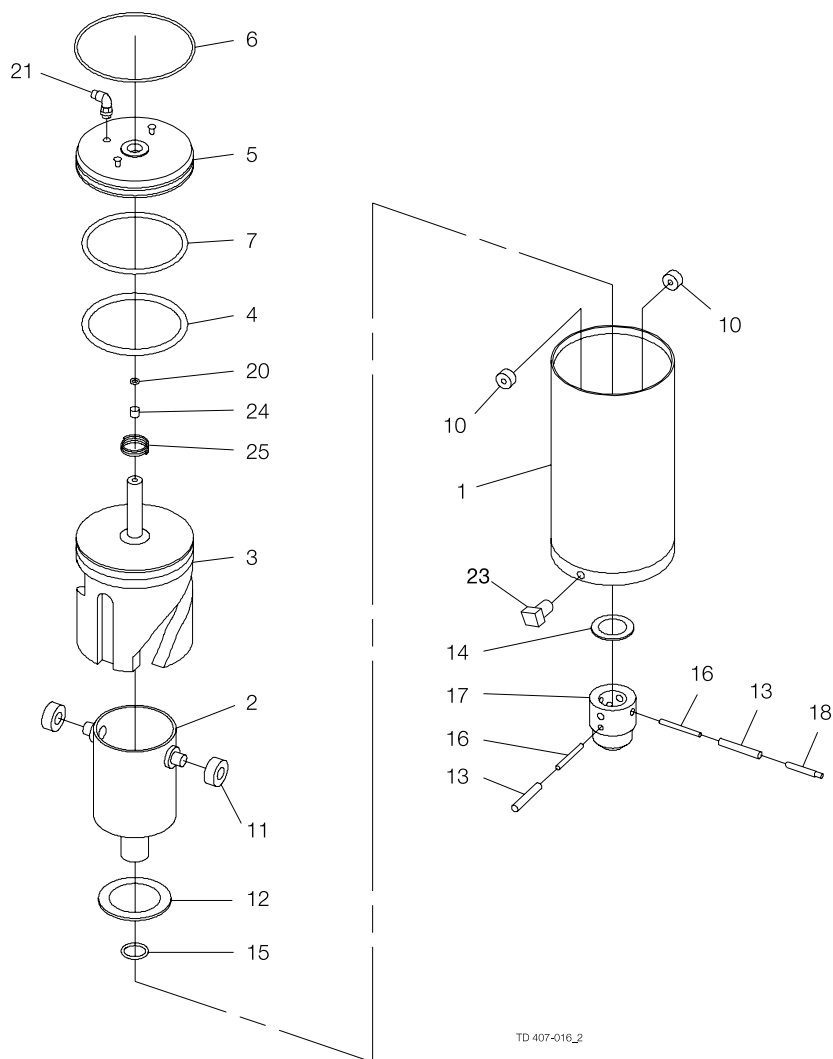
Pos	Qty	Q- Denomination	NC	NO	NC	NO	NC	NO
			101.6 mm DN 100 Disc □ 12	101.6 mm DN 100 Disc □ 12	DN 125 Disc □ 14	DN 125 Disc □ 14	DN 150 Disc □ 15	DN 150 Disc □ 15
1	1	Air cylinder	9612268501	9612268501	9612268501	9612268501	9612268501	9612268501
2	1	Rotating cylinder	9612267801	9612267801	9612267801	9612267801	9612267801	9612267801
3	1	Piston	9612369901	9612369902	9612369901	9612369902	9612369901	9612369902
4	□	O-ring, NBR	9611992367	9611992367	9611992367	9611992367	9611992367	9611992367
5	1	End cap	9612271402	9612271402	9612271402	9612271402	9612271402	9612271402
6	1	Retaining ring	9612268201	9612268201	9612268201	9612268201	9612268201	9612268201
7	□	O-ring, NBR	9611990035	9611990035	9611990035	9611990035	9611990035	9611990035
8	1	Spring assembly	9612270101	9612270101	9612270101	9612270101	9612270101	9612270101
10	□	Needle bearing	9611991231	9611991231	9611991231	9611991231	9611991231	9611991231
11	□	Needle bearing	9611992355	9611992355	9611992355	9611992355	9611992355	9611992355
12	□	Thrust bearing	9611992347	9611992347	9611992347	9611992347	9611992347	9611992347
13	1	Connex pin	9611992357	9611992357	9611992357	9611992357	9611992357	9611992357
14	1	Thrust plate	9612267101	9612267101	9612267101	9612267101	9612267101	9612267101
15	□	O-ring, NBR	9611990079	9611990079	9611990079	9611990079	9611990079	9611990079
16	1	Connex pin	9611992358	9611992358	9611992358	9611992358	9611992358	9611992358
17	1	Coupling	9612271501	9612271501	9612271502	9612271502	9612271503	9612271503
18	1	Indication pin	9612271901	9612271901	9612271901	9612271901	9612271901	9612271901
19	1	Water rejector (period 8310-)	9611417750	9611417750	9611417750	9611417750	9611417750	9611417750
20	□	O-ring	22340421	22340421	22340421	22340421	22340421	22340421
21	1	Air fitting	9611991988	9611991988	9611991988	9611991988	9611991988	9611991988
24	□	Guiding ring	9612369801	9612369801	9612369801	9612369801	9612369801	9612369801
25	1	Spring	9612370001	9612370001	9612370001	9612370001	9612370001	9612370001

Service kits for actuator

Service kits, air/spring 9611923056

Parts marked with □ are included in the service kit.

Recommended spare parts: service kit.



		9612374908		
		101.6 mm	9612374913	9612374918
		DN 100	DN 125	DN 150
Pos	Qty Denomination	Disc □ 12	Disc □ 14	Disc □ 15
1	1 Air cylinder	9612268501	9612268501	9612268501
2	1 Rotating cylinder	9612267801	9612267801	9612267801
3	1 Piston	9612369902	9612369902	9612369902
4	□ 1 O-ring, NBR	9611992367	9611992367	9611992367
5	1 End cap	9612271402	9612271402	9612271402
6	1 Retaining ring	9612268201	9612268201	9612268201
7	□ 1 O-ring, NBR	9611990035	9611990035	9611990035
10	□ 2 Needle bearing	9611991231	9611991231	9611991231
11	□ 2 Needle bearing	9611992355	9611992355	9611992355
12	□ 1 Thrust bearing	9611992347	9611992347	9611992347
13	2 Connex pin	9611992358	9611992358	9611992358
14	1 Thrust plate	9612280401	9612280401	9612280401
15	□ 1 O-ring, NBR	9611990079	9611990079	9611990079
16	2 Connex pin	9611992357	9611992357	9611992357
17	1 Coupling	9612282701	9612282702	9612282703
18	1 Indication pin	9612271901	9612271901	9612271901
20	□ 1 O-ring, NBR	22340421	22340421	22340421
21	1 Air fitting	9611991988	9611991988	9611991988
23	1 Threaded plug	9611991221	9611991221	9611991221
24	□ 1 Guiding band	9612369801	9612369801	9612369801
25	1 Spring	9612370001	9612370001	9612370001

Service kits for actuator

Service kits, air/air 9611923057

Parts marked with □ are included in the service kit.

Recommended spare parts: service kit.

How to contact Alfa Laval

Contact details for all countries are continually updated on our website.

Please visit www.alfalaval.com to access the information directly.

© Alfa Laval Corporate AB

This document and its contents is owned by Alfa Laval Corporate AB and protected by laws governing intellectual property and thereto related rights. It is the responsibility of the user of this document to comply with all applicable intellectual property laws. Without limiting any rights related to this document, no part of this document may be copied, reproduced or transmitted in any form or by any means (electronic, mechanical, photocopying, recording, or otherwise), or for any purpose, without the expressed permission of Alfa Laval Corporate AB. Alfa Laval Corporate AB will enforce its rights related to this document to the fullest extent of the law, including the seeking of criminal prosecution.