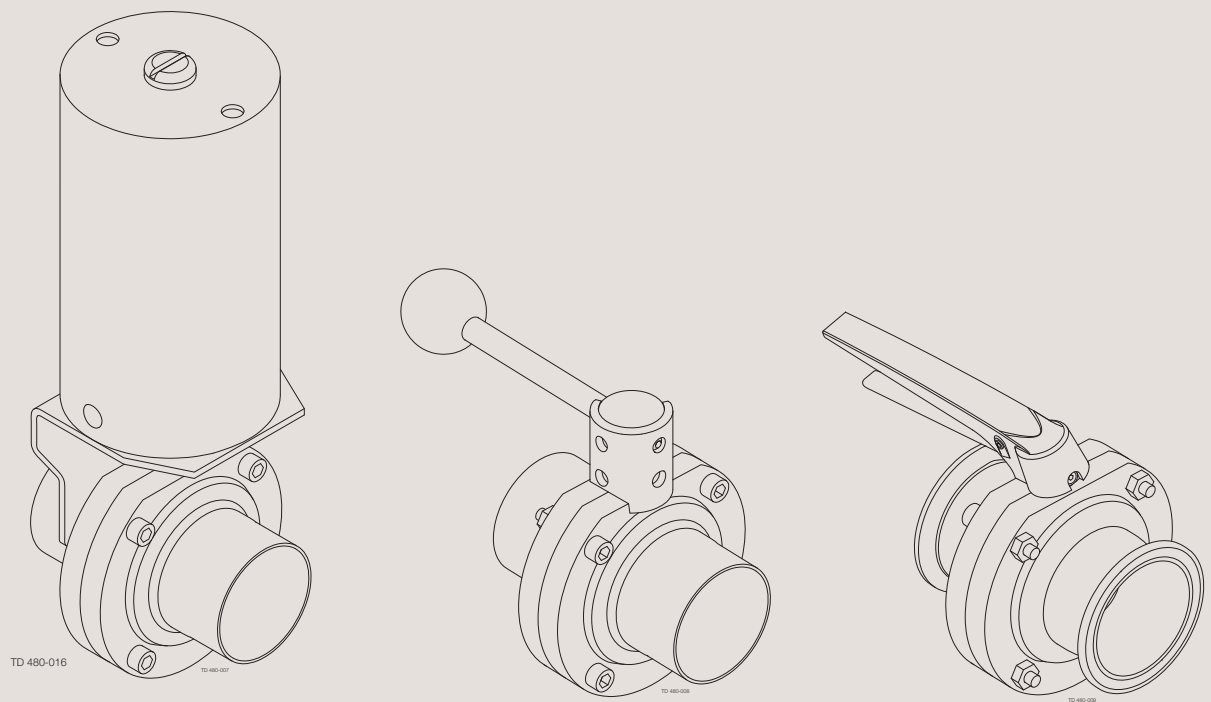




Spare Parts

LKB UltraPure Butterfly Valve



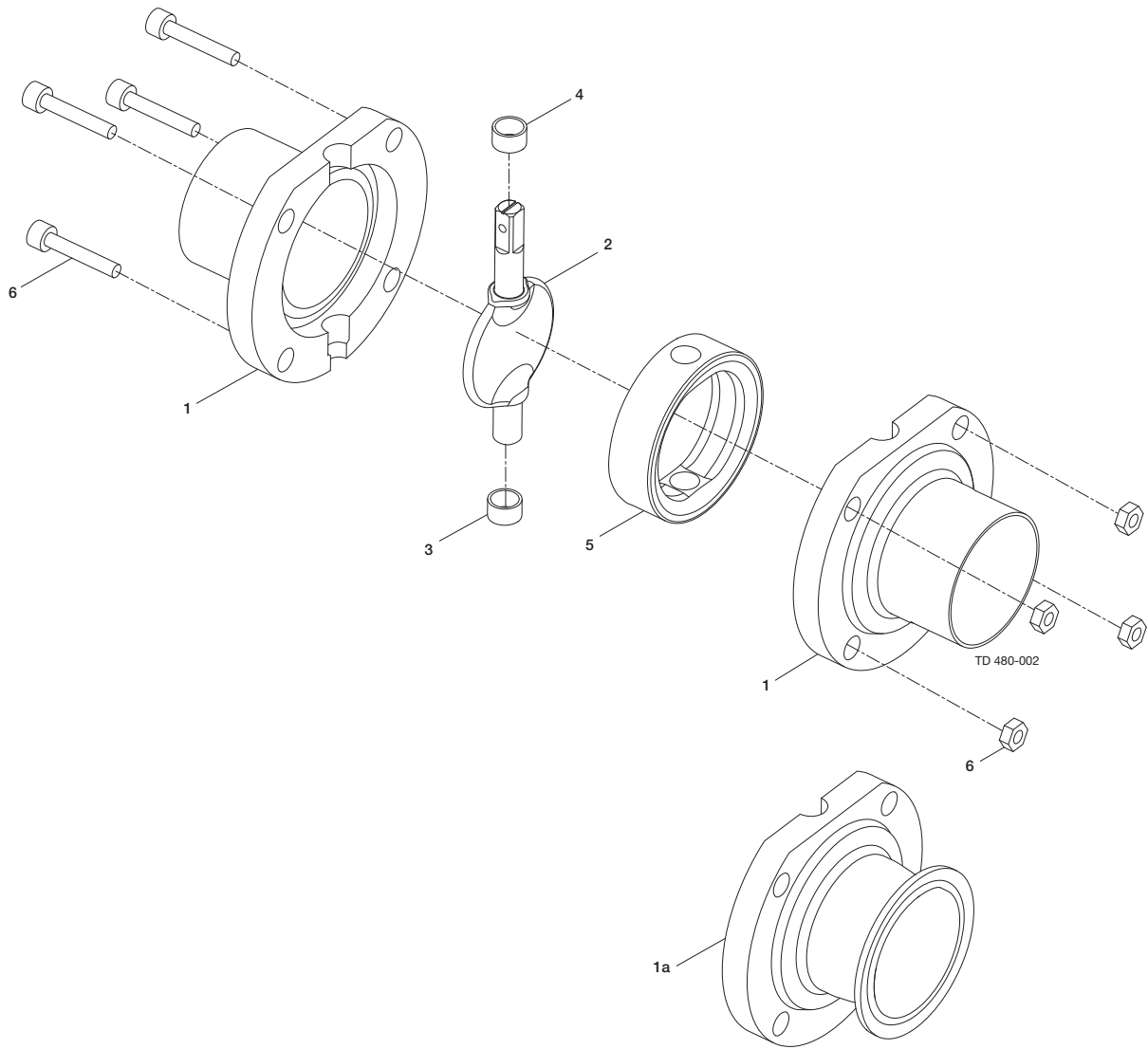
ESE01700-EN5

2019-03

Original manual

The information herein is correct at the time of issue but may be subject to change without prior notice

1. LKB UltraPure Butterfly Valve, ISO	4
2. LKB UltraPure Butterfly Valve, ASME	6
3. LKB UltraPure Butterfly Valve, DIN	8
4. LKB Lockable multiposition handle for valve	10
5. LKB handle 1.1 for Butterfly Valve	12
6. Handle 1.1 for Indication Unit	14
7. LKLA actuator air/spring (NC-NO) ø85	16
8. LKLA actuator air/air ø85	18
9. LKLA actuator air/spring (NC-NO) ø133	20
10. LKLA actuator air/air ø133	22
11. LKLA-T actuator air/spring (NC-NO) ø85	24
12. LKLA-T actuator air/air ø85	26
13. LKLA-T actuator air/spring (NC-NO) ø133	28
14. LKLA-T actuator air/air ø133	30



LKB UltraPure Butterfly Valve, ISO

Pos	Qty	Denomination	25 mm	38 mm	51 mm	63.5 mm	76.1 mm	101.6 mm
			Disc □ 8	Disc □ 8	Disc □ 8	Disc □ 8	Disc □ 10	Disc □ 12
1	2	Valve body half, welding ends						
1a	2	Valve body half, clamp ferrule						
2	1	Disc	9614058101	9614058102	9614058103	9614058104	9614058105	9614058106
3 ▲	1	Bush						
		Bush, set (10 pcs)	9614464002	9614464001	9614464002	9614464003	9614464004	9614464006
4 ▲	1	Bush						
		Bush, set (10 pcs)	9614464002	9614464001	9614464002	9614464003	9614464004	9614464005
5 ▲	1	Seal ring, EPDM						
▲	1	Seal ring, FPM						
▲	1	Seal ring, HNBR						
▲	1	Seal ring, Silicone Q						
▲	1	Seal ring, PFA						
6	1	Set screw + nut, M6	9611417340	9611417340				
	1	Set screw + nut, M8			9611417350	9611417350	9611417360	
	1	Set screw + nut, M10						9611417370
▲		Alfa Laval Q-doc service kit .						
			25 mm	38 mm	51 mm	63.5 mm	76.1 mm	101.6 mm
			Disc □ 8	Disc □ 8	Disc □ 8	Disc □ 8	Disc □ 10	Disc □ 12

Service kits

▲	Service kit, EPDM	9611923284	9611923285	9611923286	9611923287	9611923288	9611923289
▲	Service kit, FPM	9611923297	9611923298	9611923299	9611923300	9611923301	9611923302
▲	Service kit, HNBR	9611923346	9611923347	9611923348	9611923349	9611923350	9611923351
▲	Service kit, Q (silicone)	9611923352	9611923353	9611923354	9611923355	9611923356	9611923357
▲	Service kit, PFA		9611923358	9611923359	9611923360	9611923361	9611923362

Parts marked with ▲ are included in the service kit.

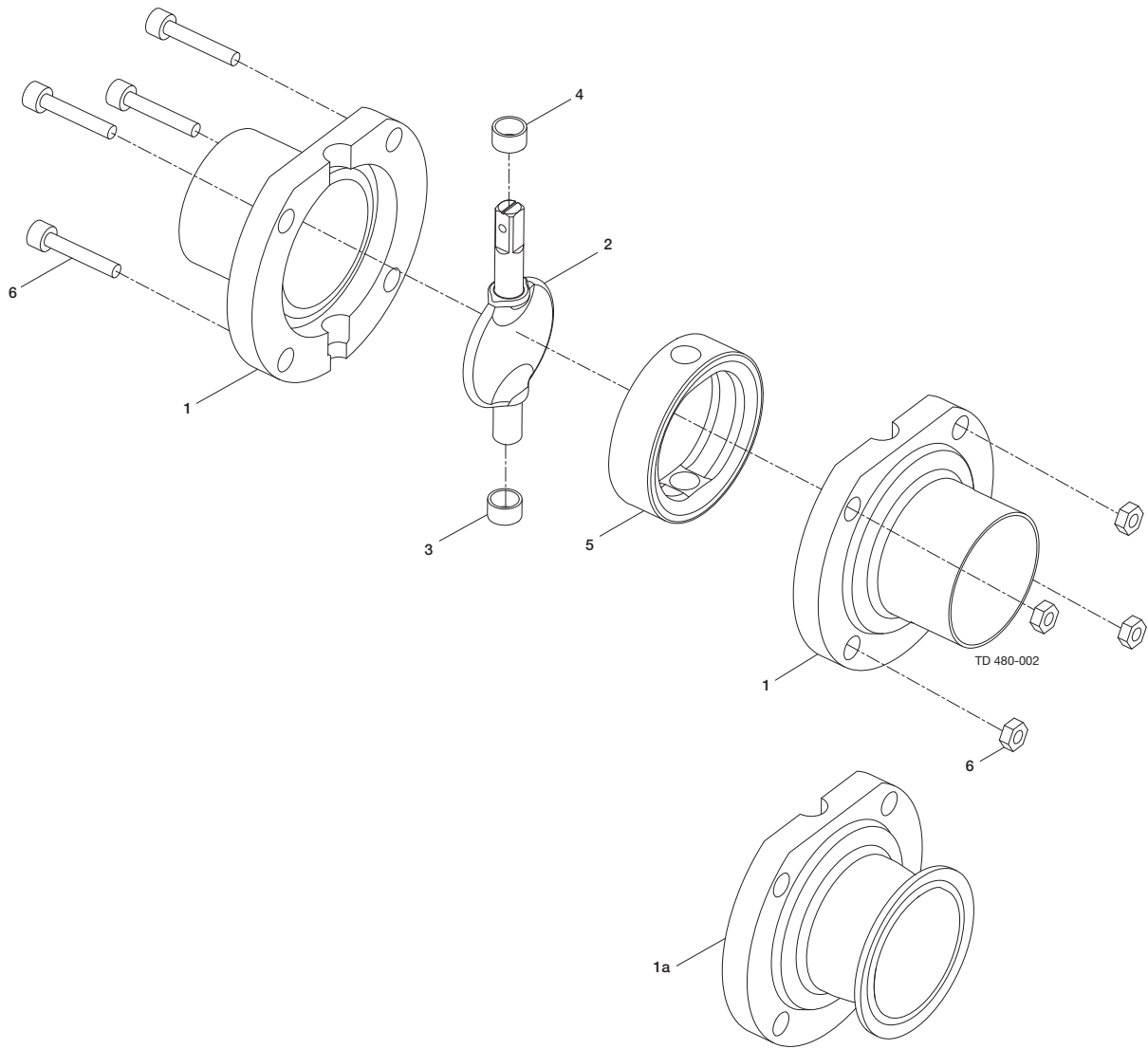
Recommended spare parts: Service kit.

NOTE!!

Lubricate the pin holes in the seal (5) with Klüber Paraliq GTE 703 or similar.

Very important for Q and FPM.

900581/3



LKB UltraPure Butterfly Valve, ASME

Pos	Qty	Denomination	25 mm Disc □ 8	38 mm Disc □ 8	51 mm Disc □ 8	63.5 mm Disc □ 8	76 mm Disc □ 10	101.6 mm Disc □ 12
RA 0.5								
1	2	Valve body half, welding ends						
1a	2	Valve body half, clamp ferrule						
2	1	Disc	9614058101	9614058102	9614058103	9614058104	9614058105	9614058106
3 ▲	1	Bush						
3	1	Bush, set (10 pcs)	9614464002	9614464001	9614464002	9614464003	9614464004	9614464006
4 ▲	1	Bush						
4	1	Bush, set (10 pcs)	9614464002	9614464001	9614464002	9614464003	9614464004	9614464005
5 ▲	1	Seal ring, EPDM						
5 ▲	1	Seal ring, FPM						
▲	1	Seal ring, HNBR						
▲	1	Seal ring, Silicone Q						
▲	1	Seal ring, PFA						

Pos	Qty	Denomination	25 mm Disc □ 8	38 mm Disc □ 8	51 mm Disc □ 8	63.5 mm Disc □ 8	76 mm Disc □ 10	101.6 mm Disc □ 12
RA 0.38								
1	2	Valve body half, welding ends						
1a	2	Valve body half, clamp ferrule						
2	1	Disc	9614058107	9614058108	9614058109	9614058110	9614058111	9614058112
3 ▲	1	Bush						
3	1	Bush, set (10 pcs)	9614464002	9614464001	9614464002	9614464003	9614464004	9614464006
4 ▲	1	Bush						
4	1	Bush, set (10 pcs)	9614464002	9614464001	9614464002	9614464003	9614464004	9614464005
5 ▲	1	Seal ring, EPDM						
5 ▲	1	Seal ring, FPM						
▲	1	Seal ring, HNBR						
▲	1	Seal ring, Silicone Q						
▲	1	Seal ring, PFA						
6	1	Set screw + nut, M6	9611417340	9611417340				
▲	1	Set screw + nut, M8			9611417350	9611417350	9611417360	
▲	1	Set screw + nut, M10						9611417370
	1	Alfa Laval Q-doc service kit .						

			25 mm Disc □ 8	38 mm Disc □ 8	51 mm Disc □ 8	63.5 mm Disc □ 8	76 mm Disc □ 10	101.6 mm Disc □ 12
--	--	--	-------------------	-------------------	-------------------	---------------------	--------------------	-----------------------

Service kits

▲	Service kit, EPDM	9611923284	9611923285	9611923286	9611923287	9611923288	9611923289
▲	Service kit, FPM	9611923297	9611923298	9611923299	9611923300	9611923301	9611923302
▲	Service kit, HNBR	9611923346	9611923347	9611923348	9611923349	9611923350	9611923351
▲	Service kit, Q (silicone)	9611923352	9611923353	9611923354	9611923355	9611923356	9611923357
▲	Service kit, PFA		9611923358	9611923359	9611923360	9611923361	9611923362

Parts marked with ▲ are included in the service kit.

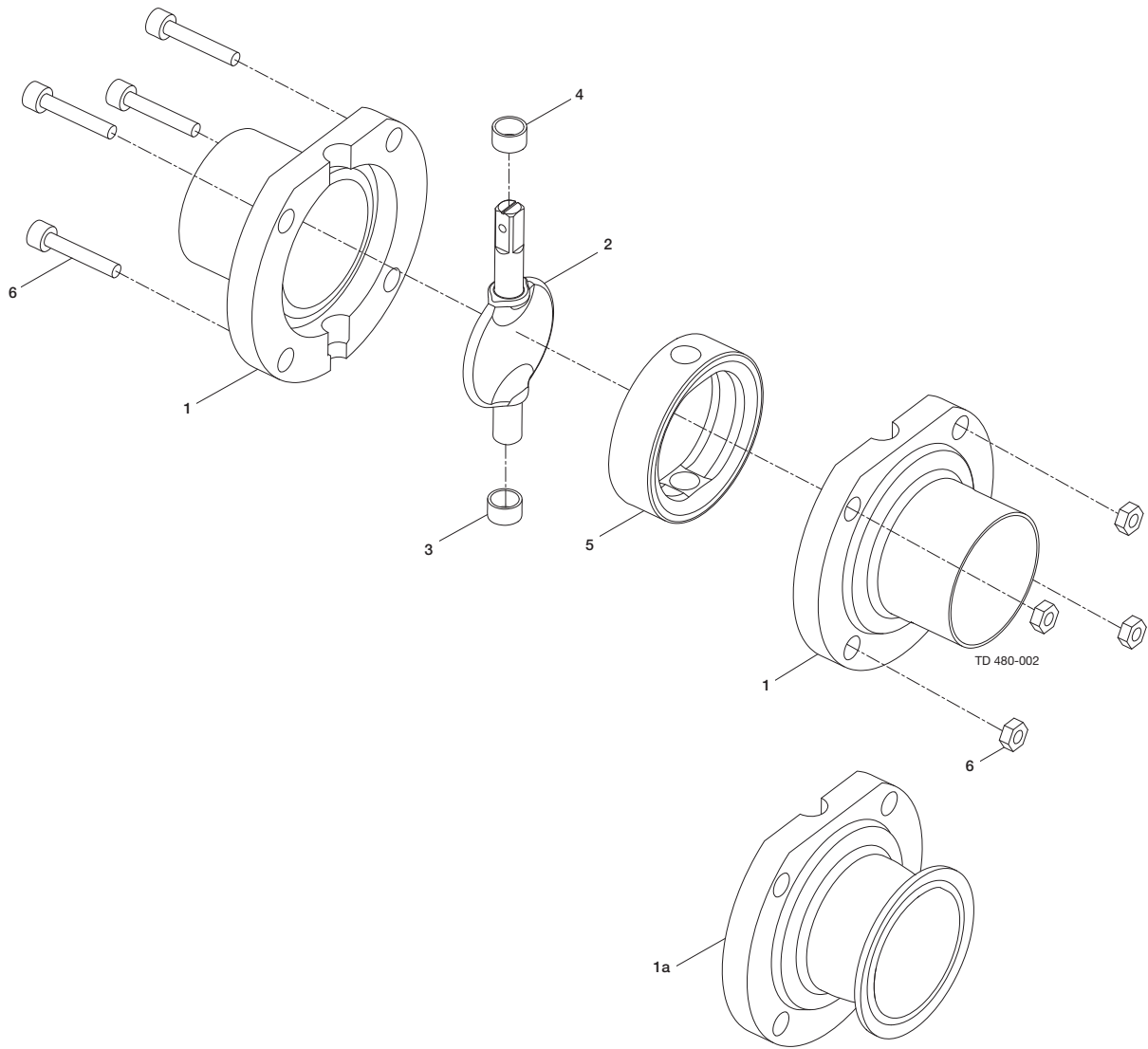
Recommended spare parts: Service kit.

NOTE!!

Lubricate the pin holes in the seal (5) with Klüber Paraliq GTE 703 or similar.

Very important for Q and FPM.

900583/2



LKB UltraPure Butterfly Valve, DIN

Pos	Qty	Denomination	DN 25	DN 32	DN 40	DN 50
			Disc □ 8	Disc □ 8	Disc □ 8	Disc □ 8
1	2	Valve body half, welding ends				
1a	2	Valve body half, clamp ferrule				
2	1	Disc	9614058113	9614058114	9614058115	9614058116
3 ▲	1	Bush				
		Bush, set (10 pcs)	9614464002	9614464002	9614464002	9614464003
4 ▲	1	Bush				
		Bush, set (10 pcs)	9614464002	9614464002	9614464002	9614464003
5 ▲	1	Seal ring, EPDM				
▲	1	Seal ring, FPM				
▲	1	Seal ring, HNBR				
▲	1	Seal ring, Silicone Q				
▲	1	Seal ring, PFA				
6	1	Set screw + nut, M6	9611417340	9611417340	9611417340	
	1	Set screw + nut, M8				9611417350
	1	Alfa Laval Q-doc service kit				

Pos	Qty	Denomination	DN 65	DN 80	DN 100
			Disc □ 10	Disc □ 10	Disc □ 12
1	2	Valve body half, welding ends			
1a	2	Valve body half, clamp ferrule			
2	1	Disc	9614058117	9614058118	9614058119
3 ▲	1	Bush			
		Bush, set (10 pcs)	9614464003	9614464003	9614464004
4 ▲	1	Bush			
		Bush, set (10 pcs)	9614464003	9614464003	9614464004
5 ▲	1	Seal ring, EPDM			
▲	1	Seal ring, FPM			
▲	1	Seal ring, HNBR			
▲	1	Seal ring, Silicone Q			
▲	1	Seal ring, PFA			
6	1	Set screw + nut, M8	9611417360	9611417360	
	1	Set screw + nut, M10			9611417370
	1	Alfa Laval Q-doc service kit			

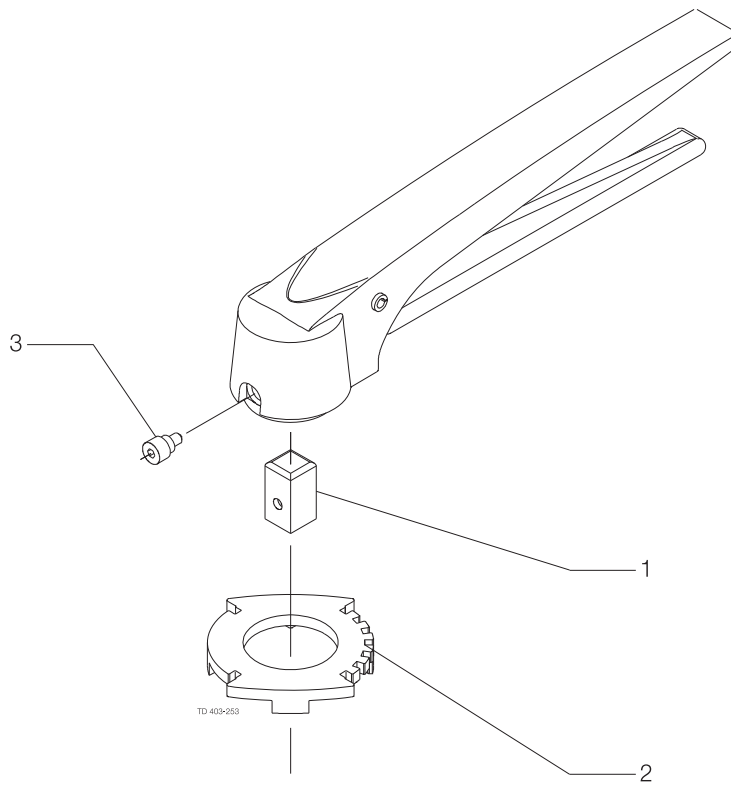
Pos	Qty	Denomination	DN 25	DN 32	DN 40	DN 50
			Disc □ 8	Disc □ 8	Disc □ 8	Disc □ 8
Service kits						
▲		Service kit, EPDM	9611923290	9611923291	9611923292	9611923293
▲		Service kit, FPM	9611923303	9611923304	9611923305	9611923306
▲		Service kit, HNBR	9611923325	9611923326	9611923327	9611923328
▲		Service kit, Q (silikone)	9611923332	9611923333	9611923334	9611923335
▲		Service kit, PFA			9611923339	9611923340
			DN 65	DN 80	DN 100	
			Disc □ 10	Disc □ 10	Disc □ 12	

Service kits						
▲		Service kit, EPDM	9611923294	9611923295	9611923296	
▲		Service kit, FPM	9611923307	9611923308	9611923309	
▲		Service kit, HNBR	9611923329	9611923330	9611923331	
▲		Service kit, Q (silikone)	9611923336	9611923337	9611923338	
▲		Service kit, PFA	9611923341	9611923342	9611923343	

Parts marked with ▲ are included in the service kit.
Recommended spare parts: Service kit.

NOTE!!

Lubricate the pin holes in the seal (5) with Klüber Paraliq GTE 703 or similar.
Very important for Q and FPM.

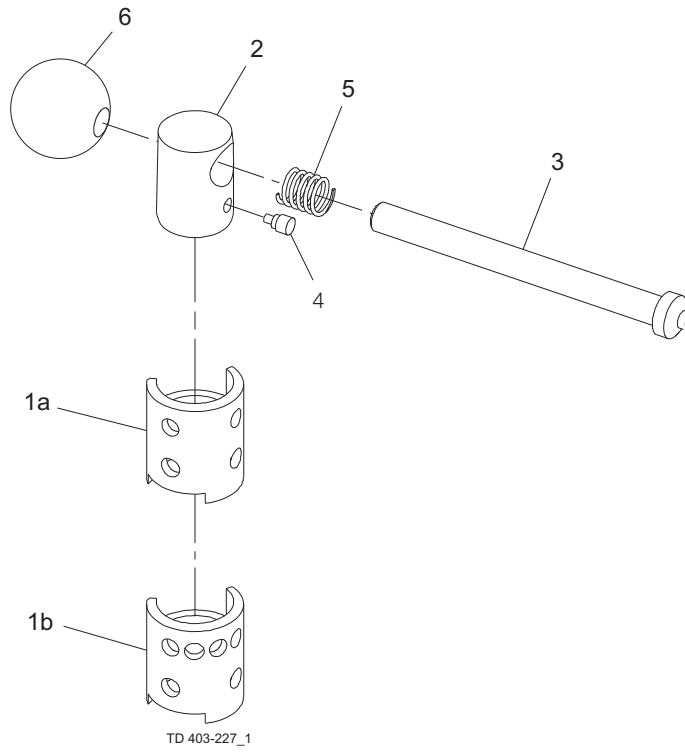


LKB Lockable multiposition handle for valve

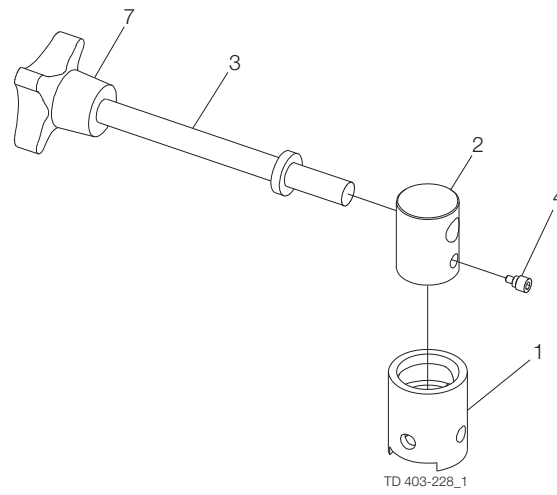
Pos	Qty	Denomination	Disc □ 8	Disc □ 10	Disc □ 12
1	1	Insert			
2	1	Positioning cap, (76-101.6 mm/DN65-100)			
		Positioning cap, (25-63.5 mm/DN25-50)			
3	1	Screw	9612045302	9612045301	9612045301

900530

Handle 1.1 for LKB butterfly valve



Handle 1.1 with infinite positions for LKB Butterfly valve



LKB handle 1.1 for Butterfly Valve

Handle 1.1 for Butterfly valve LKB (standard)

Pos	Qty	Denomination	25 - 63.5 mm	76 mm	101.6 mm		
			DN 25 - 50	DN 65 - 80	DN 100	DN 125	DN 150
			Disc □ 8	Disc □ 10	Disc □ 12	Disc □ 14	Disc □ 15
1a	1	Location cap , with 2 pos.					
1b	1	Location cap , with 4 pos.					
2	1	Transfer block					
3	1	Handle					
4	1	Screw with pin	9612045201	9612045301	9612045301	9612045301	9612045301
5	1	Spring	9611991998	9611991998	9611991982	9612078101	9612365101
6	1	Ball	9611991970	9611991970	9611991981	9611992512	9611992713

Handle 1.1 for Butterfly valve LKB (cap turned 90°)

Pos	Qty	Denomination	25 - 63.5 mm	76 mm	101.6 mm
			DN 25 - 50	DN 65 - 80	DN 100
			Disc □ 8	Disc □ 10	Disc □ 12
1a	1	Location cap turned 90° 2 pos.			
1b	1	Location cap turned 90° 4 pos.			
2	1	Transfer block			
3	1	Handle			
4	1	Screw with pin	9612045201	9612045301	9612045301
5	1	Spring	9611991998	9611991998	9611991982
6	1	Ball	9611991970	9611991970	9611991981

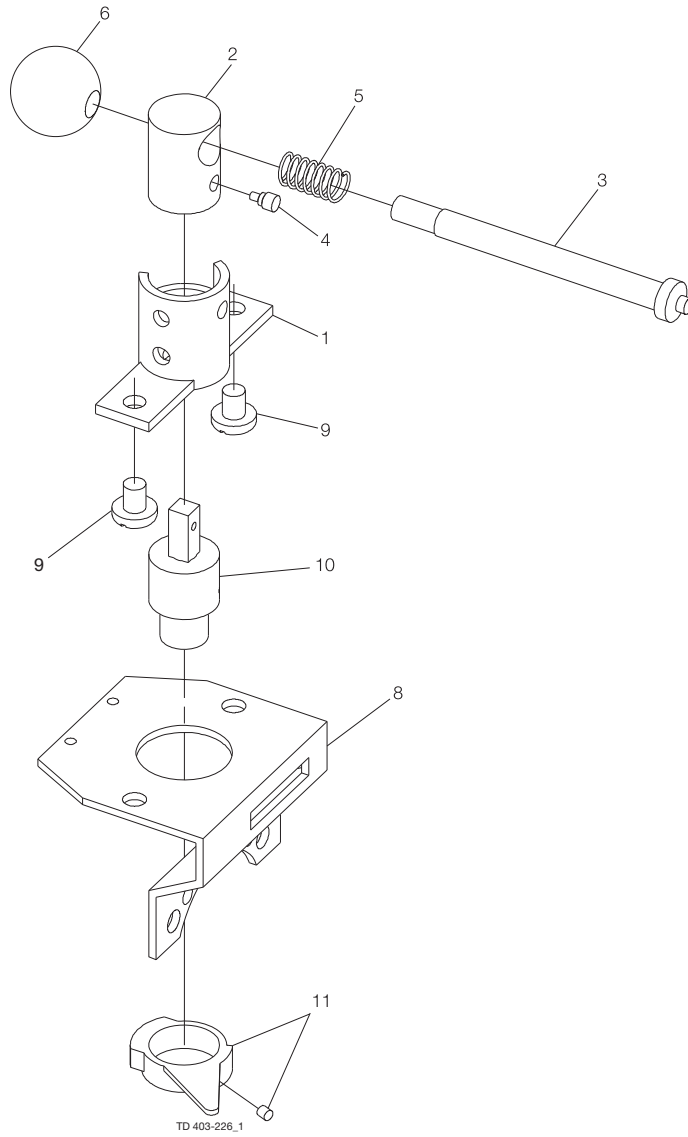
Handle 1.1 with infinite positions for Butterfly valve LKB

Pos	Qty	Denomination	25 - 63.5 mm	76 mm	101.6 mm
			DN 25 - 50	DN 65 - 80	DN 100
			Disc □ 8	Disc □ 10	Disc □ 12
1	1	Location cap			
2	1	Transfer block			
3	1	Handle			
4	1	Screw with pin	9612045201	9612045301	9612045301
7	1	Crosshead			

NB:

- 1) Handle 1.1 with □ 10 connection can also be used for old version 101.6 mm DN 100 LKB valve.
- 1) Handle 1.1 with □ 8 connection can also be used for old version DN 65 LKB valve.

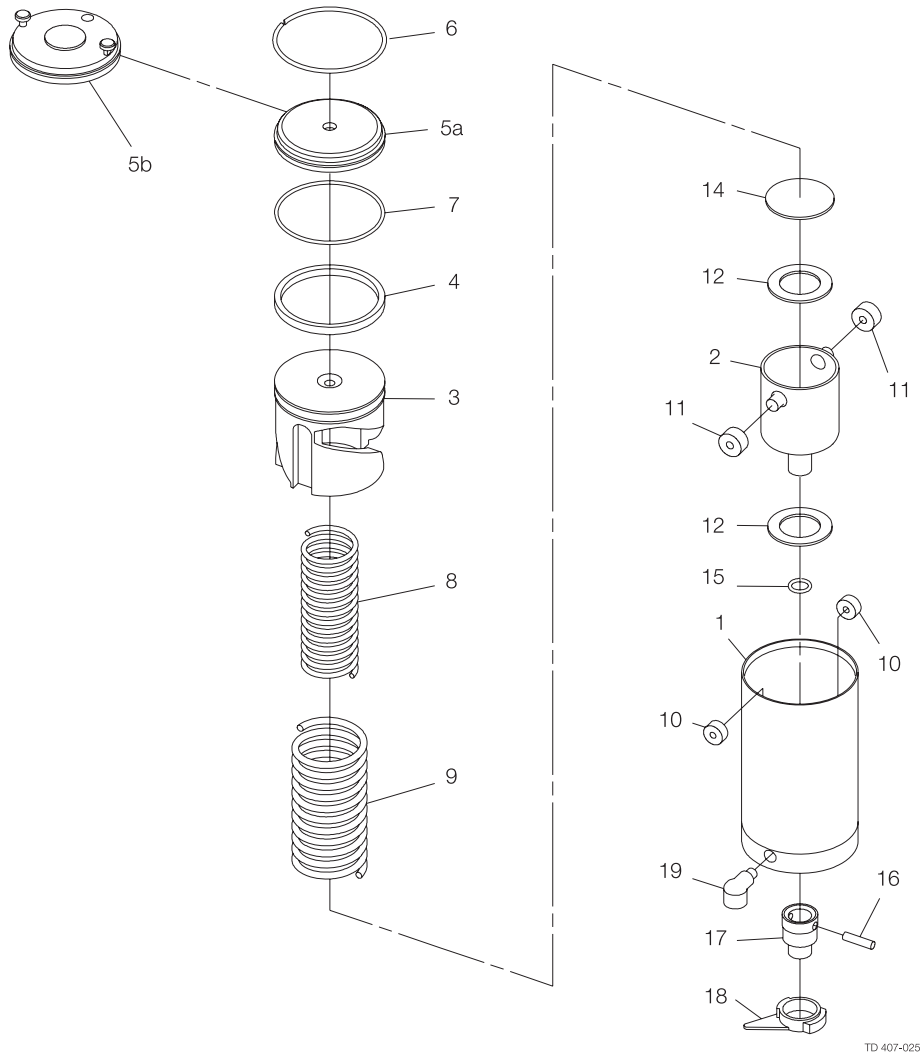
900265



Handle 1.1 for Indication Unit

Pos	Qty	Denomination	25 - 63.5 mm	76 mm	101.6 mm	DN 65
			DN 25-50 Disc □ 8	DN 80 Disc □ 10	DN 100 Disc □ 12	(LKB-DIN) Disc □ 10
1	1	Location cap with 2 pos.				
2	1	Transfer block				
3	1	Handle				
4	1	Screw with pin				
5	1	Spring	9612045201	9612045301	9612045301	9612045301
6	1	Ball	9611991998	9611991998	9611991982	9611991998
8	1	Bracket	9611991970	9611991970	9611991981	9611991970
8	1	Bracket	9611416470	9611416480	9611416480	9612081502
9	2	Screw	9611991686	9611991686	9611991686	9611991686
10	1	Coupling				
11	1	Activating ring with screw	9611416690	9611416690	9611416690	9611416690

900167/1



LKLA actuator air/spring (NC-NO) ø85

Pos	Qty	Denomination	NC	NC	NC	NO	NO	NO
			25-63.5 mm DN 25-50 Disc □ 8	76 mm DN 65-80 Disc □ 10	101.6 mm DN 100 Disc □ 12	25-63.5 mm DN 25-50 Disc □ 8	76 mm DN 65-80 Disc □ 10	101.6 mm DN 100 Disc □ 12
1	1	Air cylinder	9611417580	9611417580	9611417580	9611417580	9611417580	9611417580
2	1	Rotating cylinder	9611416380	9611416380	9611416380	9611416380	9611416380	9611416380
3	1	Piston	9612194401	9612194401	9612194401	9612194301	9612194301	9612194301
4 □	1	O-ring, NBR	9611990052	9611990052	9611990052	9611990052	9611990052	9611990052
5a	1	End cap, (Period 0011-)	9611416330	9611416330	9611416330	9611416330	9611416330	9611416330
	1	End cap, (Period 8301-0011)	3135707401	3135707401	3135707401	3135707401	3135707401	3135707401
6	1	Retaining ring	9611402021	9611402021	9611402021	9611402021	9611402021	9611402021
7 □	1	O-ring, NBR	9611990396	9611990396	9611990396	9611990396	9611990396	9611990396
8	1	Inner spring	9611991629	9611991629	9611991629	9611991629	9611991629	9611991629
9	1	Outer spring	9611991631	9611991631	9611991631	9611991631	9611991631	9611991631
10 □	2	Needle bearing	9611991230	9611991230	9611991230	9611991230	9611991230	9611991230
11 □	2	Needle bearing	9611991231	9611991231	9611991231	9611991231	9611991231	9611991231
12 □	2	Thrust bearing	9611991236	9611991236	9611991236	9611991236	9611991236	9611991236
14	1	Thrust plate	9611416460	9611416460	9611416460	9611416460	9611416460	9611416460
15 □	1	O-ring, NBR	9611991233	9611991233	9611991233	9611991233	9611991233	9611991233
16	1	Connex pin	9611991235	9611991235	9611991235	9611991235	9611991235	9611991235
17	1	Coupling	9611416440	9611416450	9612044703	9611416440	9611416450	9612044703
18	1	Activating ring, Noryl with screw .	9611416690	9611416690	9611416690	9611416690	9611416690	9611416690
19	1	Water rejector (period 8310-)	9611417750	9611417750	9611417750	9611417750	9611417750	9611417750

NC/NO for Altop

Pos	Qty	Denomination	NC	NC	NC	NO	NO	NO
			25-63.5 mm DN 25-50 Disc □ 8	76 mm DN 65-80 Disc □ 10	101.6 mm DN 100 Disc □ 12	25-63.5 mm DN 25-50 Disc □ 8	76 mm DN 65-80 Disc □ 10	101.6 mm DN 100 Disc □ 12
5b	1	End cap, Mark III	9611416740	9611416740	9611416740	9611416740	9611416740	9611416740

All other parts as above.

Service kit for actuator

Service kits, air/spring 9611923010

Note:

Butterfly valve 101.6 mm / DN100 sold before 8906 = □ 10 mm

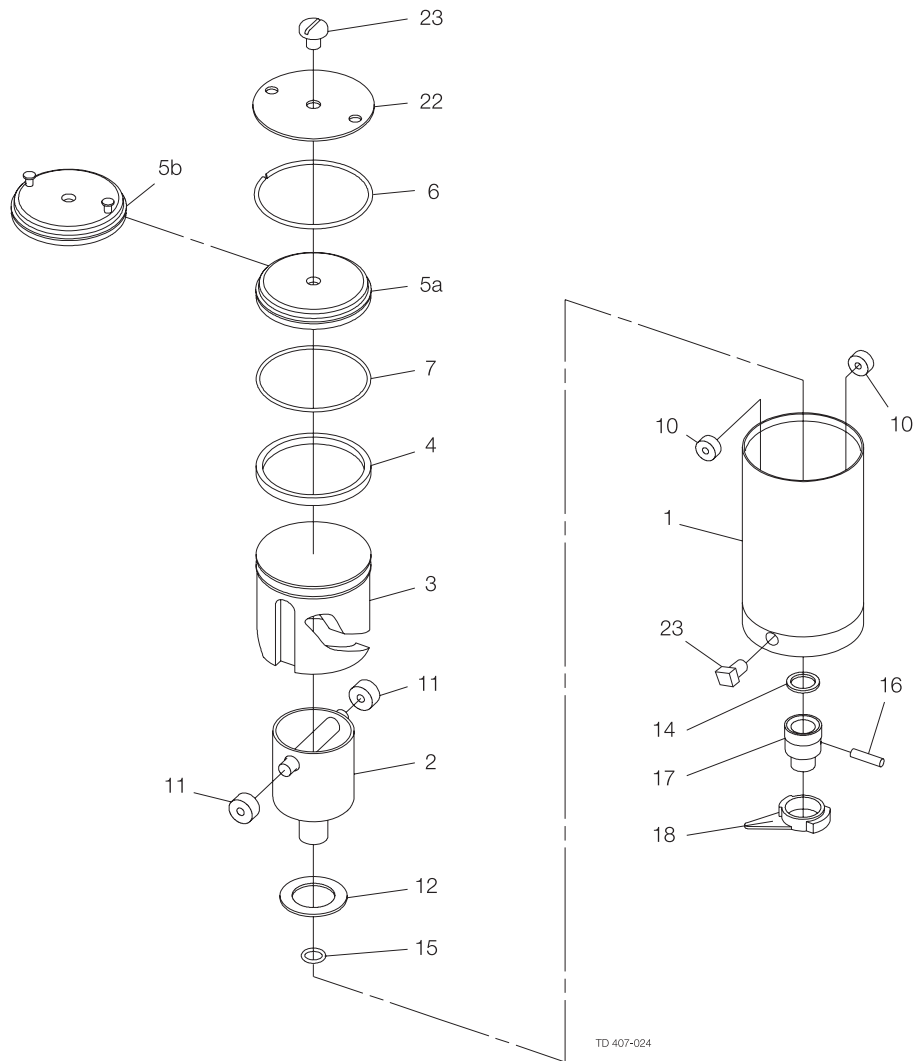
Butterfly valve DN 65 (ISO) sold before 8910 = □ 8 mm

Please check the square size of the disc when ordering spares.

Parts marked with □ are included in the service kit.

Recommended spare parts: Service kit.

900128/2



Pos	Qty	Denomination	25-63.5 mm	76 mm	101.6 mm
			DN 25-50 Disc □ 8	DN 65-80 Disc □ 10	DN 100 Disc □ 12
1	1	Air cylinder	9611417580	9611417580	9611417580
2	1	Rotating cylinder	9611417440	9611417440	9611417440
3	1	Piston	9611417520	9611417520	9611417520
4	□ 1	O-ring, NBR	9611990052	9611990052	9611990052
5a	1	End cap, (Period 0011-)	9611416330	9611416330	9611416330
	1	End cap, (Period 8301-0011)	3135707401	3135707401	3135707401
6	1	Retaining ring	9611402021	9611402021	9611402021
7	□ 1	O-ring, NBR	9611990396	9611990396	9611990396
10	□ 2	Needle bearing	9611991230	9611991230	9611991230
11	□ 2	Needle bearing	9611991231	9611991231	9611991231
12	□ 1	Thrust bearing	9611991236	9611991236	9611991236
14	1	Thrust plate	9611417570	9611417570	9611417570
15	□ 1	O-ring, NBR	9611991233	9611991233	9611991233
16	1	Connex pin	9611991235	9611991235	9611991235
17	1	Coupling	9611417550	9611417560	9612044802
18	1	Activating ring with screw	9611416690	9611416690	9611416690
22***	1	Retaining plate	9611414370	9611414370	9611414370
23	2	Threaded plug	9611991221	9611991221	9611991221

*** Up to 8910 supplied without holes, not available anymore

Air/air for Altop

Pos	Qty	Denomination	25-63.5 mm	76 mm	101.6 mm
			DN 25-50 Disc □ 8	DN 65-80 Disc □ 10	DN 100 Disc □ 12
5b	1	End cap, Mark III	9611416740	9611416740	9611416740

All other parts as above.

Service kits for actuator

Service kits, air/air 9611923011

Note:

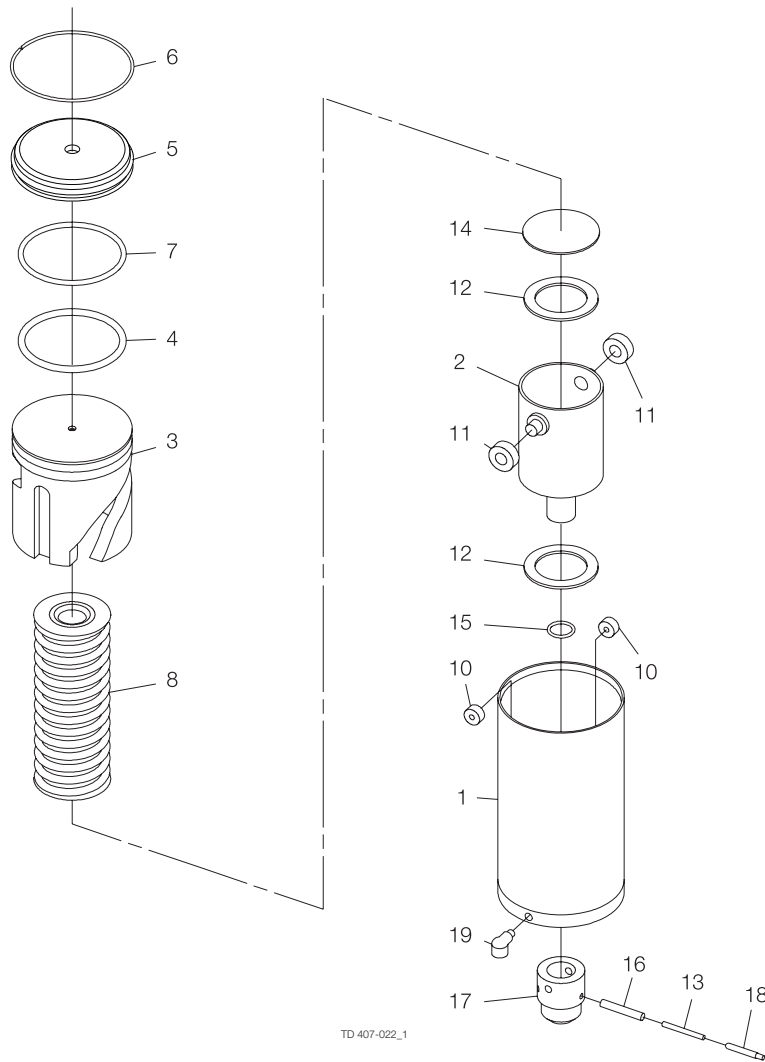
Butterfly valve 101.6 mm / DN100 sold before 8906 = □ 10 mm

Butterfly valve DN 65 (ISO) sold before 8910 = □ 8 mm

Please check the square size of the disc when ordering spares.

Parts marked with □ are included in the service kit.

Recommended spare parts: Service kit.



LKLA actuator air/spring (NC-NO) ø133

Pos	Qty	Denomination	NC	NO	NC	NO	NC	NO
			101.6 mm DN 100 Disc □ 12	101.6 mm DN 100 Disc □ 12	DN 125 DN 125 Disc □ 14	DN 125 DN 125 Disc □ 14	DN 150 DN 150 Disc □ 15	DN 150 DN 150 Disc □ 15
1	1	Air cylinder	9612268501	9612268501	9612268501	9612268501	9612268501	9612268501
2	1	Rotating cylinder	9612267801	9612267801	9612267801	9612267801	9612267801	9612267801
3	1	Piston	9612270001	9612268001	9612270001	9612268001	9612270001	9612268001
4	□ 1	O-ring, NBR	9611992367	9611992367	9611992367	9611992367	9611992367	9611992367
5	1	End cap, (Period: 0011-)	9612267501	9612267501	9612267501	9612267501	9612267501	9612267501
	1	End cap, (Period:9001 - 0011) ...	9612271401	9612271401	9612271401	9612271401	9612271401	9612271401
6	1	Retaining ring	9612268201	9612268201	9612268201	9612268201	9612268201	9612268201
7	□ 1	O-ring, NBR	9611990035	9611990035	9611990035	9611990035	9611990035	9611990035
8	1	Spring assembly	9612270101	9612270101	9612270101	9612270101	9612270101	9612270101
10	□ 2	Needle bearing	9611991231	9611991231	9611991231	9611991231	9611991231	9611991231
11	□ 2	Needle bearing	9611992355	9611992355	9611992355	9611992355	9611992355	9611992355
12	□ 2	Thrust bearing	9611992347	9611992347	9611992347	9611992347	9611992347	9611992347
13	1	Connex pin	9611992357	9611992357	9611992357	9611992357	9611992357	9611992357
14	1	Thrust plate	9612267101	9612267101	9612267101	9612267101	9612267101	9612267101
15	□ 1	O-ring, NBR	9611990079	9611990079	9611990079	9611990079	9611990079	9611990079
16	1	Connex pin	9611992358	9611992358	9611992358	9611992358	9611992358	9611992358
17	1	Coupling	9612271501	9612271501	9612271502	9612271502	9612271503	9612271503
18	1	Indication pin	9612271901	9612271901	9612271901	9612271901	9612271901	9612271901
19	1	Water rejector	9611417750	9611417750	9611417750	9611417750	9611417750	9611417750

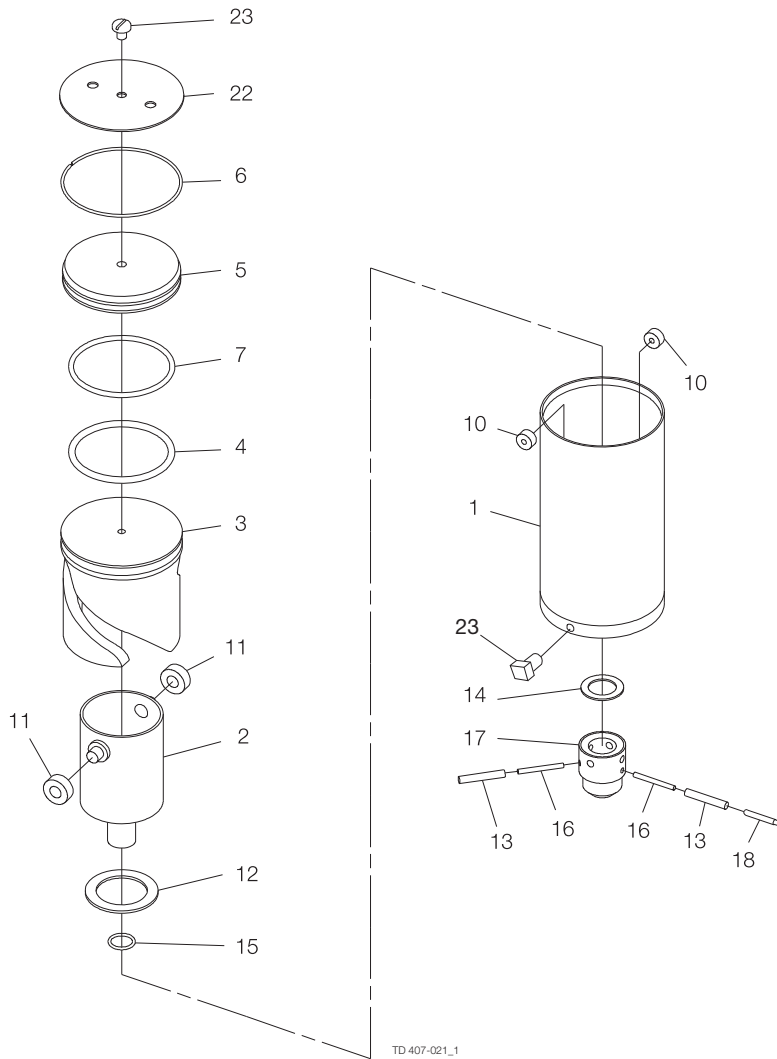
Service kits for actuator

Service kits, air/spring 9611923020

Parts marked with □ are included in the service kit.

Recommended spare parts: service kit.

900131



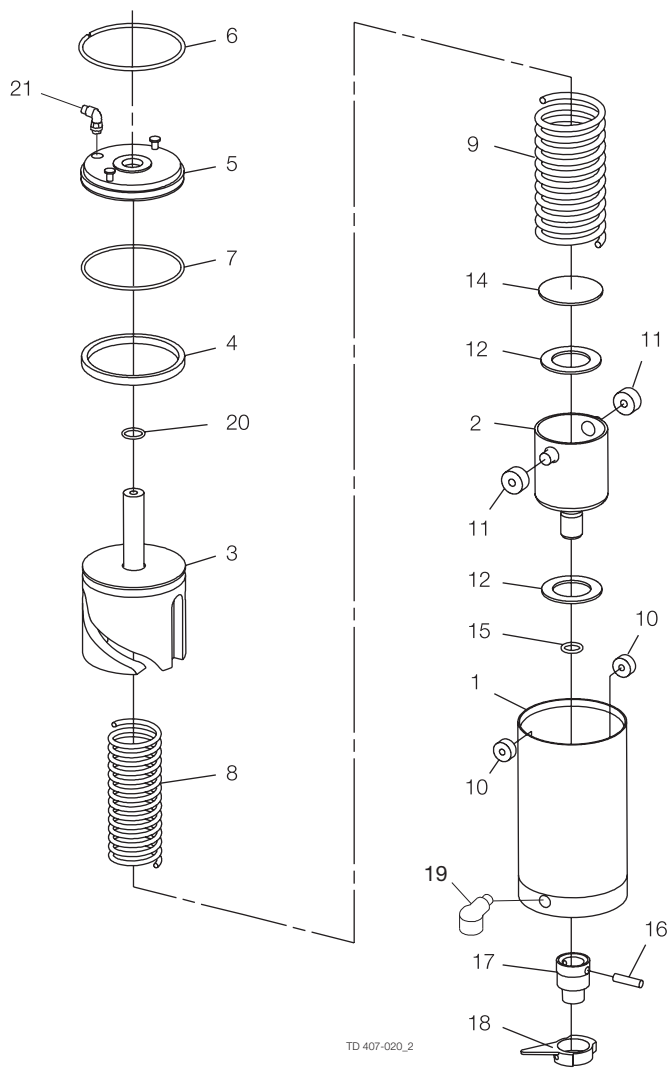
Pos	Qty	Denomination	101.6 mm		
			DN 100 Disc □ 12	DN 125 Disc □ 14	DN 150 Disc □ 15
1	1	Air Cylinder	9612268501	9612268501	9612268501
2	1	Rotating cylinder	9612267801	9612267801	9612267801
3	1	Piston	9612268001	9612268001	9612268001
4	□ 1	O-ring, NBR	9611992367	9611992367	9611992367
5	1	End cap, (Period: 0011-)	9612267501	9612267501	9612267501
	1	End cap, (Period:9001 - 0011)	9612271401	9612271401	9612271401
6	1	Retaining ring	9612268201	9612268201	9612268201
7	□ 1	O-ring , NBR	9611990035	9611990035	9611990035
10	□ 2	Needle bearing	9611991231	9611991231	9611991231
11	□ 2	Needle bearing	9611992355	9611992355	9611992355
12	□ 1	Thrust bearing	9611992347	9611992347	9611992347
13	2	Connex pin	9611992358	9611992358	9611992358
14	1	Thrust plate	9612280401	9612280401	9612280401
15	□ 1	O-ring, NBR	9611990079	9611990079	9611990079
16	2	Connex pin	9611992357	9611992357	9611992357
17	1	Coupling	9612282701	9612282702	9612282703
18	1	Indication pin	9612271901	9612271901	9612271901
22	1	Retaining plate	9612348601	9612348601	9612348601
23	1	Threaded plug	9611991221	9611991221	9611991221

Service kits for actuator

Service kits, air/air 9611923022

Parts marked with □ are included in the service kit.

Recommended spare parts: service kit.



LKLA-T actuator air/spring (NC-NO) ø85

Pos	Qty	Denomination	NC	NC	NC	NO	NO	NO
			25-63.5 mm DN 25-50 Disc □ 8	76 mm DN 65-80 Disc □ 10	101.6 mm DN 100 Disc □ 12	25-63.5 mm DN 25-50 Disc □ 8	76 mm DN 65-80 Disc □ 10	101.6 mm DN 100 Disc □ 12
1	1	Air cylinder	9611417580	9611417580	9611417580	9611417580	9611417580	9611417580
2	1	Rotating cylinder	9611416380	9611416380	9611416380	9611416380	9611416380	9611416380
3	1	Piston	9612193902	9612193902	9612193902	9612193901	9612193901	9612193901
4	□ 1	O-ring, NBR	9611990052	9611990052	9611990052	9611990052	9611990052	9611990052
5	1	End cap	9612193601	9612193601	9612193601	9612193601	9612193601	9612193601
6	1	Retaining ring	9611402021	9611402021	9611402021	9611402021	9611402021	9611402021
7	□ 1	O-ring, NBR	9611990396	9611990396	9611990396	9611990396	9611990396	9611990396
8	1	Inner spring	9611991629	9611991629	9611991629	9611991629	9611991629	9611991629
9	1	Outer spring	9611991631	9611991631	9611991631	9611991631	9611991631	9611991631
10	□ 2	Needle bearing	9611991230	9611991230	9611991230	9611991230	9611991230	9611991230
11	□ 2	Needle bearing	9611991231	9611991231	9611991231	9611991231	9611991231	9611991231
12	□ 2	Thrust bearing	9611991236	9611991236	9611991236	9611991236	9611991236	9611991236
14	1	Thrust plate	9611416460	9611416460	9611416460	9611416460	9611416460	9611416460
15	□ 1	O-ring, NBR	9611991233	9611991233	9611991233	9611991233	9611991233	9611991233
16	1	Connex pin	9611991235	9611991235	9611991235	9611991235	9611991235	9611991235
17	1	Coupling	9611416440	9611416450	9612044703	9611416440	9611416450	9612044703
18	1	Activating ring with screw	9611416690	9611416690	9611416690	9611416690	9611416690	9611416690
19	1	Water rejector (period 8310-)	9611417750	9611417750	9611417750	9611417750	9611417750	9611417750
20	□ 1	O-ring, NBR	22340421	22340421	22340421	22340421	22340421	22340421
21	1	Air fitting	9611991988	9611991988	9611991988	9611991988	9611991988	9611991988

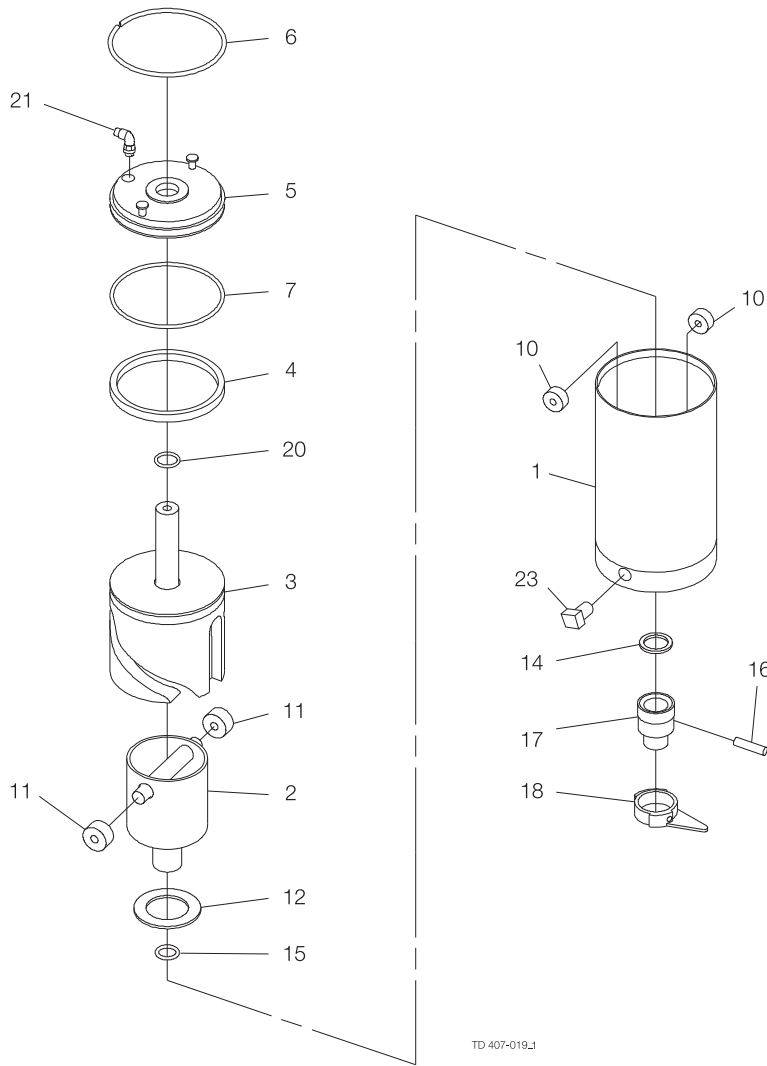
Service kits for actuator

Service kits, air/spring 9611923021

Parts marked with □ are included in the service kit.

Recommended spare parts: service kit.

900133/1



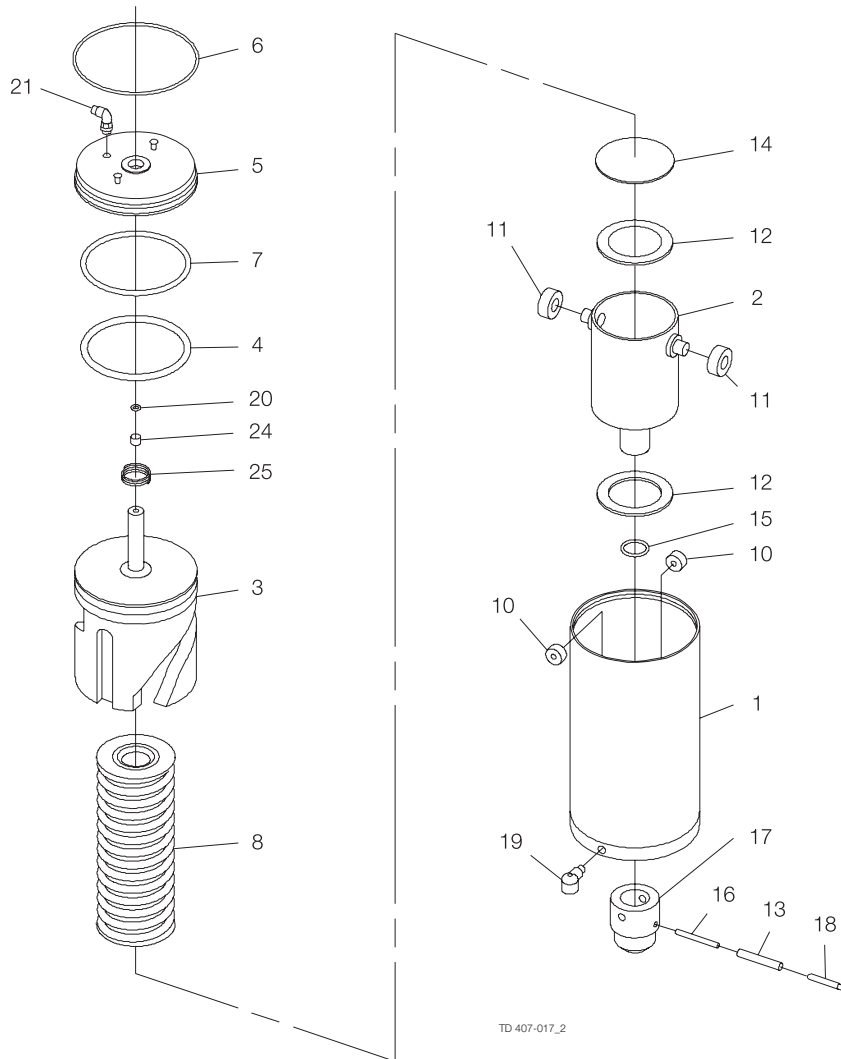
Pos	Qty	Denomination	25-63.5 mm	76 mm	101.6 mm
			DN 25-50 Disc □ 8	DN 65-80 Disc □ 10	DN 100 Disc □ 12
1	1	Air cylinder	9611417580	9611417580	9611417580
2	1	Rotating cylinder	9611417441	9611417441	9611417441
3	1	Piston	9612193903	9612193903	9612193903
4	□ 1	O-ring, NBR	9611990052	9611990052	9611990052
5	1	End cap	9612193601	9612193601	9612193601
6	1	Retaining ring	9611402021	9611402021	9611402021
7	□ 1	O-ring, NBR	9611990396	9611990396	9611990396
10	□ 2	Needle bearing	9611991230	9611991230	9611991230
11	□ 2	Needle bearing	9611991231	9611991231	9611991231
12	□ 1	Thrust bearing	9611991236	9611991236	9611991236
14	1	Thrust plate	9611417570	9611417570	9611417570
15	□ 1	O-ring, NBR	9611991233	9611991233	9611991233
16	1	Connex pin	9611991235	9611991235	9611991235
17	1	Coupling	9611417551	9611417561	9612044802
18	1	Activating ring with screw	9611416690	9611416690	9611416690
20	□ 1	O-ring, NBR	22340421	22340421	22340421
21	1	Air fitting	9611991988	9611991988	9611991988
23	1	Threaded plug	9611991221	9611991221	9611991221

Service kits for actuator

Service kits, air/air	9611923023
-----------------------------	------------

Parts marked with □ are included in the service kit.

Recommended spare parts: service kit.



LKLA-T actuator air/spring (NC-NO) ø133

Pos	Qty	Denomination	NC	NO	NC	NO	NC	NO
			101.6 mm DN 100 Disc □ 12	101.6 mm DN 100 Disc □ 12	DN 125 DN 125 Disc □ 14	DN 125 DN 125 Disc □ 14	DN 150 DN 150 Disc □ 15	DN 150 DN 150 Disc □ 15
1	1	Air cylinder	9612268501	9612268501	9612268501	9612268501	9612268501	9612268501
2	1	Rotating cylinder	9612267801	9612267801	9612267801	9612267801	9612267801	9612267801
3	1	Piston	9612369901	9612369902	9612369901	9612369902	9612369901	9612369902
4	□	O-ring, NBR	9611992367	9611992367	9611992367	9611992367	9611992367	9611992367
5	1	End cap	9612271402	9612271402	9612271402	9612271402	9612271402	9612271402
6	1	Retaining ring	9612268201	9612268201	9612268201	9612268201	9612268201	9612268201
7	□	O-ring, NBR	9611990035	9611990035	9611990035	9611990035	9611990035	9611990035
8	1	Spring assembly	9612270101	9612270101	9612270101	9612270101	9612270101	9612270101
10	□	Needle bearing	9611991231	9611991231	9611991231	9611991231	9611991231	9611991231
11	□	Needle bearing	9611992355	9611992355	9611992355	9611992355	9611992355	9611992355
12	□	Thrust bearing	9611992347	9611992347	9611992347	9611992347	9611992347	9611992347
13	1	Connex pin	9611992357	9611992357	9611992357	9611992357	9611992357	9611992357
14	1	Thrust plate	9612267101	9612267101	9612267101	9612267101	9612267101	9612267101
15	□	O-ring, NBR	9611990079	9611990079	9611990079	9611990079	9611990079	9611990079
16	1	Connex pin	9611992358	9611992358	9611992358	9611992358	9611992358	9611992358
17	1	Coupling	9612271501	9612271501	9612271502	9612271502	9612271503	9612271503
18	1	Indication pin	9612271901	9612271901	9612271901	9612271901	9612271901	9612271901
19	1	Water rejector (period 8310-)	9611417750	9611417750	9611417750	9611417750	9611417750	9611417750
20	□	O-ring	22340421	22340421	22340421	22340421	22340421	22340421
21	1	Air fitting	9611991988	9611991988	9611991988	9611991988	9611991988	9611991988
24	□	Guiding ring	9612369801	9612369801	9612369801	9612369801	9612369801	9612369801
25	1	Spring	9612370001	9612370001	9612370001	9612370001	9612370001	9612370001

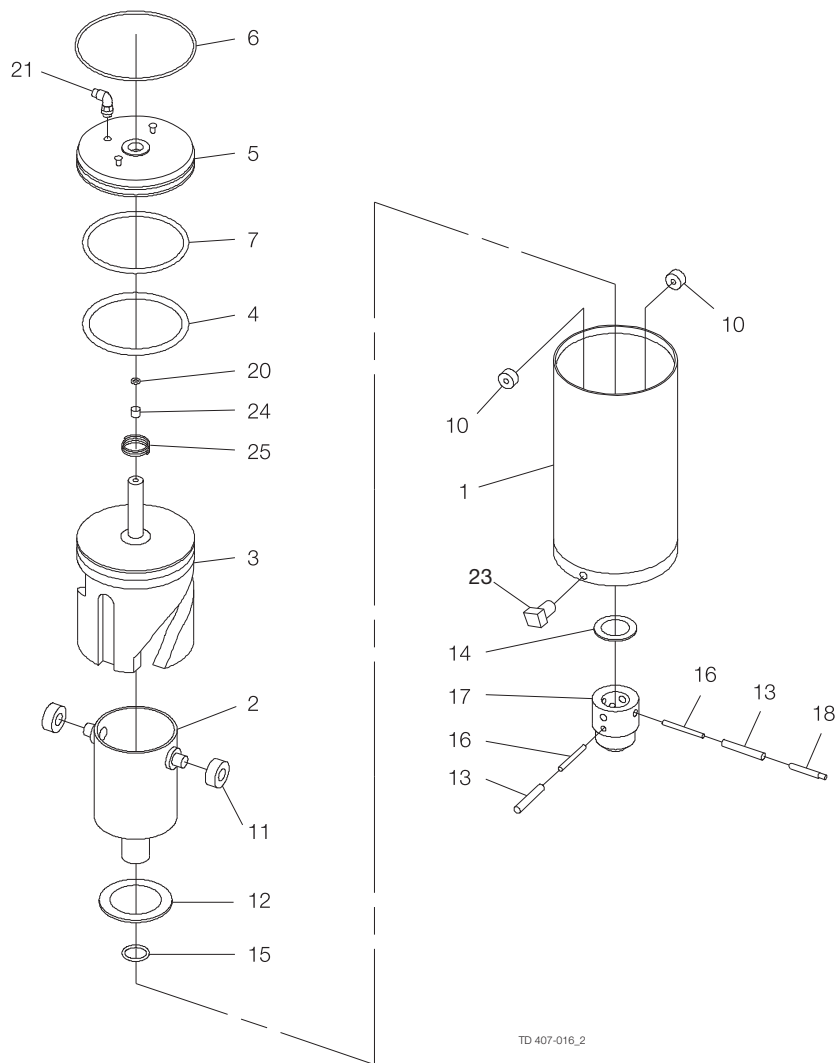
Service kits for actuator

Service kits, air/spring 9611923056

Parts marked with □ are included in the service kit.

Recommended spare parts: service kit.

900136



TD 407-016_2

Pos	Qty	Denomination	9612374908		
			101.6 mm DN 100 Disc □ 12	9612374913 DN 125 Disc □ 14	9612374918 DN 150 Disc □ 15
1	1	Air cylinder	9612268501	9612268501	9612268501
2	1	Rotating cylinder	9612267801	9612267801	9612267801
3	1	Piston	9612369902	9612369902	9612369902
4	□ 1	O-ring, NBR	9611992367	9611992367	9611992367
5	1	End cap	9612271402	9612271402	9612271402
6	1	Retaining ring	9612268201	9612268201	9612268201
7	□ 1	O-ring, NBR	9611990035	9611990035	9611990035
10	□ 2	Needle bearing	9611991231	9611991231	9611991231
11	□ 2	Needle bearing	9611992355	9611992355	9611992355
12	□ 1	Thrust bearing	9611992347	9611992347	9611992347
13	2	Connex pin	9611992358	9611992358	9611992358
14	1	Thrust plate	9612280401	9612280401	9612280401
15	□ 1	O-ring, NBR	9611990079	9611990079	9611990079
16	2	Connex pin	9611992357	9611992357	9611992357
17	1	Coupling	9612282701	9612282702	9612282703
18	1	Indication pin	9612271901	9612271901	9612271901
20	□ 1	O-ring, NBR	22340421	22340421	22340421
21	1	Air fitting	9611991988	9611991988	9611991988
23	1	Threaded plug	9611991221	9611991221	9611991221
24	□ 1	Guiding band	9612369801	9612369801	9612369801
25	1	Spring	9612370001	9612370001	9612370001

Service kits for actuator

Service kits, air/air	9611923057
-----------------------------	------------

Parts marked with □ are included in the service kit.

Recommended spare parts: service kit.

How to contact Alfa Laval

Contact details for all countries are continually updated on our website.

Please visit www.alfalaval.com to access the information directly.

© Alfa Laval Corporate AB

This document and its contents is owned by Alfa Laval Corporate AB and protected by laws governing intellectual property and thereto related rights. It is the responsibility of the user of this document to comply with all applicable intellectual property laws. Without limiting any rights related to this document, no part of this document may be copied, reproduced or transmitted in any form or by any means (electronic, mechanical, photocopying, recording, or otherwise), or for any purpose, without the expressed permission of Alfa Laval Corporate AB. Alfa Laval Corporate AB will enforce its rights related to this document to the fullest extent of the law, including the seeking of criminal prosecution.