



Spare Parts

SPC-2 Sanitary Electro-Pneumatic Modulating Valve

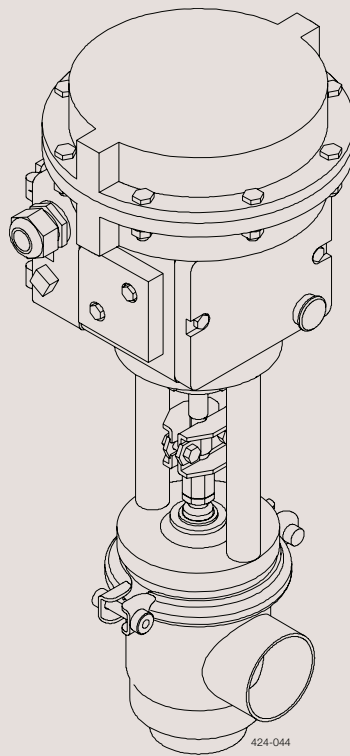
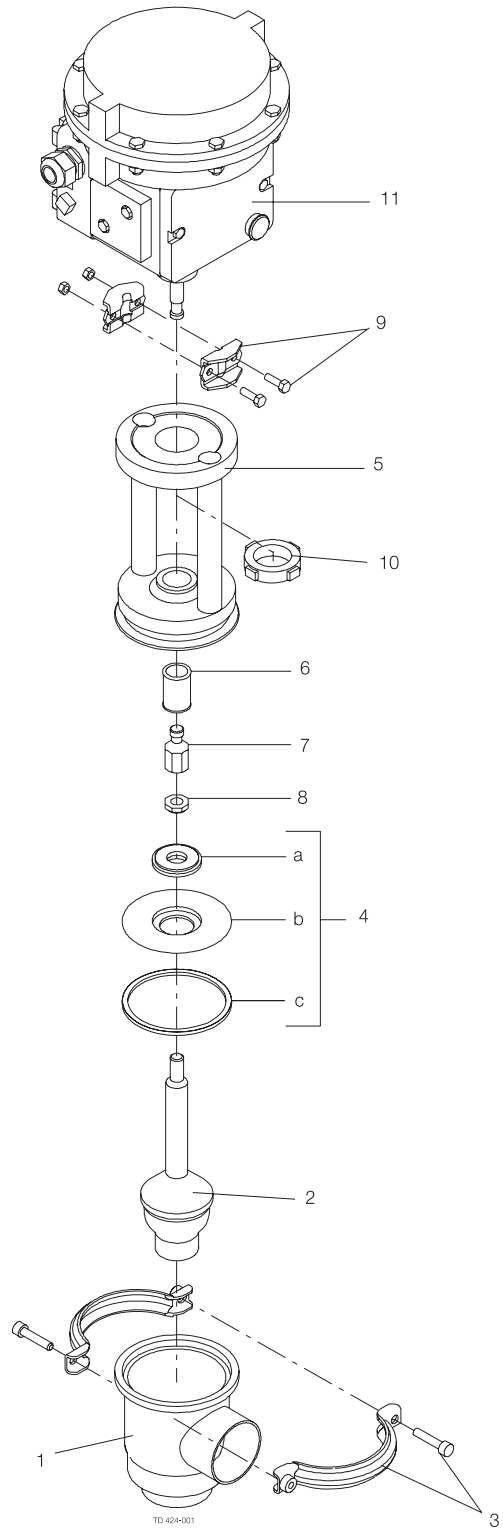
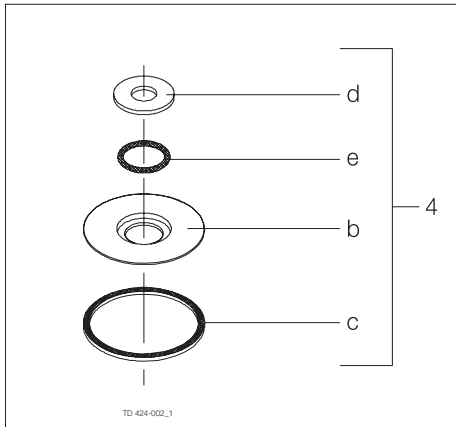


Table of contents

The information herein is correct at the time of issue but may be subject to change without prior notice

1. SPC-2 Sanitary Electro-Pneumatic Modulating Valve (Samson actuator, beige colour) ..	4
2. SPC-2 Sanitary Electro-Pneumatic Modulating Valve with ARC plug	8

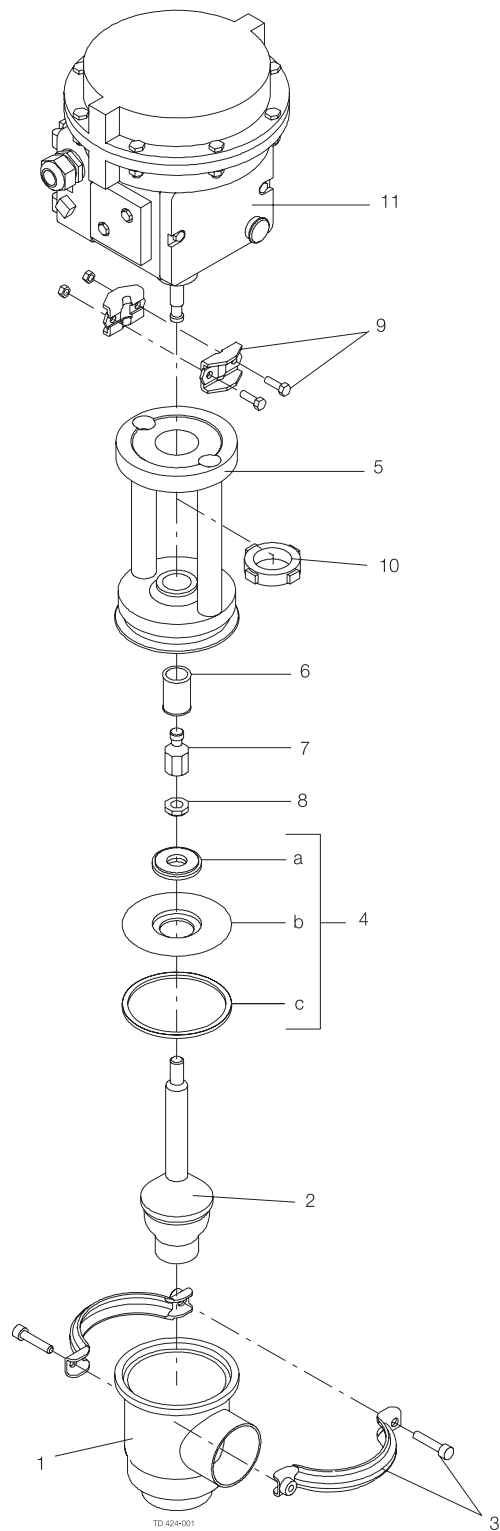
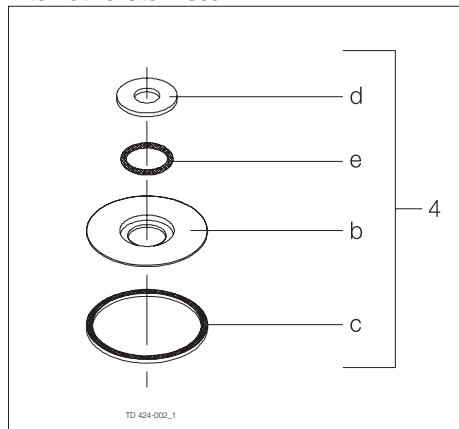
Parts for PTFE/FEP seal
Alternative Stem seal 2



SPC-2 Sanitary Electro-Pneumatic Modulating Valve (Samson actuator, beige colour)

Pos	Qty	Denomination	38 mm DN40	51 mm DN50	63.5 mm DN65	76.1 mm DN80	101.6 mm DN100
1	1	Valve body, Kv 0.5 ISO	9612-1155-01				
	1	Valve body, Kv 0.5 DIN	9612-1180-01				
	1	Valve body, Kv 1 ISO	9612-1155-02				
	1	Valve body, Kv 1 DIN	9612-1180-02				
	1	Valve body, Kv 2 ISO	9612-1155-03				
	1	Valve body, Kv 2 DIN	9612-1180-03				
	1	Valve body, Kv 4 ISO	9612-1155-04				
	1	Valve body, Kv 4 DIN	9612-1180-04				
	1	Valve body, Kv 8 ISO	9612-1155-05				
	1	Valve body, Kv 8 DIN	9612-1180-05				
	1	Valve body, Kv 16 ISO	9612-1155-06				
	1	Valve body, Kv 16 DIN	9612-1180-06				
	1	Valve body, Kv 32 ISO		9612-1156-01			
	1	Valve body, Kv 32 DIN		9612-1181-01			
	1	Valve body, Kv 64 ISO			9612-1157-01		
	1	Valve body, Kv 64 DIN			9612-1182-01		
	1	Valve body, Kv 75 ISO				9612-1158-04	
	1	Valve body, Kv 75 DIN				9612-1183-02	
	1	Valve body, Kv 101 ISO					9612-1159-04
	1	Valve body, Kv 101 DIN					9612-1184-02
2	1	Plug, Kv 0.5 ISO/DIN	9612-5282-01				
	1	Plug, Kv 1 ISO/DIN	9612-5283-01				
	1	Plug, Kv 2 ISO/DIN	9612-5284-01				
	1	Plug, Kv 4 ISO/DIN	9612-5285-01				
	1	Plug, Kv 8 ISO/DIN	9612-5286-01				
	1	Plug, Kv 16 ISO/DIN	9612-5287-01				
	1	Plug, Kv 32 ISO/DIN		9612-5288-01			
	1	Plug, Kv 64 ISO/DIN			9612-5289-01		
	1	Plug, Kv 75 ISO				9612-5289-01	
	1	Plug, Kv 75 DIN				9612-5289-02	
	1	Plug, (Period 0610-) Kv 110 ISO/DIN					9613-4290-01
	1	Plug, NO (Period 9708-0610) Kv 110 ISO/DIN ...					9613-4290-02
	1	Plug, NC (Period 9708-0610) Kv 110 ISO/DIN ...					9613-4290-03
3	1	Clamp complete	31320-0027-3	31320-0027-3	31320-0027-5	31320-0027-5	31320-0027-5
4	1	Lip seal kit, EPDM (standard)	9611-92-0078	9611-92-0078	9611-92-0142	9611-92-0142	9611-92-0142
	1	Lip seal kit, NBR	9611-92-0079	9611-92-0079	9611-92-0143	9611-92-0143	9611-92-0143
	1	Lip seal kit, FPM	9611-92-0080	9611-92-0080	9611-92-0144	9611-92-0144	9611-92-0144
	1	Lip seal kit, PTFE/FEP	9611-92-0445	9611-92-0445	9611-92-0446	9611-92-0446	9611-92-0446
4a	1	Lip seal, EPDM	9612-2806-01	9612-2806-01	9612-3088-01	9612-3088-01	9612-3088-01
	1	Lip seal, NBR	9612-2806-02	9612-2806-02	9612-3088-02	9612-3088-02	9612-3088-02
	1	Lip seal, FPM	9612-2806-03	9612-2806-03	9612-3088-03	9612-3088-03	9612-3088-03
4b	1	Plate	9612-2805-01	9612-2805-01	9612-3087-01	9612-3087-01	9612-3087-01
	1	Plate, for FEP seal	31353-0453-1	31353-0453-1	31353-0454-1	31353-0454-1	31353-0454-1
4c	1	Seal ring, EPDM	31353-0128-1	31353-0128-1	31353-0205-1	31353-0205-1	31353-0205-1
	1	Seal ring, NBR	31353-0128-2	31353-0128-2	31353-0205-2	31353-0205-2	31353-0205-2
	1	Seal ring, FPM	31353-0128-3	31353-0128-3	31353-0205-3	31353-0205-3	31353-0205-3
	1	Seal ring, PTFE	31353-0451-1	31353-0451-1	31353-0451-2	31353-0451-2	31353-0451-2
4d	1	Washer	31353-0452-1	31353-0452-1	31353-0452-2	31353-0452-2	31353-0452-2
4e	1	O-ring, FEP	9611-99-2909	9611-99-2909	9611-99-2910	9611-99-2910	9611-99-2910
5	1	Bonnet complete	9612-5331-01	9612-5331-01	9612-5331-02	9612-5331-02	9612-5331-02
6	1	Guide ring	9612-3586-01	9612-3586-01	9612-3586-04	9612-3586-04	9612-3586-04
	1	Valve plug adjuster	9612-5340-01	9612-5340-01	9612-5340-01	9612-5340-01	
7	1	Valve plug adjuster, NO (Thread:M20) (Period 0610-)					9613-4289-01
	1	Valve plug adjuster, NC (Thread:M20) (Period 0610-)					9613-4313-01
	1	Valve plug adjuster, NO (Thread:M10) (Period 9708-0610)					9612-5340-01
	1	Valve plug adjuster, NC (Thread:M10) (Period 9708-0610)					9612-5340-02
8	1	Lock nut, (Thread:M10)	9612-5341-01	9612-5341-01	9612-5341-01	9612-5341-01	
	1	Lock nut, (Thread:M20) (Period 0610-)					9611-99-4727
	1	Lock nut, (Thread:M10) (Period 9708-0610)					9612-5341-01
9	1	Clamp fitting	9612-5342-01	9612-5342-01	9612-5342-01	9612-5342-01	
	1	Clamp fitting, NO					9612-5342-01
	1	Clamp fitting, NC					9612-5342-02
10	1	Striking nut	9612-5339-01	9612-5339-01	9612-5339-01	9612-5339-01	9612-5339-01
11	1	Actuator complete, NO	9612-5336-01	9612-5336-01	9612-5336-01	9612-5336-01	9612-5336-01
	1	Actuator complete, NC	9612-5336-02	9612-5336-02	9612-5336-02	9612-5336-02	9612-5336-03

Parts for PTFE/FEP seal
Alternative Stem seal 2



SPC-2 Sanitary Electro-Pneumatic Modulating Valve (Samson actuator, beige colour)

38 mm DN40	51 mm DN50	63.5 mm DN65	76.1 mm DN80	101.6 mm DN100
---------------	---------------	-----------------	-----------------	-------------------

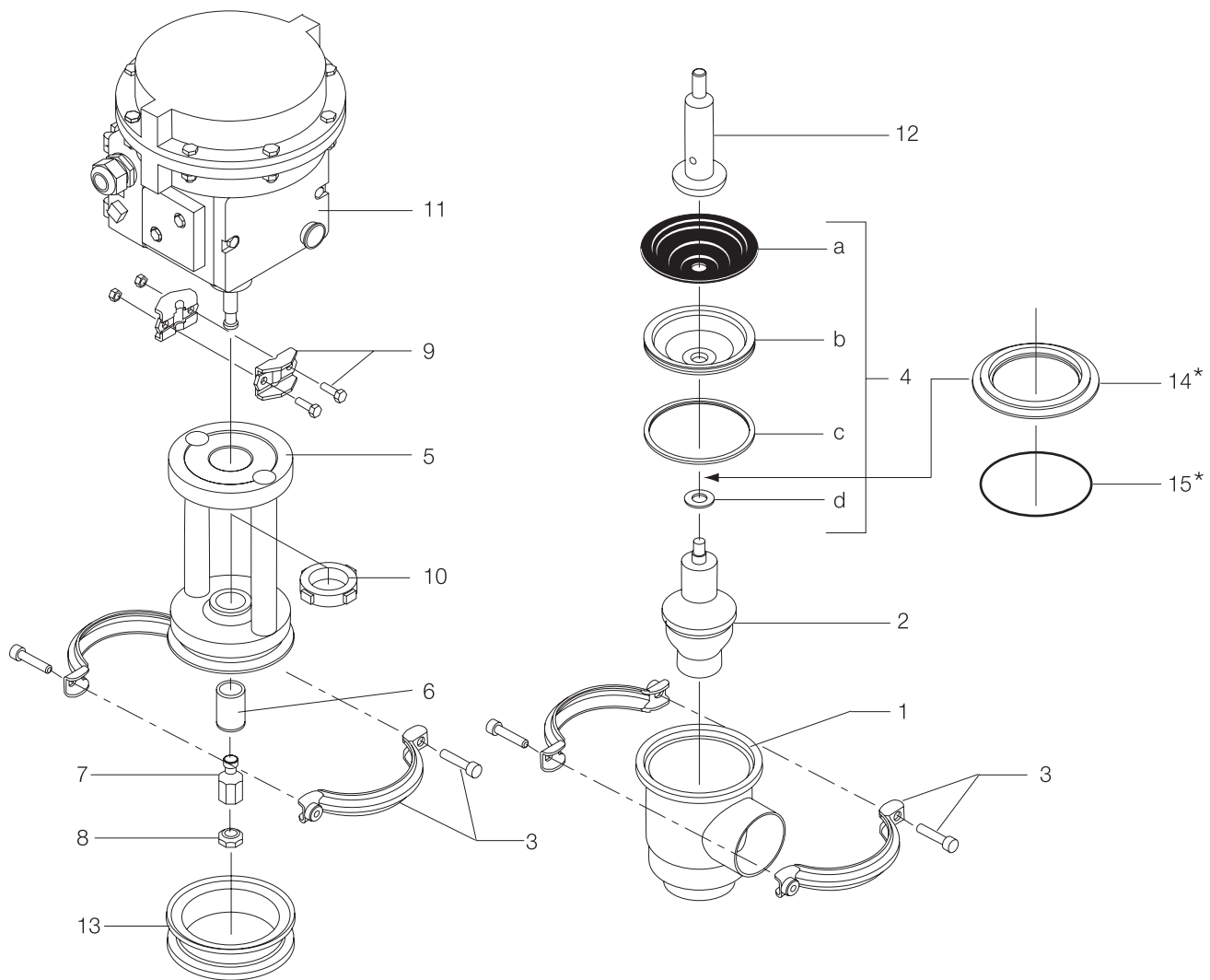
Service kit for Product wetted parts

Service kit EPDM	9611-92-0419	9611-92-0419	9611-92-0423	9611-92-0423	9611-92-0423
Service kit NBR	9611-92-0420	9611-92-0420	9611-92-0424	9611-92-0424	9611-92-0424
Service kit FPM	9611-92-0421	9611-92-0421	9611-92-0425	9611-92-0425	9611-92-0425
Service kit PTFE/FEP	9611-92-0422	9611-92-0422	9611-92-0426	9611-92-0426	9611-92-0426

Parts marked with □ are included in the Service kits.

Recommended Spare Parts: Service kits.

TD 900-402/2

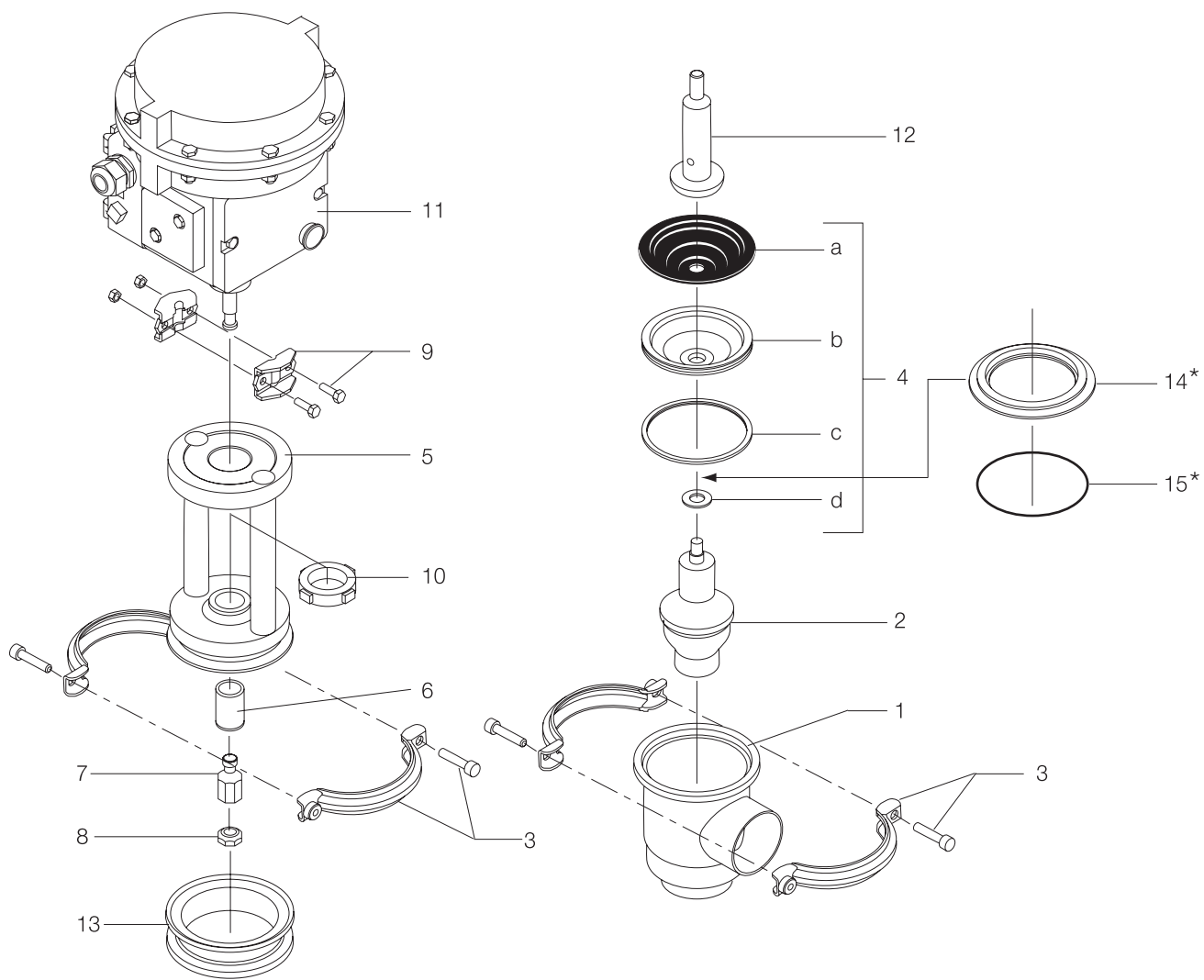


TD 424-003_1

* = only for 63.5-76.1mm/DN65/80

SPC-2 Sanitary Electro-Pneumatic Modulating Valve with ARC plug

Pos	Qty	Denomination	38 mm DN40	51 mm DN50	63.5 mm DN65	76.1 mm DN80	
1	1	Valve body, Kv 0.5 ISO	9612-1155-01				
	1	Valve body, Kv 0.5 DIN	9612-1180-01				
	1	Valve body, Kv 1 ISO	9612-1155-02				
	1	Valve body, Kv 1 DIN	9612-1180-02				
	1	Valve body, Kv 2 ISO	9612-1155-03				
	1	Valve body, Kv 2 DIN	9612-1180-03				
	1	Valve body, Kv 4 ISO	9612-1155-04				
	1	Valve body, Kv 4 DIN	9612-1180-04				
	1	Valve body, Kv 8 ISO	9612-1155-05				
	1	Valve body, Kv 8 DIN	9612-1180-05				
	1	Valve body, Kv 16 ISO	9612-1155-06				
	1	Valve body, Kv 16 DIN	9612-1180-06				
	1	Valve body, Kv 32 ISO		9612-1156-01			
	1	Valve body, Kv 32 DIN		9612-1181-01			
	1	Valve body, Kv 64 ISO			9612-1157-01		
	1	Valve body, Kv 64 DIN			9612-1182-01		
	1	Valve body, Kv 75 ISO				9612-1158-04	
	1	Valve body, Kv 75 DIN				9612-1183-02	
	2	1	Valve body, Kv 101 ISO				
		1	Valve body, Kv 101 DIN				
1		Plug, Kv 0.5 ISO	9612-1187-01				
1		Plug, Kv 0.5 DIN	9612-1187-01				
1		Plug, Kv 1 ISO	9612-1188-01				
1		Plug, Kv 1 DIN	9612-1188-01				
1		Plug, Kv 2 ISO	9612-1189-01				
1		Plug, Kv 2 DIN	9612-1189-01				
1		Plug, Kv 4 ISO	9612-1190-01				
1		Plug, Kv 4 DIN	9612-1190-01				
1		Plug, Kv 8 ISO	9612-1191-01				
1		Plug, Kv 8 DIN	9612-1191-01				
1		Plug, Kv 16 ISO	9612-1192-01				
1		Plug, Kv 16 DIN	9612-1192-01				
1		Plug, Kv 32 ISO		9612-1194-01			
1		Plug, Kv 32 DIN		9612-1194-01			
1		Plug, Kv 64 ISO			9612-1196-01		
1		Plug, Kv 64 DIN			9612-1196-01		
1	Plug, Kv 75 ISO				9612-1196-01		
1	Plug, Kv 75 DIN				9612-1196-02		
1	Plug, Kv 110 ISO						
1	Plug, Kv 110 DIN						
3	2	Clamp complete	31320-0027-3	31320-0027-3	31320-0027-5	31320-0027-5	
4	1	Diaphragm set, PTFE/EPDM (complete replacement recommended)	9611-92-0001	9611-92-0001	9611-92-0007	9611-92-0007	
	1	Diaphragm set, PTFE/NBR	9611-92-0081	9611-92-0081	9611-92-0083	9611-92-0083	
4a	□	1 Diaphragm set, PTFE/FPM	9611-92-0082	9611-92-0082	9611-92-0084	9611-92-0084	
	□	1 Diaphragm support, EPDM	31353-0816-1	31353-0816-1	31353-0816-2	31353-0816-2	
4b	□	1 Diaphragm PTFE	31353-0820-1	31353-0820-1	31353-0820-2	31353-0820-2	
	□	1 L-seal, EPDM (standard)	31353-0817-1	31353-0817-1	31353-0817-1	31353-0817-1	
4c	□	1 L-seal, NBR	31353-0817-2	31353-0817-2	31353-0817-2	31353-0817-2	
	□	1 L-seal, FPM	31353-0817-3	31353-0817-3	31353-0817-3	31353-0817-3	
	□	1 Stem seal, EPDM (standard)	31353-0818-1	31353-0818-1	31353-0818-2	31353-0818-2	
	□	1 Stem seal, NBR	31353-0818-3	31353-0818-3	31353-0818-4	31353-0818-4	
	□	1 Stem seal, FPM	31353-0818-5	31353-0818-5	31353-0818-6	31353-0818-6	
	□	1 Bonnet complete	9612-5331-01	9612-5331-01	9612-5331-02	9612-5331-02	
6	□	1 Guide ring	9612-3586-01	9612-3586-01	9612-3586-04	9612-3586-04	
7	1	Valve plug adjuster	9612-5340-01	9612-5340-01	9612-5340-01	9612-5340-01	
8	1	Lock nut	9612-5341-01	9612-5341-01	9612-5341-01	9612-5341-01	
9	1	Clamp fitting	9612-5342-01	9612-5342-01	9612-5342-01	9612-5342-01	
10	1	Striking nut	9612-5339-01	9612-5339-01	9612-5339-01	9612-5339-01	
11	1	Actuator complete, NO	9612-5336-01	9612-5336-01	9612-5336-01	9612-5336-01	
	1	Actuator complete, NC	9612-5336-02	9612-5336-02	9612-5336-02	9612-5336-02	
12	1	Stem, upper	9612-5274-01	9612-5274-01	9612-5275-01	9612-5275-01	
13	1	Intermediate piece	31353-0813-3	31353-0813-3	31353-0840-3	31353-0840-3	
14	1	Diaphragm ring			31353-0841-1	31353-0841-1	
15	□	1 Seal ring, EPDM (standard)			31353-0205-1	31353-0205-1	
	□	1 Seal ring, NBR			31353-0205-2	31353-0205-2	
	□	1 Seal ring, FPM			31353-0205-3	31353-0205-3	



TD 424-003_1

* = only for 63.5-76.1mm/DN65/80

SPC-2 Sanitary Electro-Pneumatic Modulating Valve with ARC plug

38 - 51 mm 63.5 - 76.1 mm
DN40 - DN50 DN65 - DN80

Service kit for Product wetted parts

Service kit EPDM	9611-92-0427	9611-92-6430
Service kit NBR	9611-92-0428	9611-92-6431
Service kit FPM	9611-92-0429	9611-92-6432

Parts marked with □ are included in the Service kits.

Recommended Spare Parts: Service kits.

TD 900-403/2

How to contact Alfa Laval

Contact details for all countries are continually updated on our website.

Please visit www.alfalaval.com to access the information direct.