



Spare Parts

Alfa Laval Toftejorg SaniJet 25

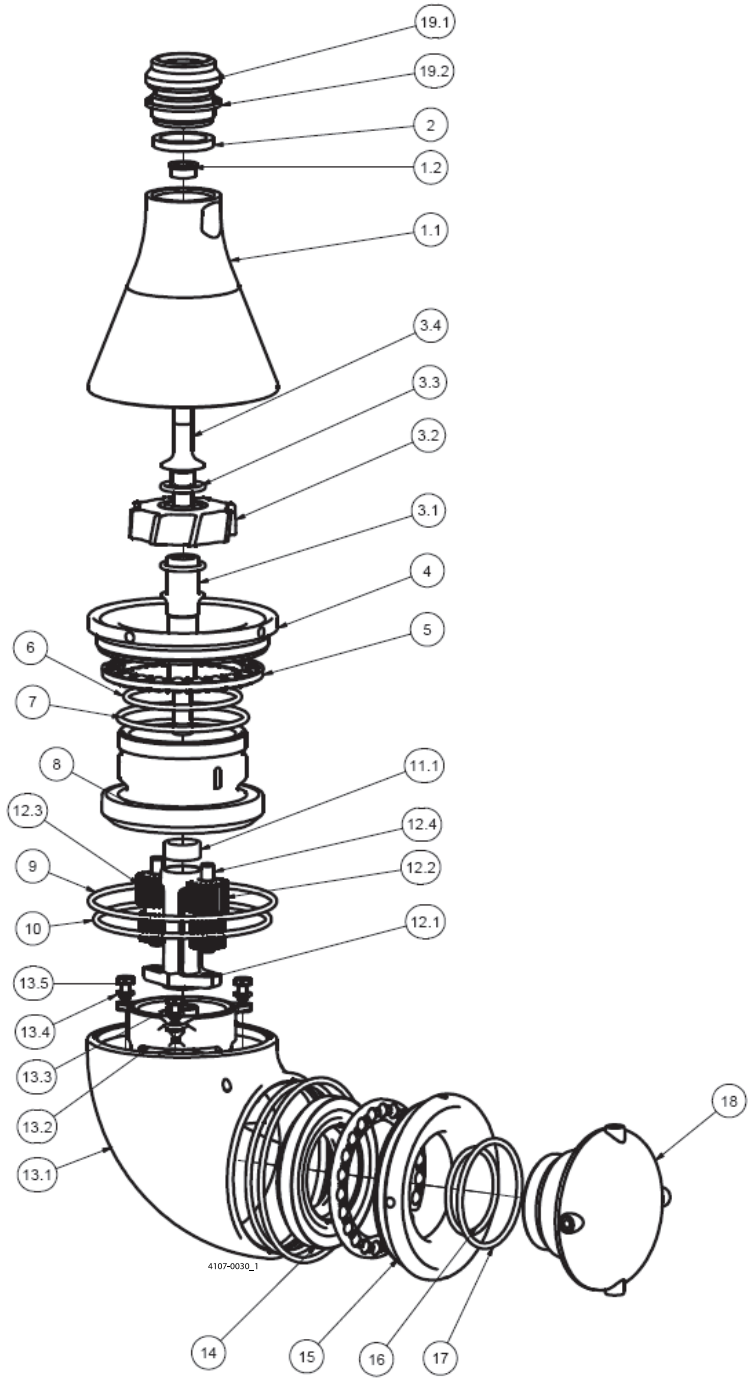


ESE02828-EN12 2023-09

Original manual

The information herein is correct at the time of issue but may be subject to change without prior notice

1. SaniJet 25	4
2. SaniJet 25 UltraPure	6
3. SaniJet 25 Duplex FFKM	8
4. SaniJet 25 FFKM/SS FFKM	10
5. SaniJet 25 service kits and tools	12



Pos	Qty	Denomination	Article no.	Materials	Remarks
Reference List of Parts, Alfa Laval Toftejorg SaniJet 25					
For machines with -0x and -7x (after August 2012)					
1.1	1	Cone	TE20J510	Stainless steel	Spare part
1.2	1	○● Bushing	TE20J514	Polymer	Wear part
2	1	○◇● Gasket	TE51T212	Elastomer	Wear part
3.1	1	Impeller Shaft	TE20J540	Stainless steel	Spare part
3.2	1	□ Impeller, (ø4.2mm nozzle)	TE20J544	Polymer	Spare part
	1	□ Impeller, (ø5.2mm nozzle)	TE20J545	Polymer	Spare part
	1	□ Impeller, (ø6.2mm nozzle)	TE20J546	Polymer	Spare part
3.3	2	○◇● O-ring	TE51T135	Elastomer	Wear part
3.4	1	Shaft end	TE20J542	Stainless steel	Spare part
4	1	● Nut for stem	TE20J627	Stainless steel	Wear part
5	2	○● Ball retainer with balls	TE20G318	Polymer/Stain- less steel	Wear part
6	1	○◇● O-ring	TE51T138	Elastomer	Wear part
7	1	○◇● O-ring	TE51T139	Elastomer	Wear part
8	1	● Stem	TE20J624	Stainless steel	Wear part
9	2	○◇● O-ring	TE51T141	Elastomer	Wear part
10	2	○◇● O-ring	TE51T140	Elastomer	Wear part
11.	1	● Bushing	TE20J521	Polymer	Wear part
12	1	● Planet gear	TE20J515	Polymer/Stain- less steel	Wear part
13.	1	1) Body, 1)		Stainless steel	N/A
13.	1	2) Gear ring	TE20J506	Stainless steel	Spare part
13.	1	○● Bearing for body	TE20J508	Polymer	Wear part
13.	6	4) Seal ring	TE20J509	Polymer	Spare part
13.	3	5) Screw for body assembly	TE20J550	Stainless steel	Spare part
14	1	● Bevel gear	TE20J522	Stainless steel	Wear part
15	1	● Nut for hub	TE20J638	Stainless steel	Wear part
16	1	○◇● O-ring	TE51T136	Elastomer	Wear part
17	1	○◇● O-ring	TE51T137	Elastomer	Wear part
18	1	□ Nozzle head, (ø4.2mm nozzle)	TE20J320	Stainless steel	Spare part
	1	□ Nozzle head, (ø5.2mm nozzle)	TE20J321	Stainless steel	Spare part
	1	□ Nozzle head, (ø6.2mm nozzle)	TE20J322	Stainless steel	Spare part
19.	1	□ Welding adaptor, (1½ Dairy)	TE52D552	Stainless steel	Spare part
19.	1	□ Welding adaptor, (1 ANSI/Sch40)	TE52D554	Stainless steel	Spare part
	1	□ Welding adaptor, (NW40)	TE52D556	Stainless steel	Spare part
	1	□ Welding adaptor, (1½ BPE US/SWG)	TE52D558	Stainless steel	Spare part
19.	1	○◇● Gasket	TE52D561	Polymer	Wear part

1): Pos. 13.1 is not sold as single Spare part component but only as part of a machine maintenance/repair order. For further information please contact Alfa Laval Customer Support.

Please note that some of the polymer parts are in PEEK, which is not resistant to concentrated sulfuric acid.

Service kits

◇	Inspection kit	TE20J297	TE20J29790*
○	Minor service kit	TE20J298	TE20J29890*
●	Major service kit	TE20J299	TE20J29990*

Configuration according to delivery note/order.

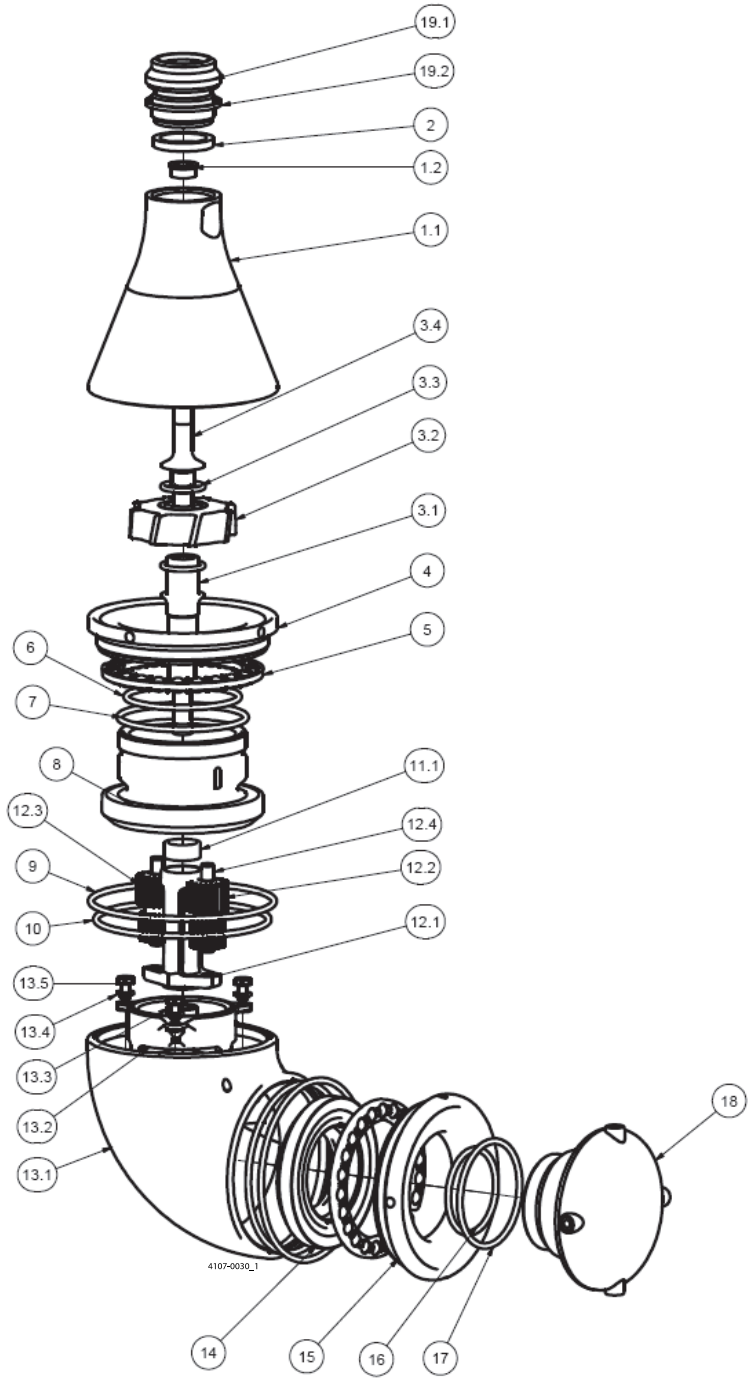
Parts marked with ◇ are included in the Inspection Kit: TE20J297 & TE20J29790*

Parts marked with ○ are included in the Minor Service Kit: TE20J298 & TE20J29890*

Parts marked with ● are included in the Major Service Kit: TE20J299 & TE20J29990*

*With Q-Doc

The machine can be delivered with ATEX/IECEX certification.



Pos	Qty	Denomination	Article no.	Materials	Remarks
Parts list, Toftejorg SaniJet 25					
For machines with -5x, -6x, -8x and -9x (after August 2012)					
1.1	1	Cone	TE20J510	Stainless steel	Spare part
1.2	1	Bushing	TE20J514	Polymer	Wear part
2	1	Gasket	TE51T212	Elastomer	Wear part
3.1	1	Impeller Shaft	TE20J540	Stainless steel	Spare part
3.2	1	Impeller, (ø4.2mm nozzle)	TE20J544	Polymer	Spare part
	1	Impeller, (ø5.2mm nozzle)	TE20J545	Polymer	Spare part
	1	Impeller, (ø6.2mm nozzle)	TE20J546	Polymer	Spare part
3.3	2	O-ring	TE51T135	Elastomer	Wear part
3.4	1	Shaft end	TE20J542	Stainless steel	Spare part
4	1	Nut for stem	TE20J627	Stainless steel	Wear part
5	2	Ball retainer with balls	TE20G318	Polymer/Stain- less steel	Wear part
6	1	O-ring	TE51T194	Elastomer	Wear part
7	1	O-ring	TE51T139	Elastomer	Wear part
8	1	Stem	TE20J624	Stainless steel	Wear part
9	2	O-ring	TE51T196	Elastomer	Wear part
10	2	O-ring	TE51T195	Elastomer	Wear part
11	1	Bushing	TE20J521	Polymer	Wear part
12	1	Planet gear	TE20J515	Polymer/Stain- less steel	Wear part
13.1	1	Body, 1)		Stainless steel	N/A
13.2	1	Gear ring	TE20J506	Stainless steel	Spare part
13.3	1	Bearing for body	TE20J508	Polymer	Wear part
13.4	6	Seal ring	TE20J509	Polymer	Spare part
13.5	3	Screw for body assembly	TE20J550	Stainless steel	Spare part
14	1	Bevel gear	TE20J522	Stainless steel	Wear part
15	1	Nut for hub	TE20J638	Stainless steel	Wear part
16	1	O-ring	TE51T192	Elastomer	Wear part
17	1	O-ring	TE51T193	Elastomer	Wear part
18	1	Nozzle head, (ø4.2mm nozzle)	TE20J320	Stainless steel	Spare part
	1	Nozzle head, (ø5.2mm nozzle)	TE20J321	Stainless steel	Spare part
	1	Nozzle head, (ø6.2mm nozzle)	TE20J322	Stainless steel	Spare part
19.1	1	Welding adaptor, (1½ Dairy)	TE52D552	Stainless steel	Spare part
	1	Welding adaptor, (1 ANSI/Sch40)	TE52D554	Stainless steel	Spare part
	1	Welding adaptor, (NW40)	TE52D556	Stainless steel	Spare part
	1	Welding adaptor, (1½ BPE US/SWG)	TE52D558	Stainless steel	Spare part
19.2	1	Gasket	TE52D561	Polymer	Wear part

1): Pos. 13.1 is not sold as single spare part component but only as part of a machine maintenance/repair order. For further information please contact Alfa Laval Customer Support.

Please note that some of the polymer parts are in PEEK, which is not resistant to concentrated sulfuric acid.

Service kits

- **Inspection kit*** TE20J29701
- ⊙ **Minor service kit*** TE20J29801
- **Major service kit*** TE20J29901

Configuration according to delivery note/order.

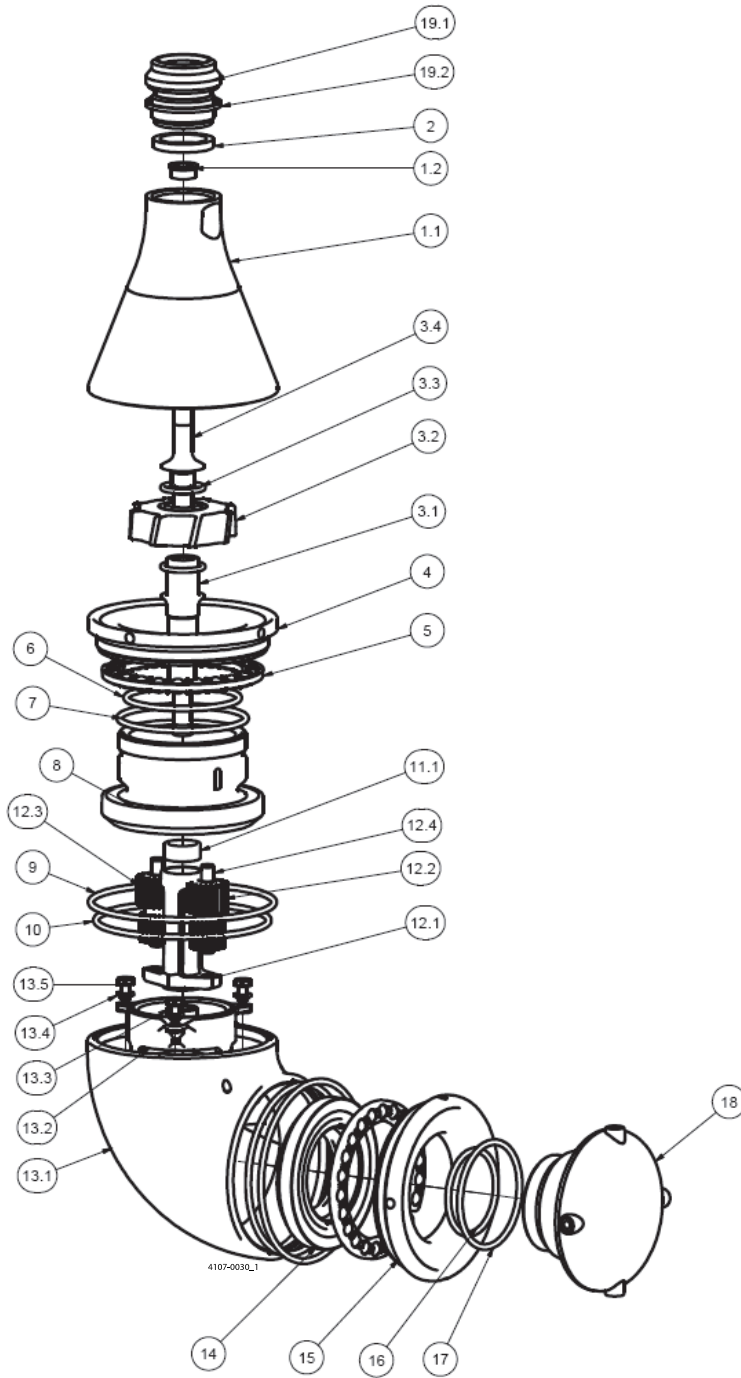
Parts marked with • are included in the Inspection Kit: TE20J29701*

Parts marked with ⊙ are included in the Minor Service Kit: TE20J29801*

Parts marked with ○ are included in the Major Service Kit: TE20J29901*

* with Q-Doc and USP VI certificate

The machine can be delivered with ATEX/IECEX certification.



Exploded view drawing

Pos	Qty	Denomination	Article no.	Materials	Remarks
Reference List of Parts, Alfa Laval Toftejorg SaniJet 25 Duplex FFKM					
1.1	1	Cone, welded	9690008401	SD Steel ²⁾	Spare part
1.2	1	Bushing	TE20J514	Polymer	Wear part
2	1	Gasket, f. 1" cones, Sani. Con.	9690011301	FFKM	Wear part
3.1	1	Impeller Shaft	9690009601	SD Steel ²⁾	Spare part
3.2	1	Impeller, (ø4.2mm nozzle)	TE20J544	Polymer	Spare part
	1	Impeller, (ø5.2mm nozzle)	TE20J545	Polymer	Spare part
	1	Impeller, (ø6.2mm nozzle)	TE20J546	Polymer	Spare part
3.3	2	O-ring	9690010501	FFKM	Wear part
3.4	1	Shaft end	9690008501	SD Steel ²⁾	Spare part
4	1	Nut for stem	9690008601	SD Steel ²⁾	Wear part
5	2	Ball retainer with balls	TE20H318	Polymer/hastel- loy	Wear part
6	1	O-ring	9690010701	FFKM	Wear part
7	1	O-ring	9690010601	FFKM	Wear part
8	1	Stem	9690009801	SD Steel ²⁾	Wear part
9	2	O-ring	9690010801	FFKM	Wear part
10	2	O-ring	9690010901	FFKM	Wear part
11.	1	Bushing	TE20J521	Polymer	Wear part
12	1	Planet gear assembly	9690012901	Polymer/SD Steel ²⁾	Wear part
13.	1	Body, 1)		SD Steel ²⁾	N/A
13.	1	Gear ring	9690010001	SD Steel ²⁾	Spare part
13.	1	Bearing for body	TE20J508	Polymer	Wear part
13.	6	Seal ring	TE20J509	Polymer	Spare part
13.	3	Screw for body assembly	9690008901	SD Steel ²⁾	Spare part
14	1	Bevel gear	9690010201	SD Steel ²⁾	Wear part
15	1	Nut for hub	9690009001	SD Steel ²⁾	Wear part
16	1	O-ring	9690011001	FFKM	Wear part
17	1	O-ring	9690011101	FFKM	Wear part
18	1	Nozzle head, (ø4.2mm nozzle)	9690010301	SD Steel ²⁾	Spare part
	1	Nozzle head, (ø5.2mm nozzle)	9690010302	SD Steel ²⁾	Spare part
	1	Nozzle head, (ø6.2mm nozzle)	9690010303	SD Steel ²⁾	Spare part
19.	1	Welding adapter, 1"BSP/1½"BPE pipe compl.	9690011201	SD Steel ²⁾	Spare part
19.	1	Welding adapter, Welding adaptor 1"BSP/1½"BPE pipe	9690009101	SD Steel ²⁾	Spare part
19.	1	Gasket	TE52D561	Polymer	Wear part

1): Pos. 13.1 is not sold as single Spare part component but only as part of a machine maintenance/repair order. For further information please contact Alfa Laval Customer Support.

2): SD Steel = Super Duplex Steel.

Please note that some of the polymer parts are in PEEK, which is not resistant to concentrated sulfuric acid.

Service kits

◆	Inspection kit*	9690012601
⊗	Minor service kit*	9690012701
○	Major service kit*	9690012801

Configuration according to delivery note/order.

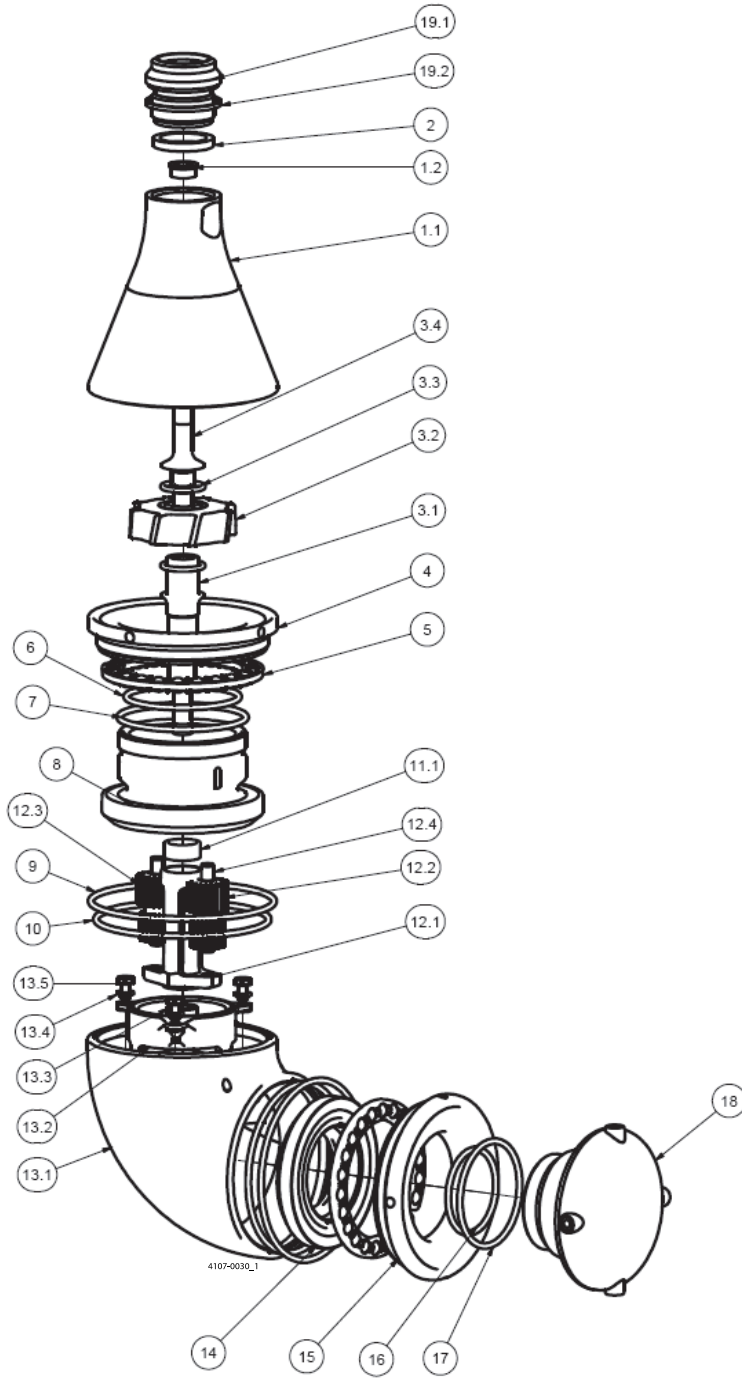
Parts marked with ◆ are included in the Inspection Kit: 9690012601*

Parts marked with ⊗ are included in the Minor Service Kit: 9690012701*

Parts marked with ○ are included in the Major Service Kit: 9690012801*

* with Q-Doc and USP VI certificate

The machine can be delivered with ATEX/IECEx certification.



Pos	Qty	Denomination	Article no.	Materials	Remarks
Reference List of Parts, Alfa Laval Toftejorg SaniJet 25 FFKM					
1.1	1	Cone	TE20J510	Stainless steel	Spare part
1.2	1	Bushing	TE20J514	Polymer	Wear part
2	1	Gasket	9690011301	Elastomer	Wear part
				(FFKM)	
3.1	1	Impeller Shaft	TE20J540	Stainless steel	Spare part
3.2	1	Impeller, (ø4.2mm nozzle)	TE20J544	Polymer	Spare part
	1	Impeller, (ø5.2mm nozzle)	TE20J545	Polymer	Spare part
	1	Impeller, (ø6.2mm nozzle)	TE20J546	Polymer	Spare part
3.3	2	O-ring	9690010501	Elastomer	Wear part
				(FFKM)	
3.4	1	Shaft end	TE20J542	Stainless steel	Spare part
4	1	Nut for stem	TE20J627	Stainless steel	Wear part
5	2	Ball retainer with balls	TE20G318	Polymer/Stain-	Wear part
				less steel	
6	1	O-ring	9690010701	Elastomer	Wear part
				(FFKM)	
7	1	O-ring	9690010601	Elastomer	Wear part
				(FFKM)	
8	1	Stem	TE20J624	Stainless steel	Wear part
9	2	O-ring	9690010801	Elastomer	Wear part
				(FFKM)	
10	2	O-ring	9690010901	Elastomer	Wear part
				(FFKM)	
11.	1	Bushing	TE20J521	Polymer	Wear part
12	1	Planet gear	TE20J515	Polymer/Stain-	Wear part
				less steel	
13.	1	Body, 1)		Stainless steel	N/A
13.	1	Gear ring	TE20J506	Stainless steel	Spare part
13.	1	Bearing for body	TE20J508	Polymer	Wear part
13.	6	Seal ring	TE20J509	Polymer	Spare part
13.	3	Screw for body assembly	TE20J550	Stainless steel	Spare part
14	1	Bevel gear	TE20J522	Stainless steel	Wear part
15	1	Nut for hub	TE20J638	Stainless steel	Wear part
16	1	O-ring	9690011001	Elastomer	Wear part
				(FFKM)	
17	1	O-ring	9690011101	Elastomer	Wear part
				(FFKM)	
18	1	Nozzle head, (ø4.2mm nozzle)	TE20J320	Stainless steel	Spare part
	1	Nozzle head, (ø5.2mm nozzle)	TE20J321	Stainless steel	Spare part
	1	Nozzle head, (ø6.2mm nozzle)	TE20J322	Stainless steel	Spare part
19.	1	Welding adaptor, (1½ Dairy)	TE52D552	Stainless steel	Spare part
	1	Welding adaptor, (1 ANSI/Sch40)	TE52D554	Stainless steel	Spare part
	1	Welding adaptor, (NW40)	TE52D556	Stainless steel	Spare part
	1	Welding adaptor, (1½ BPE US/SWG)	TE52D558	Stainless steel	Spare part
19.	1	Gasket	TE52D561	Polymer	Wear part

1): Pos. 13.1 is not sold as single spare part component but only as part of a machine maintenance/repair order. For further information please contact Alfa Laval Customer Support.

Please note that some of the polymer parts are in PEEK, which is not resistant to concentrated sulfuric acid.

Service kits

♦	Inspection kit*	9690012601
⊗	Minor service kit*	9690012702
○	Major service kit*	9690012802

□ Configuration according to delivery note/order.

Parts marked with ♦ are included in the Inspection Kit: 9690012601*

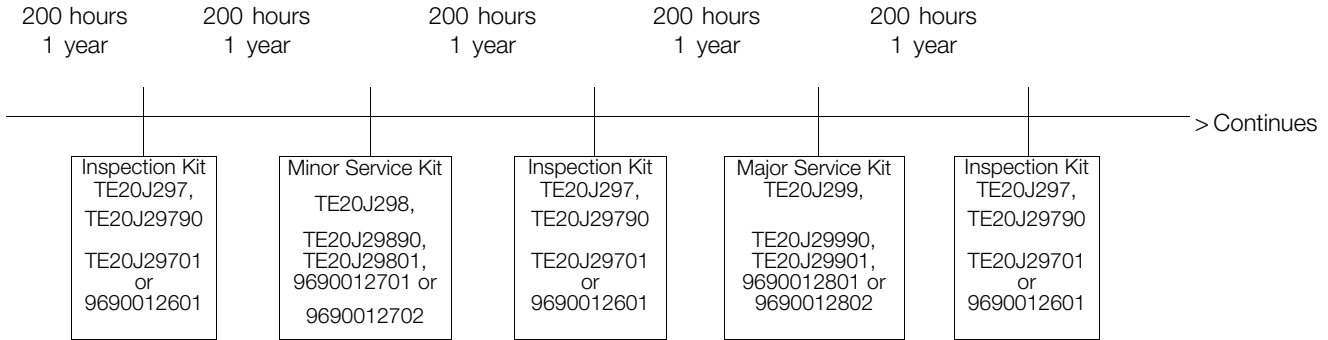
Parts marked with ⊗ are included in the Minor Service Kit: 9690012702*

Parts marked with ○ are included in the Major Service Kit: 9690012802*

* with Q-Doc and USP VI certificate

The machine can be delivered with ATEX/IECEX certification.

Service Intervals



NOTE

The service intervals are recommended on the basis of pure liquids. When liquids contain particles and other kind of abrasives, we recommend shorter service intervals depending on the actual running conditions.

SaniJet 25 service kits and tools

Pos	Qty	Denomination	SJ25	SJ25**	SJ25 UP*	Duplex FFKM/SS FFKM
		Inspection Kit f. Toftejorg SaniJet 25	TE20J297	TE20J29790	TE20J29701 ⁾	9690012601 ⁾
Consisting of:						
2	1	Gasket	TE51T212	TE51T212	TE51T212	9690011301
3.3	2	O-ring	TE51T135	TE51T135	TE51T135	9690010501
6	1	O-ring	TE51T138	TE51T138	TE51T194	9690010701
7	1	O-ring	TE51T139	TE51T139	TE51T139	9690010601
9	2	O-ring	TE51T141	TE51T141	TE51T196	9690010801
10	2	O-ring	TE51T140	TE51T140	TE51T195	9690010901
16	1	O-ring	TE51T136	TE51T136	TE51T192	9690011001
17	1	O-ring	TE51T137	TE51T137	TE51T193	9690011101
19.	1	Gasket	TE52D561	TE52D561	TE52D561	TE52D561

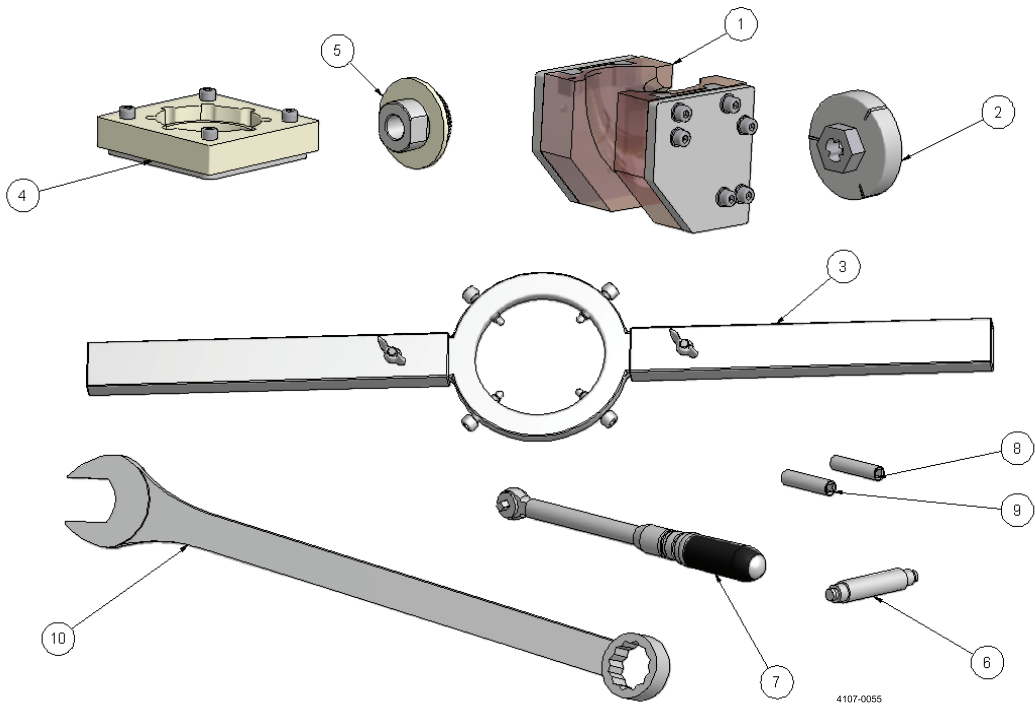
Pos	Qty	Denomination	SJ25	SJ25**	SJ25 UP*	Duplex FFKM	SS FFKM
		Minor Service Kit f. Toftejorg SaniJet 25	TE20J298	TE20J29890	TE20J29801 ⁾	9690012701 ⁾	9690012702 ⁾
Consisting of:							
1.2	1	Bushing	TE20J514	TE20J514	TE20J514	TE20J514	TE20J514
5	2	Ball retainer with balls	TE20G318	TE20G318	TE20G318	TE20H318	TE20G318
13.	1	Bearing for body	TE20J508	TE20J508	TE20J508	TE20J508	TE20J508
3	1	Inspection Kit f. SaniJet 25	TE20J297	TE20J29790	TJ20J29701	9690012601	9690012601

Pos	Qty	Denomination	SJ25	SJ25**	SJ25 UP*	Duplex FFKM	SS FFKM
		Major Service Kit f. Toftejorg SaniJet 25	TE20J299	TE20J29990	TE20J29901 ⁾	9690012801 ⁾	9690012802 ⁾
Consisting of:							
4	1	Nut for stem	TE20J627	TE20J627	TE20J627	9690008601	TE20J638
8	1	Stem	TE20J624	TE20J624	TE20J624	9690009801	TE20J624
11.	1	Bushing	TE20J521	TE20J521	TE20J521	TE20J521	TE20J521
1							
12	1	Planet gear assembly	TE20J515	TE20J515	TE20J515	9690012901	TE20J515
14	1	Bevel gear	TE20J522	TE20J522	TE20J522	9690010201	TE20J522
15	1	Nut for hub	TE20J638	TE20J638	TE20J638	9690009001	TE20J638
-	1	Minor Service kit f. SaniJet 25	TE20J298	TE20J29890	TE20J29801	9690012701	9690012702

⁾ With Q-Doc and USP VI Certificate

^{**)} With Q-Doc

Tools



Pos	Qty	Denomination	Item no.
Tools			
		Standard tool kit for Alfa Laval Toftejorg SaniJet 25	TE81B155
Consisting of:			
1	1	Fixture tool f. body	TE20J386
2	1	Fixture tool f. hub and turbine	TE20J392
3	1	Ring key f. nuts (dismountable)	TE20J393
4	1	Fixture tool f. nozzle	TE20J366
5	1	Fixture tool f. stem	TE20J360
6	1	Drift f. bushings	TE81B139
7	1	Torque wrench (4-24 Nm) ¼	TE81B156
8	1	NV8 socket, long, ¼	TE81B157
9	1	NV9 socket, long, ¼	TE81B158
10	1	NV36 Ring/Fork key	TE81B159

- + Bench vise (jaw opening > 160 mm)
- + Hammer (soft - plastic)
- + 3-5 mm standard drift
- + brush for applying food grade/FDA compliant grease

All tool surfaces that come into contact with the machine shall be of a material that is not corroded and free of imperfections and soil.

How to contact Alfa Laval

Contact details for all countries are continually updated on our website.

Please visit www.alfalaval.com to access the information directly.

© Alfa Laval Corporate AB

This document and its contents is owned by Alfa Laval Corporate AB and protected by laws governing intellectual property and thereto related rights. It is the responsibility of the user of this document to comply with all applicable intellectual property laws. Without limiting any rights related to this document, no part of this document may be copied, reproduced or transmitted in any form or by any means (electronic, mechanical, photocopying, recording, or otherwise), or for any purpose, without the expressed permission of Alfa Laval Corporate AB. Alfa Laval Corporate AB will enforce its rights related to this document to the fullest extent of the law, including the seeking of criminal prosecution.