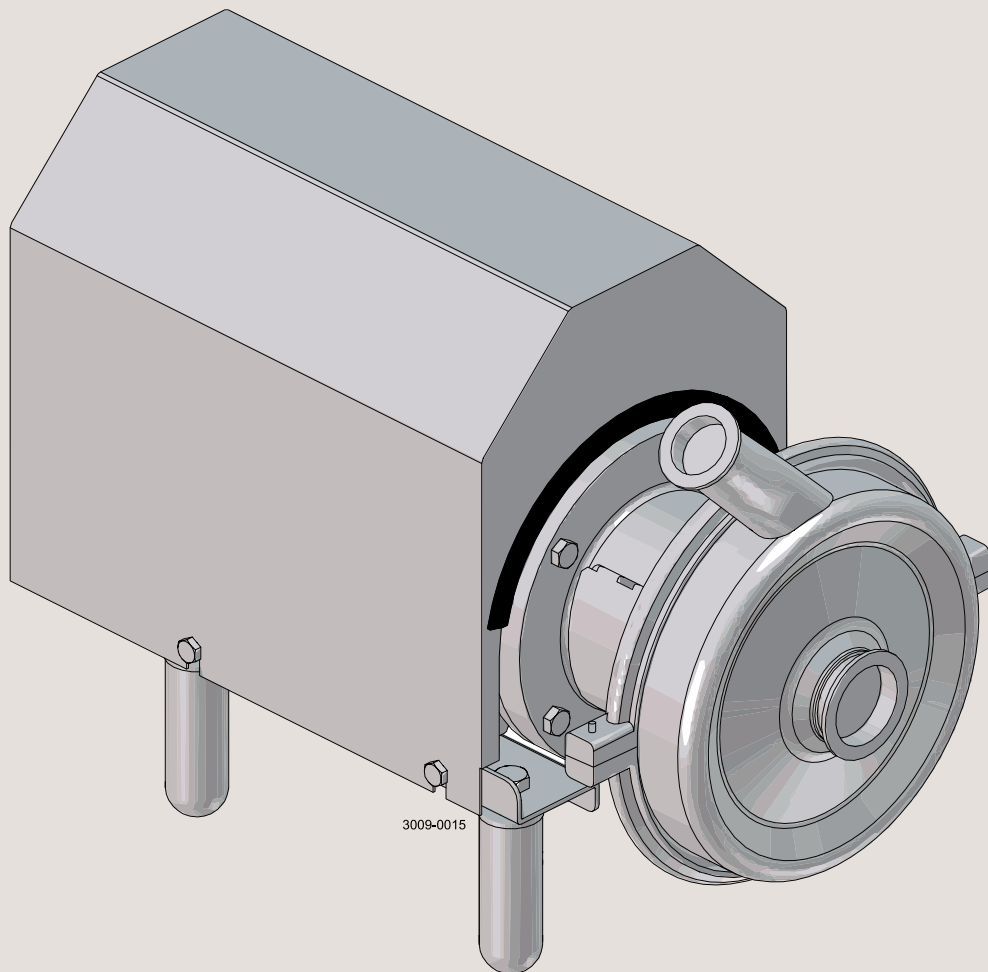




Spare Parts

SolidC UltraPure Pump

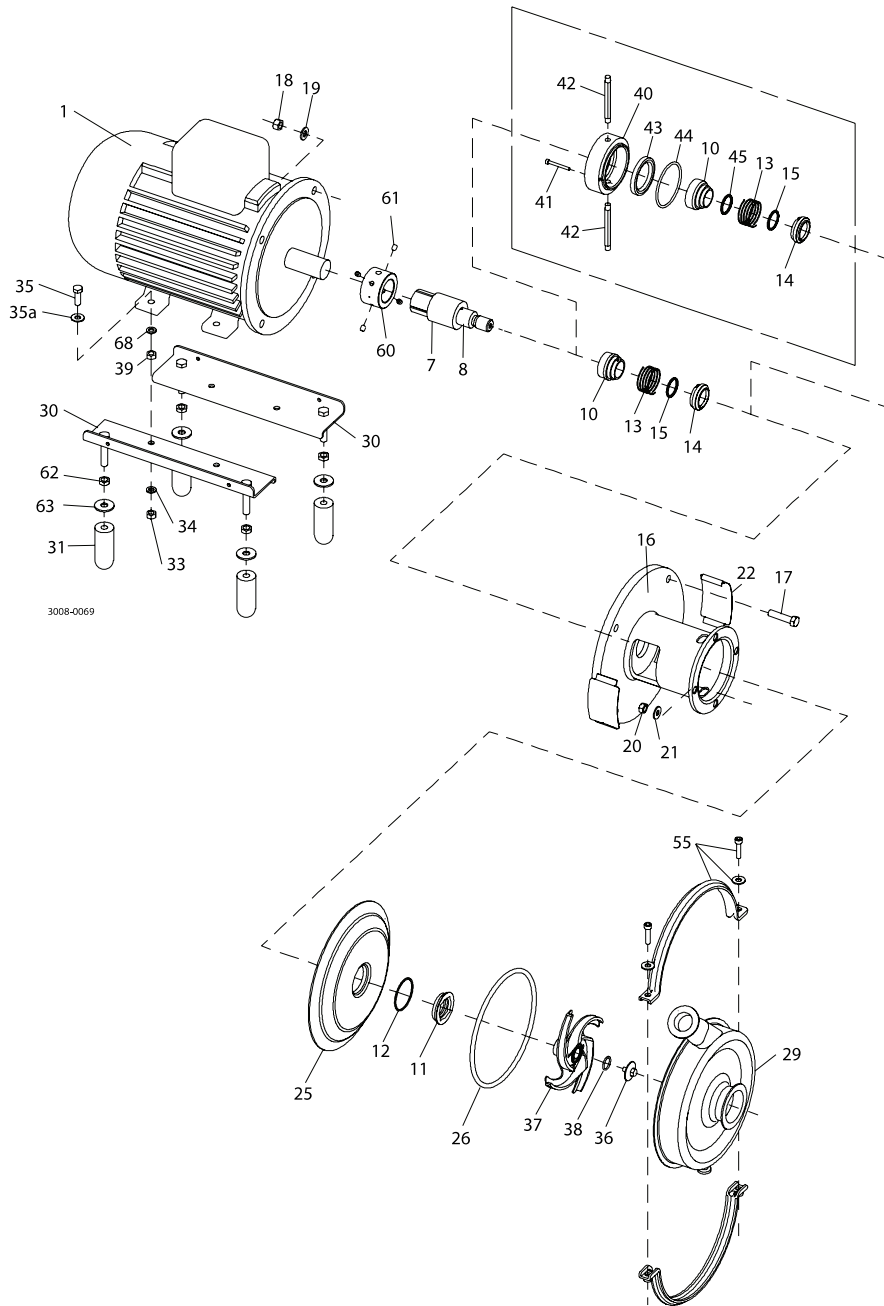


ESE00704-EN13 2025-07

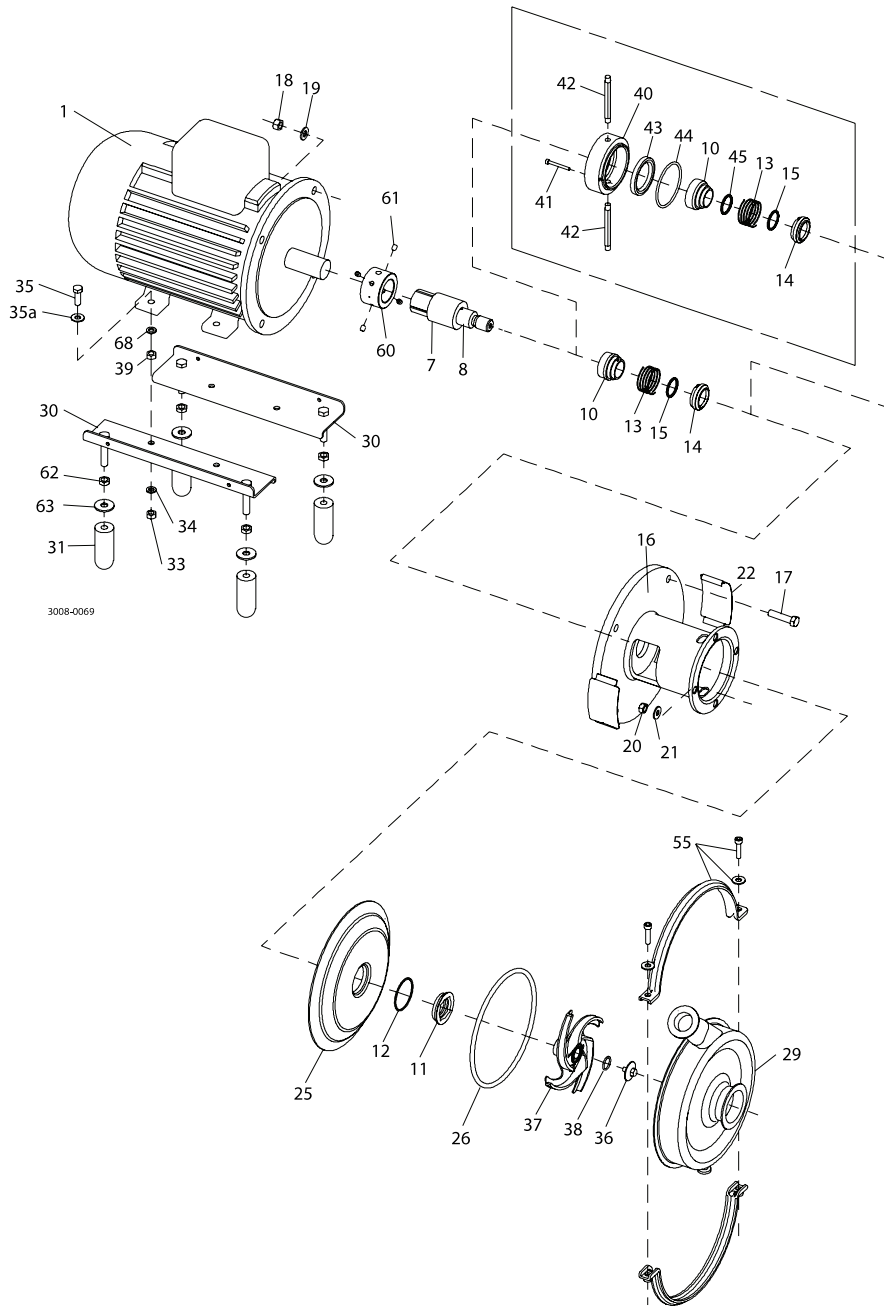
Original manual

The information herein is correct at the time of issue but may be subject to change without prior notice

1. SolidC UltraPure - Wet end	4
2. SolidC UltraPure - Motor dependent parts	6
3. SolidC UltraPure - Shaft seal and service kits	8



Pos	Qty	Denomination	SolidC-1 UP IEC90- IEC112	SolidC-2 UP IEC100- IEC160	SolidC-3 UP IEC132- IEC160	SolidC-4 UP IEC132- IEC160
Casing Mech Ra ≤ 0.5						
29	1	Casing, Tri-clamp 45 deg with 1/2" drain	9613465125	9613465126	9613465127	9613465128
Casing Mech Ra ≤ 0.8						
	1	Casing, Tri-clamp 45 deg with 1/2" drain	9613465133	9613465134	9613465135	9613465136
Casing EP Ra ≤ 0.4						
	1	Casing, Tri-clamp 45 deg with 1/2" drain	9613465141	9613465142	9613465143	9613465144
Note: For article numbers on casing specifications not listed above. Please contact your local Alfa Laval partner.						
Note: Heat certificates can be downloaded from www.alfalaval.com/certificates						
26	◆■	1 O-ring for casing, EPDM				
		1 O-ring for casing, FPM				
		1 O-ring for casing, FEP				
55		1 Clamp set	9612915401	9612915402	9612915403	9612915404
37		1 Impeller, Mech Ra ≤ 0.5	9612911509	9612911809	9612912109	9612912409
		1 Impeller, Mech Ra ≤ 0.8	9612911508	9612911808	9612912108	9612912408
		1 Impeller, EP Ra ≤ 0.4	9612911510	9612911810	9612912110	9612912410
36		1 Impeller screw, Mech Ra ≤ 0.5	9612362709	9612362709	9612362709	9612362709
		1 Impeller screw, Mech Ra ≤ 0.8	9612362708	9612362708	9612362708	9612362708
		1 Impeller screw, EP Ra ≤ 0.4	9612362710	9612362710	9612362710	9612362710
38	◆■	1 O-ring for impeller screw, EPDM				
		1 O-ring for impeller screw, FPM				
		1 O-ring for impeller screw, FEP				
25		1 Backplate compl., Mech Ra ≤ 0.5	9612911413	9612911414	9612911415	9612911416
		1 Backplate compl., Mech Ra ≤ 0.8	9612911417	9612911418	9612911419	9612911420
		1 Backplate compl., EP Ra ≤ 0.4	9612911421	9612911422	9612911423	9612911424
20		4 Nut, for backplate	9611990353	9611990353	9611990353	9611990353
21		4 Washer, for backplate	9611990786	9611990786	9611990786	9611990786



SolidC UltraPure - Motor dependent parts

Pos	Qty	Denomination	IEC90	IEC100	IEC112	IEC132	IEC160	IEC160
7	1	Shaft	9612913201	9612913301	9612913301	9612913401	9612913501	9612913501
16	1	Adaptor	9613459301	9613459302	9613459302	9613459303	9613459304	9613459304
17	4	Screw, for motorflange	9611991374	9611992162	9611992162	9611992162	9611992164	9611992164
18	4	Nut, for motorflange	9611990353	9611990587	9611990587	9611990587	9611992160	9611992160
19	4	Washer, for motorflange	9611991887	9611990676	9611990676	9611990676	9611991886	9611991886
22	2	Safety guard	9612916801	9612916801	9612916801	9612916801	9612916801	9612916801
60	1	Comp. ring	9612914201	9612914202	9612914202	9612914203	9612914401	9612914401
61	4	Screw, for comp. ring	9611994258	9611994258	9611994258	9611994259	9611994259	9611994259
35	4	Screw, for legs	9611993241	9611991911	9611991911	9611991911	9611992162	9611992162
35a	4	Washer, for legs		9611990786	9611990786	9611990786	9611990706	9611990706
34	4	Spring washer, for legs	9611991888	9611991887	9611991887	9611991887	9611990676	9611990676
33	4	Nut, for legs	9611990360	9611990353	9611990353	9611990353	9611990587	9611990587
30	2	Bracket	9612917401	9612917402	9612917403	9612917404	9612917405	9612917406
31	4	Legs	3146012481	3146012481	3146012481	3146012481	3146012481	3146012481
62	4	Nut, for legs	9611991829	9611991829	9611991829	9611991829	9611991829	9611991829
63	4	Washer, for legs	3146001041	3146001041	3146001041	3146001041	3146001041	3146001041
39	4	Spacer, for leg		9615309301				
68	4	Washer, for legs		3146001041				

Pos	Qty	Denomination	IEC90	IEC100	IEC112	IEC132	IEC160	IEC160
2	1	Shroud	9612919101	9612919105	9612919102	9612919103	9612919104	9612919104
2a	1	Edge list for shroud, (included in pos. "shroud")						
3	4	Screw for shroud	9611993240	9611993240	9611993240	9611993240	9611993240	9611993240

Pos	Qty	Denomination	1.5 kW IEC90	2.2 kW IEC90	3 kW IEC100	4 kW IEC112	5.5 kW IEC132
1	1	Motor WEG, 3000rpm	9614303101	9614303102	9614303103	9614303104	9614303105

Pos	Qty	Denomination	7.5 kW IEC132	11 kW IEC160	15 kW IEC160	18.5 kW IEC160	22 kW IEC160
1	1	Motor WEG, 3000rpm	9614303106	9614303107	9614303108	9614303109	9614303110

3 ~, 50 Hz, 220-240VD/380-415VY - Standard ≤ 22 kW
 3 ~, 60 Hz, 460VY - Standard ≤ 22 kW

Pos	Qty	Denomination	
Accessories			
1	1	Tool for seal	9612903601
	1	Impeller gauge	9612912801
Parts for flushed shaft seal			
40	1	Seal housing	9612133901
42	2	Tube	9612358914
41	2	Screw for seal housing	9611990203
Drive ring			
10	1	Drive ring, Single shaft seal	9614206001
	1	Drive ring, Flushed shaft seal	9612926801

Pos	Qty	Denomination	EPDM	FPM	FEP
Single shaft seal					
		■ Complete shaft seal, (standard)			
11	1	Stationary seal ring, SiC			
12	1	O-ring			
13	1	Spring			
14	1	Rotating seal ring, SiC			
15	1	O-ring			
Flushed shaft seal					
		◆ Complete shaft seal			
11	1	Stationary seal ring, SiC			
12	1	O-ring			
13	1	Spring			
14	1	Rotating seal ring, SiC			
15	1	O-ring			
44	1	O-ring for seal housing, EPDM			
45	1	O-ring for drive ring			
43	1	Lip seal			

Alfa Laval Q-doc service-kit

	EPDM	FPM	FEP
Service kit for single shaft seal SiC/SiC			
Service kit, SiC/SiC (Solid C-1 UP)	9611927001	9611927002	9611927003
Service kit, SiC/SiC (Solid C-2 UP)	9611927007	9611927008	9611927009
Service kit, SiC/SiC (Solid C-3 UP)	9611927013	9611927014	9611927015
Service kit, SiC/SiC (Solid C-4 UP)	9611927019	9611927020	9611927021
	EPDM	FPM	FEP

Service kit for flushed shaft seal SiC/SiC			
Service kit, SiC/SiC (Solid C-1 UP)	9611927004	9611927005	9611927006
Service kit, SiC/SiC (Solid C-2 UP)	9611927010	9611927011	9611927012
Service kit, SiC/SiC (Solid C-3 UP)	9611927016	9611927017	9611927018
Service kit, SiC/SiC (Solid C-4 UP)	9611927022	9611927023	9611927024

Note: All service kits are as standard delivered with Q-doc, including 3.1 certification on product wetted steel parts and declarations of conformity.

Parts marked with ◆■ are included in the service kits.

Recommended spare parts: service kits.

Conversion single to flushed shaft seal : Please order flushed service kit + pos. 10 + 40 + 41 + 42

(900626/8)

How to contact Alfa Laval

Contact details for all countries are continually updated on our website.

Please visit www.alfalaval.com to access the information directly.

© Alfa Laval Corporate AB

This document and its contents is owned by Alfa Laval Corporate AB and protected by laws governing intellectual property and thereto related rights. It is the responsibility of the user of this document to comply with all applicable intellectual property laws. Without limiting any rights related to this document, no part of this document may be copied, reproduced or transmitted in any form or by any means (electronic, mechanical, photocopying, recording, or otherwise), or for any purpose, without the expressed permission of Alfa Laval Corporate AB. Alfa Laval Corporate AB will enforce its rights related to this document to the fullest extent of the law, including the seeking of criminal prosecution.