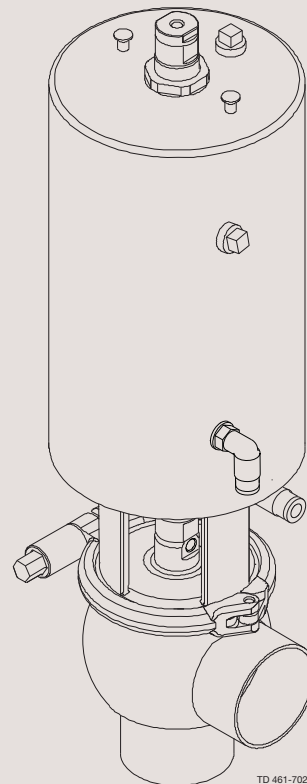
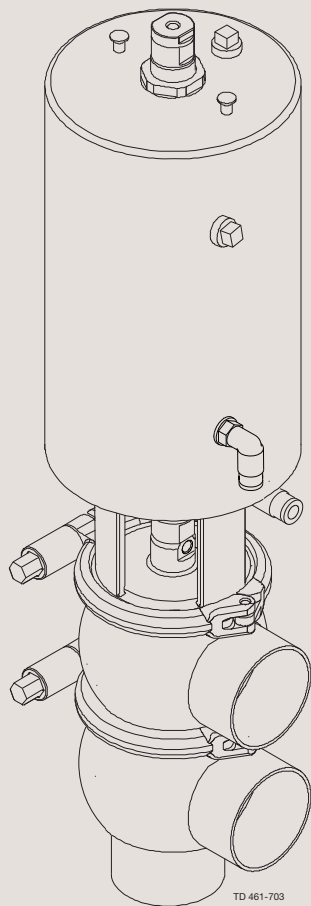




Spare Parts

Unique Single Seat Valve - Two Step - maintainable actuator



ESE00567-EN8 2020-01

Original manual

The information herein is correct at the time of issue but may be subject to change without prior notice

1. Important information	4
2. Unique Single Seat Valve - Two Step 38-101.6mm - shut-off valve	6
3. Unique Single Seat Valve - Two Step 38-101.6mm - change-over valve	10
4. Mounting tool	14

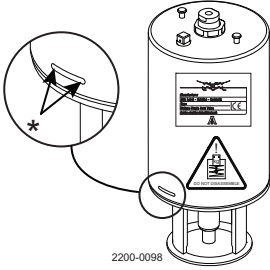
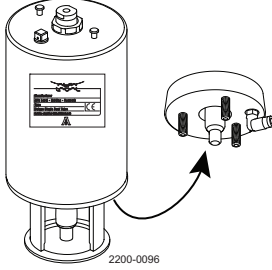

1 Important information

Different actuator types for the SSV valve

In June 2016 the below change was implemented and the "removable yoke with bolts" version is thereby phased out and replaced by the "yoke without bolts" version.

NOTE

It is important to check for warnings marked on the actuator when servicing an actuator- see below table.

<p>Actuator type</p>	<p>Non-maintable actuator Spring under load and can NOT be opened</p>  <p>*) Lock wire opening is locked, when warning is marked on actuator</p>	<p>Fully maintainable actuator Spring cage and can be opened</p> 	<p>Fully maintainable actuator Spring cage and can be opened</p> 
<p>Yoke type</p>	<p>Non-removable yoke</p>	<p>"Removable yoke with bolts". If the yoke with bolts is damaged it has to be replaced by the "yoke without bolts"</p>	<p>"Yoke without bolts"</p>
<p>Service</p>	<p>Not possible to service internally (it is not possible to change piston o-rings)</p>	<p>Yes</p>	<p>Yes</p>
<p>Marked with warnings</p>	<p>Yes</p>	<p>No</p>	<p>No</p>
<p>Year of production</p>	<p>From 2006</p>	<p>From 2006 - June 2016</p>	<p>From June 2016</p>

Unique Single Seat Valve - Two Step 38-101.6mm - shut-off valve

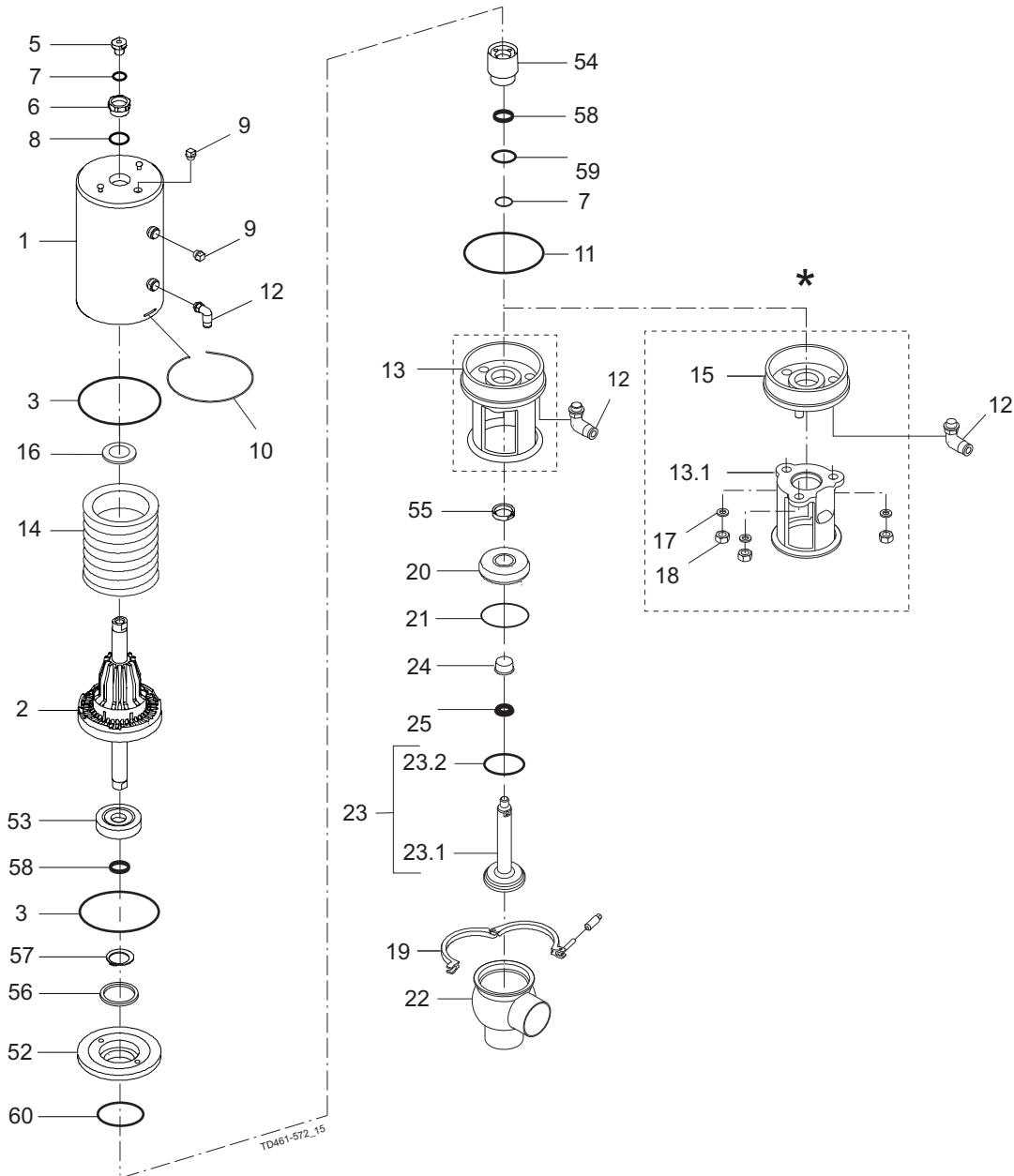
If the actuator is marked with a danger warning do **NOT** attempt to cut the actuator open.



Do **NOT** attempt to disassemble the actuator due to spring under load danger!



Do **NOT** attempt to cut the actuator open, due to spring under load danger!



*) "Remove yoke with bolts" version, produced from 2006 to June 2016.
Replaced by "yoke without bolts" (13)

Unique Single Seat Valve - Two Step 38-101.6mm - shut-off valve

Pos	Qty	Denomination	DN 40 38 mm	DN 50 51 mm	DN 65 63.5 mm	DN 80 76 mm	DN 100 101.6 mm
		Actuator, complete (NC) shut-off valve	9613185401	9613185402	9613185403	9613185404	9613185405
		Actuator, complete (NO) change-over valve	9613185429	9613185430	9613185431	9613185432	9613185433
		Actuator, complete (NC) change-over valve	9613185419	9613185420	9613185421	9613185422	9613185423
1	1	Cylinder				9613167706	9613167706
2	1	Piston	9613132304	9613132304	9613132304	9613132405	9613132405
3	□ 2	O-ring					
5	1	Adapter, plastic (- 0115)					
	1	Adapter, steel (0115 - 0518)					
	1	Adapter, steel (0518 -)	9615374701	9615374701	9615374701	9615374701	9615374701
6	□ 1	Bushing					
7	□ 2	O-ring					
8	□ 1	O-ring					
9	2	Plug	9613414101	9613414101	9613414101	9613414101	9613414101
10	1	Lock wire	9613143202	9613143202	9613143202	9613143203	9613143203
11	□ 1	O-ring					
12	2	Air fitting	9611991988	9611991988	9611991988	9611991988	9611991988
13	1	Yoke without bolts (0616 -)	9615245401	9613154402	9613154502	9613154603	9613154703
14	1	Spring assembly	9613132502	9613132502	9613132502	9613132503	9613132503
16	□ 1	Support disc					
52	1	Piston	9613167801	9613167801	9613167801	9613167901	9613167901
53	1	Thrust plate	9613168201	9613168201	9613168201	9613168201	9613168201
54	1	Guide	9613168001	9613168001	9613168001	9613168101	9613168101
55	1	Nut	9613168301	9613168301	9613168301	9613168301	9613168301
56	2	Spacer, (only for shut-off valve)	9613168402				
	3	Spacer, (only for shut-off valve)		9613168402	9613168402	9613168402	9613168402
	1	Spacer, (only for shut-off valve)		9613168401	9613168401		
	2	Spacer, (only for shut-off valve)				9613168401	9613168401
57	1	Lock ring	51997509	51997509	51997509	51997509	51997509
58	2	Guide ring	9613008424	9613008424	9613008424	9613008424	9613008424
59	□ 1	O-ring					
60	□ 1	O-ring					

Removeable yoke with bolts - OBSOLETE

use position 13

13.1	1	Yoke (- 0616)					
15	1	Bottom (- 0616)					
17	3	Washer (- 0616)					
18	3	Nut (- 0616)					

Unique Single Seat Valve - Two Step 38-101.6mm - shut-off valve

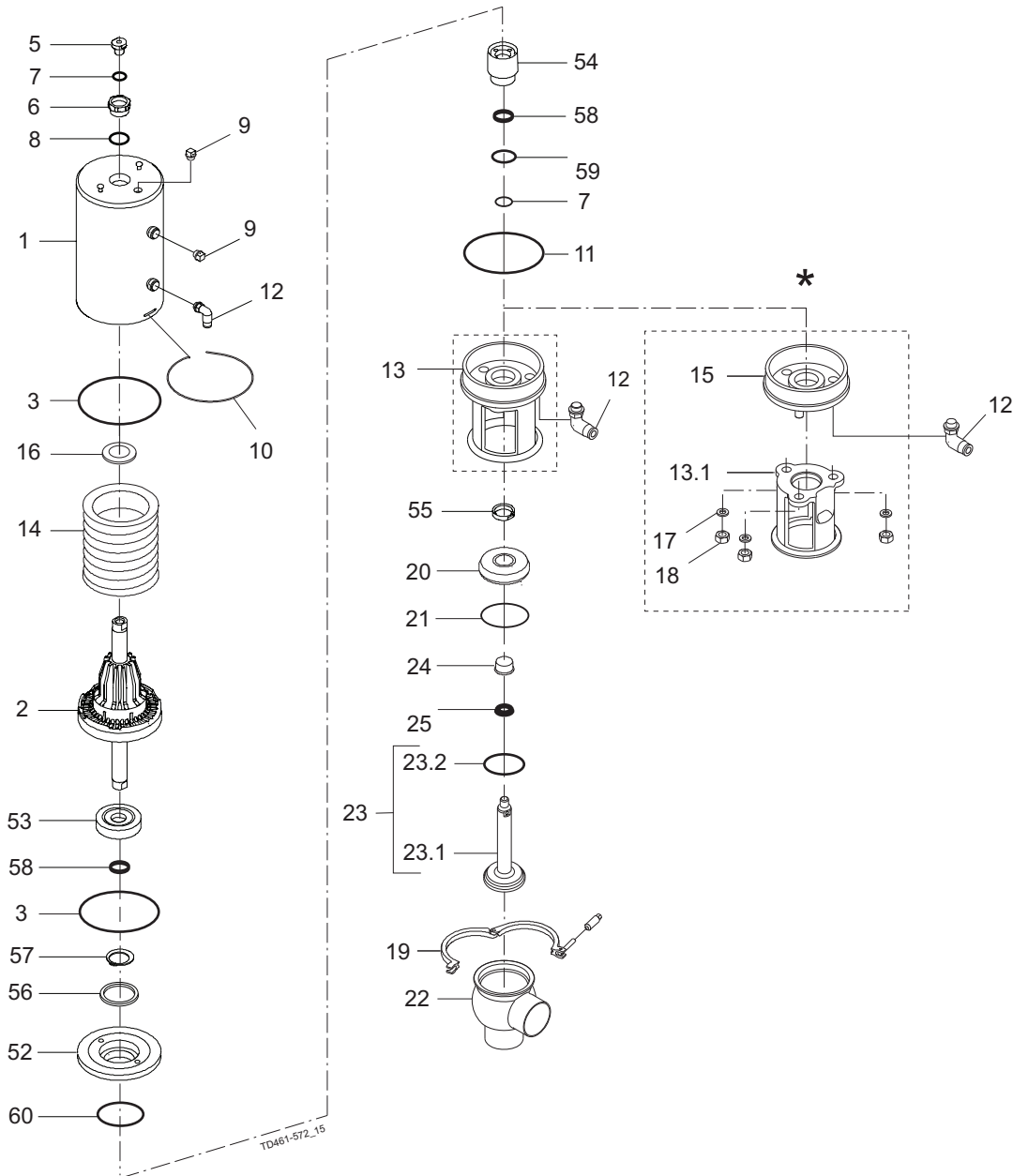
If the actuator is marked with a danger warning do **NOT** attempt to cut the actuator open.



Do **NOT** attempt to disassemble the actuator due to spring under load danger!



Do **NOT** attempt to cut the actuator open, due to spring under load danger!



*) "Remove yoke with bolts" version, produced from 2006 to June 2016.
 Replaced by "yoke without bolts" (13)

Unique Single Seat Valve - Two Step 38-101.6mm - shut-off valve

Pos	Qty	Denomination	DN 40	DN 50	DN 65	DN 80	DN 100
			38 mm	51 mm	63.5 mm	76 mm	101.6 mm
Clamp							
19	1	Clamp	9612939303	9612939304	9612939305	9612939306	9612939307
Bonnet							
20	1	Bonnet	9613127102	9613127103	9613127104	9613127105	9613127106
21	♦	1 O-ring, EPDM (standard)					
		1 O-ring, HNBR					
		1 O-ring, FPM					
		1 O-ring, set (10 pcs.) EPDM	9614059422	9614059425	9614059428	9614059431	9614059434
		1 O-ring , set (10 pcs.) HNBR	9614059423	9614059426	9614059429	9614059432	9614059435
		1 O-ring, set (10 pcs.) FPM	9614059424	9614059427	9614059430	9614059433	9614059436
24	1	Bushing	9613125002	9613125002	9613125002	9613125002	9613125002
25	♦	1 Lip seal , EPDM (standard)					
		1 Lip seal , HNBR					
		1 Lip seal, FPM					
		1 Lip seal, set (10 pcs.) EPDM	9614059419	9614059419	9614059419	9614059419	9614059419
		1 Lip seal, set (10 pcs.) HNBR	9614059420	9614059420	9614059420	9614059420	9614059420
		1 Lip seal, set (10 pcs.) FPM	9614059421	9614059421	9614059421	9614059421	9614059421
Valve body							
22	1	Valve body, lower, 2 ports ISO	9613139503	9613139505	9613139507	9613139509	9613139511
	1	Valve body, lower, 3 ports ISO	9613139504	9613139506	9613139508	9613139510	9613139512
	1	Valve body, lower, 2 ports DIN	9613139603	9613139605	9613139607	9613139609	9613139611
	1	Valve body, lower, 3 ports DIN	9613139604	9613139606	9613139608	9613139610	9613139612
Valve plug							
23	1	Plug, shut off, ISO, complete, EPDM (standard) ..	9613138802	9613138803	9613138804	9613138805	9613138806
	1	Plug, shut off, ISO, complete, HNBR	9613138814	9613138815	9613138816	9613138817	9613138818
	1	Plug, shut off, ISO, complete, FPM	9613138826	9613138827	9613138828	9613138829	9613138830
	1	Plug, shut off, DIN, complete, EPDM (standard) ..	9613138808	9613138809	9613138810	9613138811	9613138812
	1	Plug, shut off, DIN, complete, HNBR	9613138820	9613138821	9613138822	9613138823	9613138824
	1	Plug, shut off, DIN, complete, FPM	9613138832	9613138833	9613138834	9613138835	9613138836
23.1	1	Plug, shut off, ISO	9613139802	9613139803	9613139804	9613139805	9613139806
	1	Plug, shut off , DIN	9613139808	9613139809	9613139810	9613139811	9613139812
23.2♦	1	Plug seal, EPDM (standard)					
	1	Plug seal , HNBR					
	1	Plug seal , FPM					
	1	Plug seal, set (10 pcs.) EPDM	9614059404	9614059407	9614059410	9614059413	9614059416
	1	Plug seal, set (10 pcs.) HNBR	9614059405	9614059408	9614059411	9614059414	9614059417
	1	Plug seal , set (10 pcs.) FPM	9614059406	9614059409	9614059412	9614059415	9614059418
			DN 40	DN 50	DN 65	DN 80	DN 100
			38 mm	51 mm	63.5 mm	76 mm	101.6 mm

Service kits for actuator

□	Service kit, actuator	9611926738	9611926738	9611926738	9611926739	9611926739
---	-----------------------------	------------	------------	------------	------------	------------

Service kit for product wetted parts

Service kit, EPDM	9611926502	9611926503	9611926504	9611926505	9611926506
Service kit, HNBR	9611926508	9611926509	9611926510	9611926511	9611926512
Service kit, FPM	9611926514	9611926515	9611926516	9611926517	9611926518

Parts marked with □ are included in the service kits (actuator)

Parts marked with ♦ are included in the service kits (product wetted parts)

Tool for bushing (pos. 24) 9613160901

Unique Single Seat Valve - Two Step 38-101.6mm - change-over valve

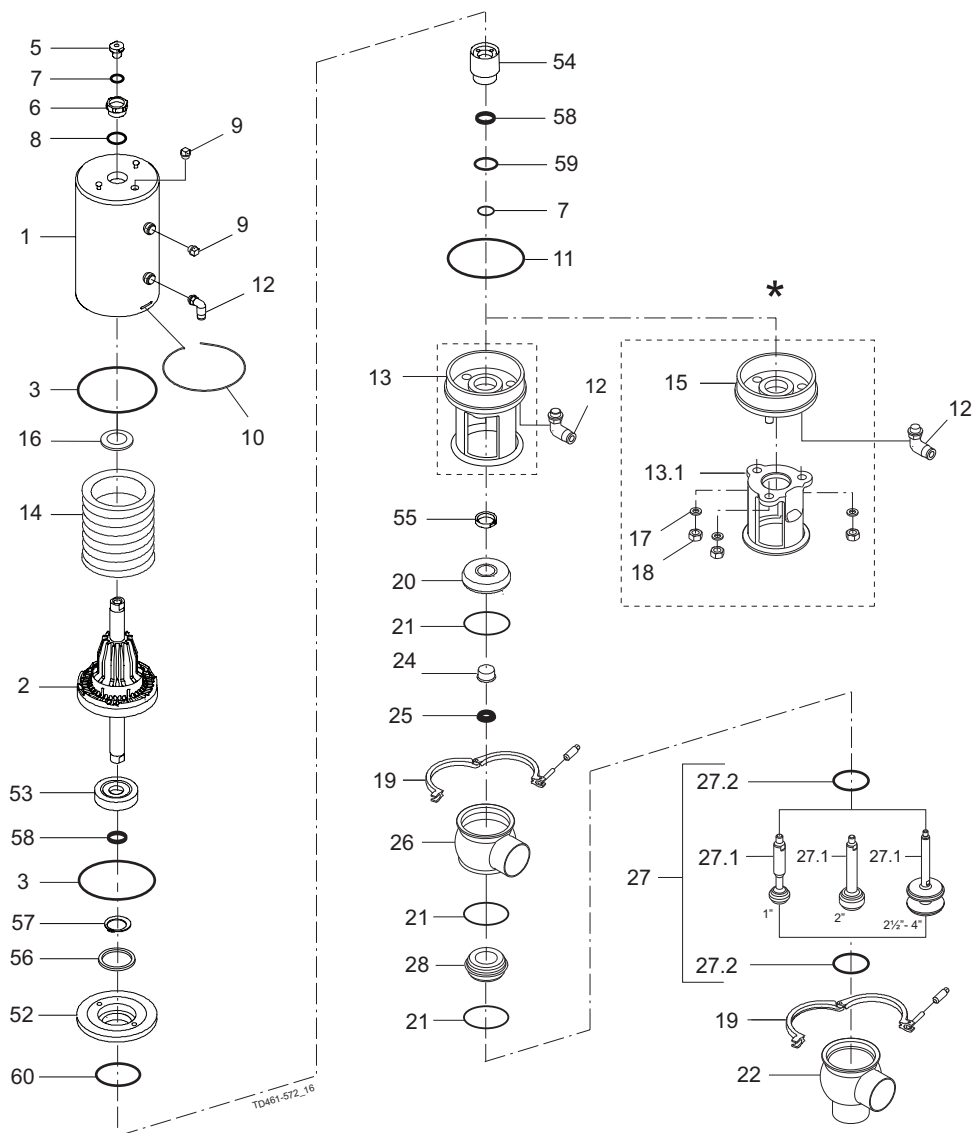
If the actuator is marked with a danger warning do **NOT** attempt to cut the actuator open.



Do **NOT** attempt to disassemble the actuator due to spring under load danger!



Do **NOT** attempt to cut the actuator open, due to spring under load danger!



*) "Remove yoke with bolts" version, produced from 2006 to June 2016.
Replaced by "yoke without bolts" (13)

Unique Single Seat Valve - Two Step 38-101.6mm - change-over valve

Pos	Qty	Denomination	DN 40 38 mm	DN 50 51 mm	DN 65 63.5 mm	DN 80 76 mm	DN 100 101.6 mm
1		Actuator , - complete (NC) shut-off valve	9613185401	9613185402	9613185403	9613185404	9613185405
		Actuator , - complete (NO) change-over valve	9613185429	9613185430	9613185431	9613185432	9613185433
		Actuator , - complete (NC) change-over valve	9613185419	9613185420	9613185421	9613185422	9613185423
2	1	Cylinder	9613167705	9613167705	9613167705	9613167706	9613167706
3	1	Piston	9613132304	9613132304	9613132304	9613132405	9613132405
5	2	O-ring					
	1	Adapter, plastic (- 0115)					
	1	Adapter, steel (0115 - 0518)					
	1	Adapter, steel (0518 -)	9615374701	9615374701	9615374701	9615374701	9615374701
6	1	Bushing					
7	2	O-ring					
8	1	O-ring					
9	2	Plug	9613414101	9613414101	9613414101	9613414101	9613414101
10	1	Lock wire	9613143202	9613143202	9613143202	9613143203	9613143203
11	1	O-ring					
12	2	Air fitting	9611991988	9611991988	9611991988	9611991988	9611991988
13	1	Yoke without bolts , (0616 -)	9615245401	9613154402	9613154502	9613154603	9613154703
14	1	Spring assembly	9613132502	9613132502	9613132502	9613132503	9613132503
16	1	Support disc					
52	1	Piston	9613167801	9613167801	9613167801	9613167901	9613167901
53	1	Thrust plate	9613168201	9613168201	9613168201	9613168201	9613168201
54	1	Guide	9613168001	9613168001	9613168001	9613168101	9613168101
55	1	Nut	9613168301	9613168301	9613168301	9613168301	9613168301
56	2	Spacer (only for shut-off valve)	9613168402				
57	1	Lock ring	51997509	51997509	51997509	51997509	51997509
58	2	Guide ring	9613008424	9613008424	9613008424	9613008424	9613008424
59	1	O-ring					
60	1	O-ring					

Removeable yoke with bolts - OBSOLETE

use position 13

13.1	1	Yoke , (- 0616)					
15	1	Bottom , (- 0616)					
17	3	Washer , (- 0616)					
18	3	Nut , (- 0616)					

Unique Single Seat Valve - Two Step 38-101.6mm - change-over valve

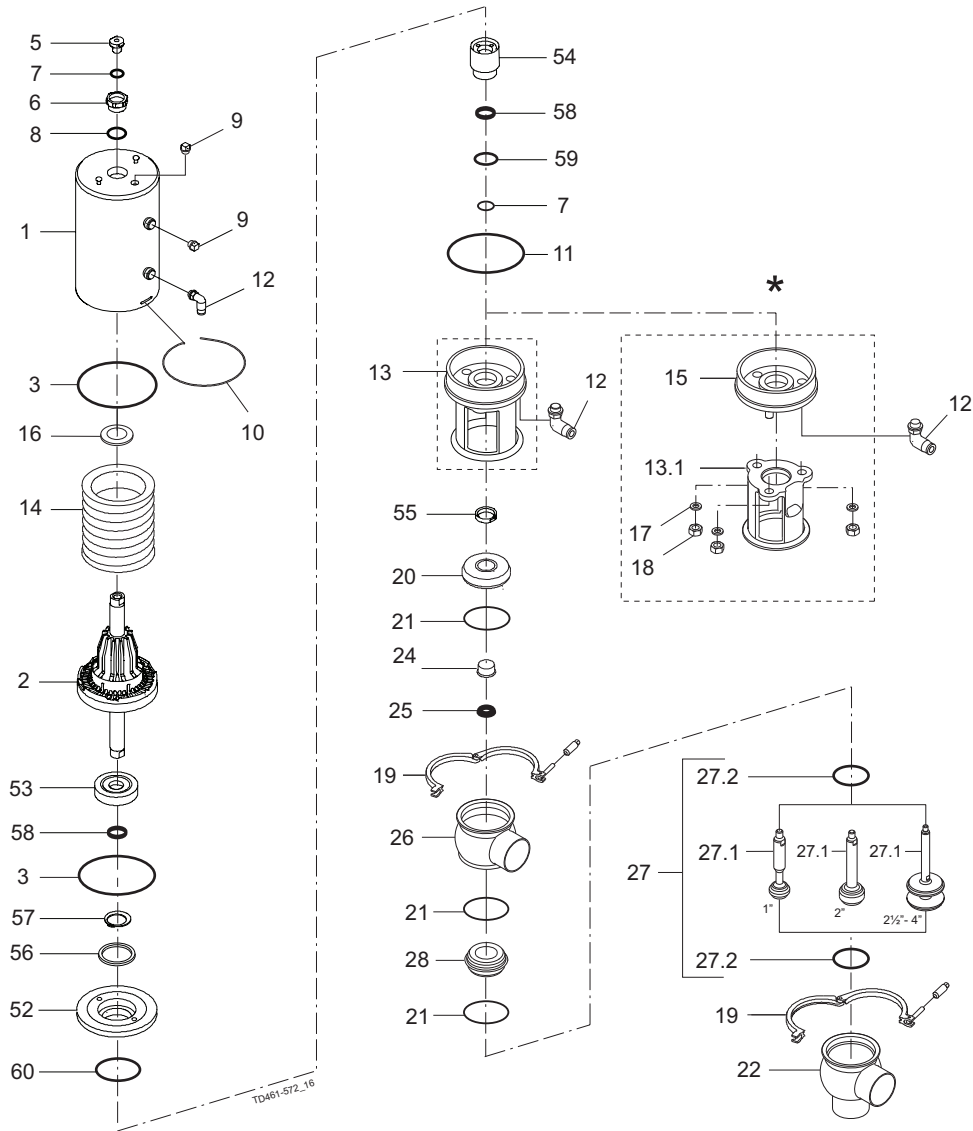
If the actuator is marked with a danger warning do **NOT** attempt to cut the actuator open.



Do **NOT** attempt to disassemble the actuator due to spring under load danger!



Do **NOT** attempt to cut the actuator open, due to spring under load danger!



*) "Remove yoke with bolts" version, produced from 2006 to June 2016.
Replaced by "yoke without bolts" (13)

Unique Single Seat Valve - Two Step 38-101.6mm - change-over valve

Pos	Qty	Denomination	DN 40 38 mm	DN 50 51 mm	DN 65 63.5 mm	DN 80 76 mm	DN 100 101.6 mm
Clamp							
19	2	Clamp	9612939303	9612939304	9612939305	9612939306	9612939307
Bonnet							
20	1	Bonnet	9613127102	9613127103	9613127104	9613127105	9613127106
21	♦ 3	O-ring, EPDM (standard)					
	3	O-ring, HNBR					
	3	O-ring, FPM					
	3	O-ring, set (10 pcs.) , EPDM	9614059422	9614059425	9614059428	9614059431	9614059434
	3	O-ring, set (10 pcs.) , HNBR	9614059423	9614059426	9614059429	9614059432	9614059435
	3	O-ring, set (10 pcs.) , FPM	9614059424	9614059427	9614059430	9614059433	9614059436
24	1	Bushing	9613125002	9613125002	9613125002	9613125002	9613125002
25	♦ 1	Lip seal, EPDM (standard)	9613120501	9613120501	9613120501	9613120501	9613120501
	1	Lip seal, HNBR	9613120502	9613120502	9613120502	9613120502	9613120502
	1	Lip seal, FPM	9613120503	9613120503	9613120503	9613120503	9613120503
	1	Lip seal, set (10 pcs.) , EPDM	9614059419	9614059419	9614059419	9614059419	9614059419
	1	Lip seal, set (10 pcs.) , HNBR	9614059420	9614059420	9614059420	9614059420	9614059420
	1	Lip seal, set (10 pcs.) , FPM	9614059421	9614059421	9614059421	9614059421	9614059421
Valve body							
26	1	Valve body, upper, 1 port ISO	9613139303	9613139305	9613139307	9613139309	9613139311
	1	Valve body, upper, 2 ports ISO	9613139304	9613139306	9613139308	9613139310	9613139312
	1	Valve body, upper, 1 port DIN	9613139403	9613139405	9613139407	9613139409	9613139411
	1	Valve body, upper, 2 ports DIN	9613139404	9613139406	9613139408	9613139410	9613139412
22	1	Valve body, lower, 2 ports ISO	9613139503	9613139505	9613139507	9613139509	9613139511
	1	Valve body, lower, 3 ports ISO	9613139504	9613139506	9613139508	9613139510	9613139512
	1	Valve body, lower, 2 ports DIN	9613139603	9613139605	9613139607	9613139609	9613139611
	1	Valve body, lower, 3 ports DIN	9613139604	9613139606	9613139608	9613139610	9613139612
Valve plug							
27	1	Plug, change over, ISO complete, EPDM (standard)	9613127702	9613127703	9613127704	9613127705	9613127706
	1	Plug, change over, ISO complete, HNBR	9613127714	9613127715	9613127716	9613127717	9613127718
	1	Plug, change over, ISO complete, FPM	9613127726	9613127727	9613127728	9613127729	9613127730
	1	Plug, change over, DIN complete, EPDM (standard)	9613127708	9613127709	9613127710	9613127711	9613127712
	1	Plug, change over, DIN complete, HNBR	9613127720	9613127721	9613127722	9613127723	9613127724
	1	Plug, change over, DIN complete, FPM	9613127732	9613127733	9613127734	9613127735	9613127736
27.1	1	Plug, change over, ISO	9613140002	9613140003	9613140004	9613140005	9613140006
	1	Plug, change over, DIN	9613140008	9613140009	9613140010	9613140011	9613140012
27.2♦	2	Plug seal, EPDM (standard)					
	2	Plug seal, HNBR					
	2	Plug seal, FPM					
	2	Plug seal, set (10 pcs.) , EPDM	9614059404	9614059407	9614059410	9614059413	9614059416
	2	Plug seal, set (10 pcs.) , HNBR	9614059405	9614059408	9614059411	9614059414	9614059417
	2	Plug seal, set (10 pcs.) , FPM	9614059406	9614059409	9614059412	9614059415	9614059418
			DN 40 38 mm	DN 50 51 mm	DN 65 63.5 mm	DN 80 76 mm	DN 100 101.6 mm

Recommended spare parts: Service kits.

□	Service kit, actuator	9611926738	9611926738	9611926738	9611926739	9611926739
---	-----------------------------	------------	------------	------------	------------	------------

Service kit for product wetted parts

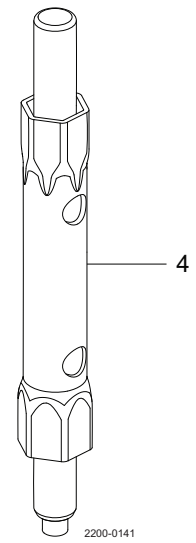
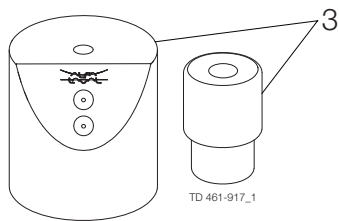
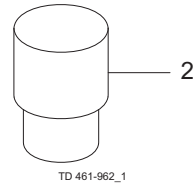
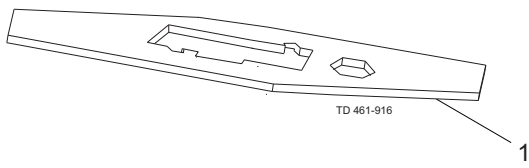
Service kit, EPDM	9611926580	9611926581	9611926582	9611926583	9611926584
Service kit, HNBR	9611926586	9611926587	9611926588	9611926589	9611926590
Service kit, FPM	9611926592	9611926593	9611926594	9611926595	9611926596

Parts marked with □ are included in the service kits (actuator)

Parts marked with ♦ are included in the service kits (product wetted parts)

Tool for bushing (pos. 24) 9613160901

TD900-467/5



Mounting tool

Pos	Qty	Denomination	DN 25-65	DN 80-150
			25-63.5 mm	76.1-101.6 mm
1	1	Service tool only for maintainable actuator	3135302191	9612454001
TD 900-512				

Pos	Qty	Denomination	DN 25-100
			25-101.6 mm
2	1	Tool for bushing (pos. 24)	9613160901
TD 900-518			

Pos	Qty	Denomination	DN 25	DN 40	DN 50	DN 65	DN 80	DN 100
			25 mm	38 mm	51 mm	63.5 mm	76.1 mm	101.6 mm
3	1	Mounting tool for elastomer plug seals	9614060001	9614060002	9614060003	9614060003	9614060004	9614060004
TD 900-702								

Pos	Qty	Denomination	DN 25-100
			25-101.6 mm
4	1	Tool for actuator bushing (pos. 6)	9614198401
TD 900-701			

Pos	Qty	Denomination	DN 25-150
101	1	Lifting tool complete	3135308001
103	1	Clip	3135307301

How to contact Alfa Laval

Contact details for all countries are continually updated on our website.

Please visit www.alfalaval.com to access the information directly.

© Alfa Laval Corporate AB

This document and its contents is owned by Alfa Laval Corporate AB and protected by laws governing intellectual property and thereto related rights. It is the responsibility of the user of this document to comply with all applicable intellectual property laws. Without limiting any rights related to this document, no part of this document may be copied, reproduced or transmitted in any form or by any means (electronic, mechanical, photocopying, recording, or otherwise), or for any purpose, without the expressed permission of Alfa Laval Corporate AB. Alfa Laval Corporate AB will enforce its rights related to this document to the fullest extent of the law, including the seeking of criminal prosecution.